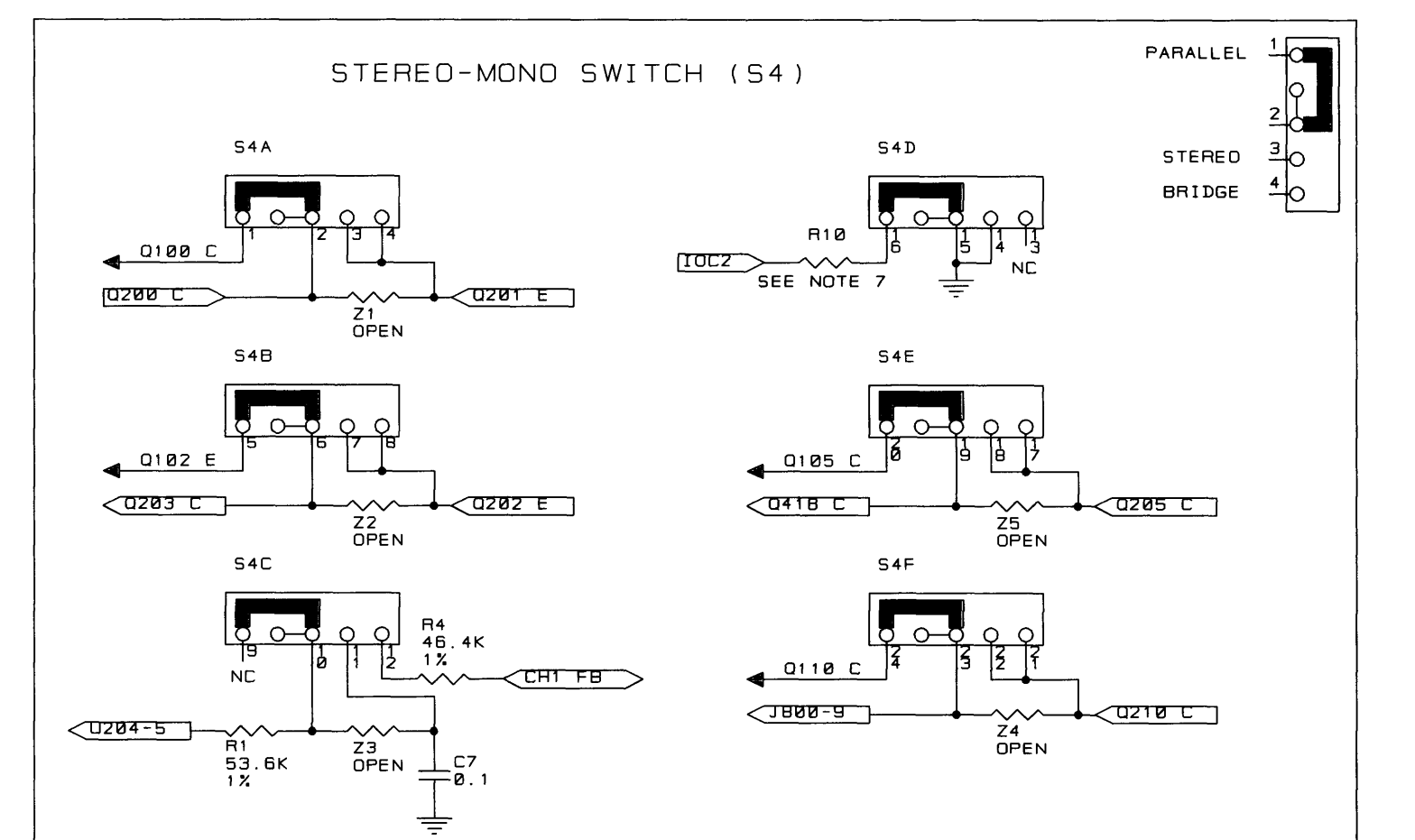
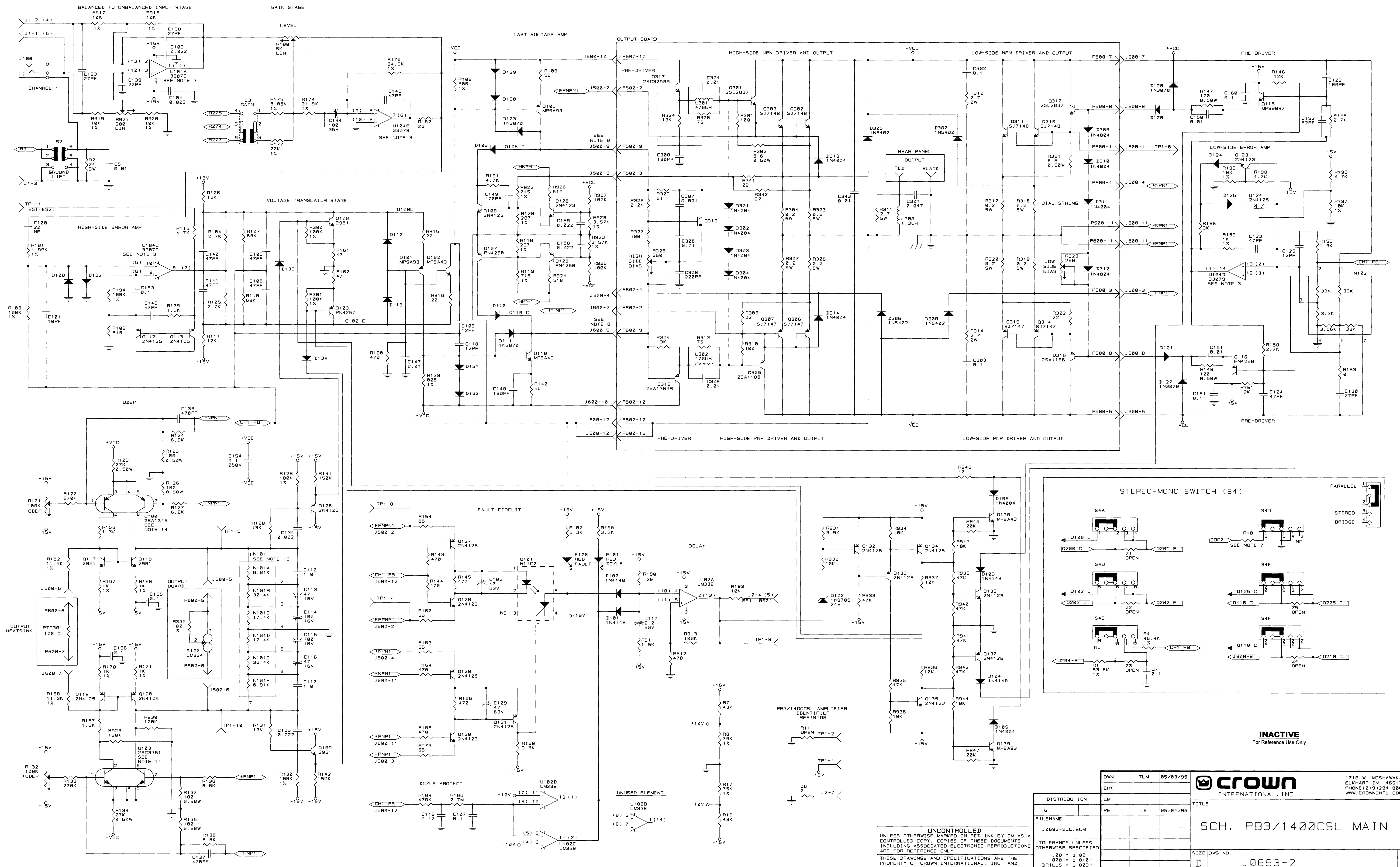


E.C.N.		ZONE	REV	DESCRIPTION	DATE	APPROVED
DWN	CHK	CM	PE			
95-212	A			C102, C202, C103, C203 WERE 100MFD	05/04/95	LCD
95-118	B			REVISED NOTE 15 Q43400-3 WAS REV. A	02/08/95	TLM
00N0092	C			CHANGE Q108, 126 TO C 7450-B. CHANGE R109 TO 3.3K. CHANGE U100 TO 101374-1. CHANGE U103 TO 101375-1.	02/08/00	JAW



INACTIVE
For Reference Use Only

UNCONTROLLED
UNLESS OTHERWISE MARKED IN RED INK BY CM AS A CONTROLLED COPY, COPIES OF THESE DOCUMENTS INCLUDING ASSOCIATED ELECTRONIC REPRODUCTIONS ARE FOR REFERENCE ONLY.
THESE DRAWINGS AND SPECIFICATIONS ARE THE PROPERTY OF CROWN INTERNATIONAL, INC. AND SHALL NOT BE REPRODUCED, COPIED, OR USED AS THE BASIS FOR THE MANUFACTURE OR SALE OF APPARATUS OR DEVICES WITHOUT PERMISSION.

DISTRIBUTION	CM	TS	05/03/95		1718 W. MISHAWAKA RD. ELKHART, IN. 46517 PHONE (219) 294-9800 WWW.CROWNINTL.COM
G	PE	TS	05/04/95		
FILENAME	J0693-2.C.SCM	TITLE	SCH, PB3/1400CSL MAIN		
TOLERANCE UNLESS OTHERWISE SPECIFIED	00 = ±0.2"	SIZE DWG NO.	D J0693-2		
000 = ±0.01"	DRILLS = ±0.03"	SCALE	NONE	PROJ. NO.	MD33050
DO NOT SCALE DRAWING		SHEET	1 OF 2		

D

D

C

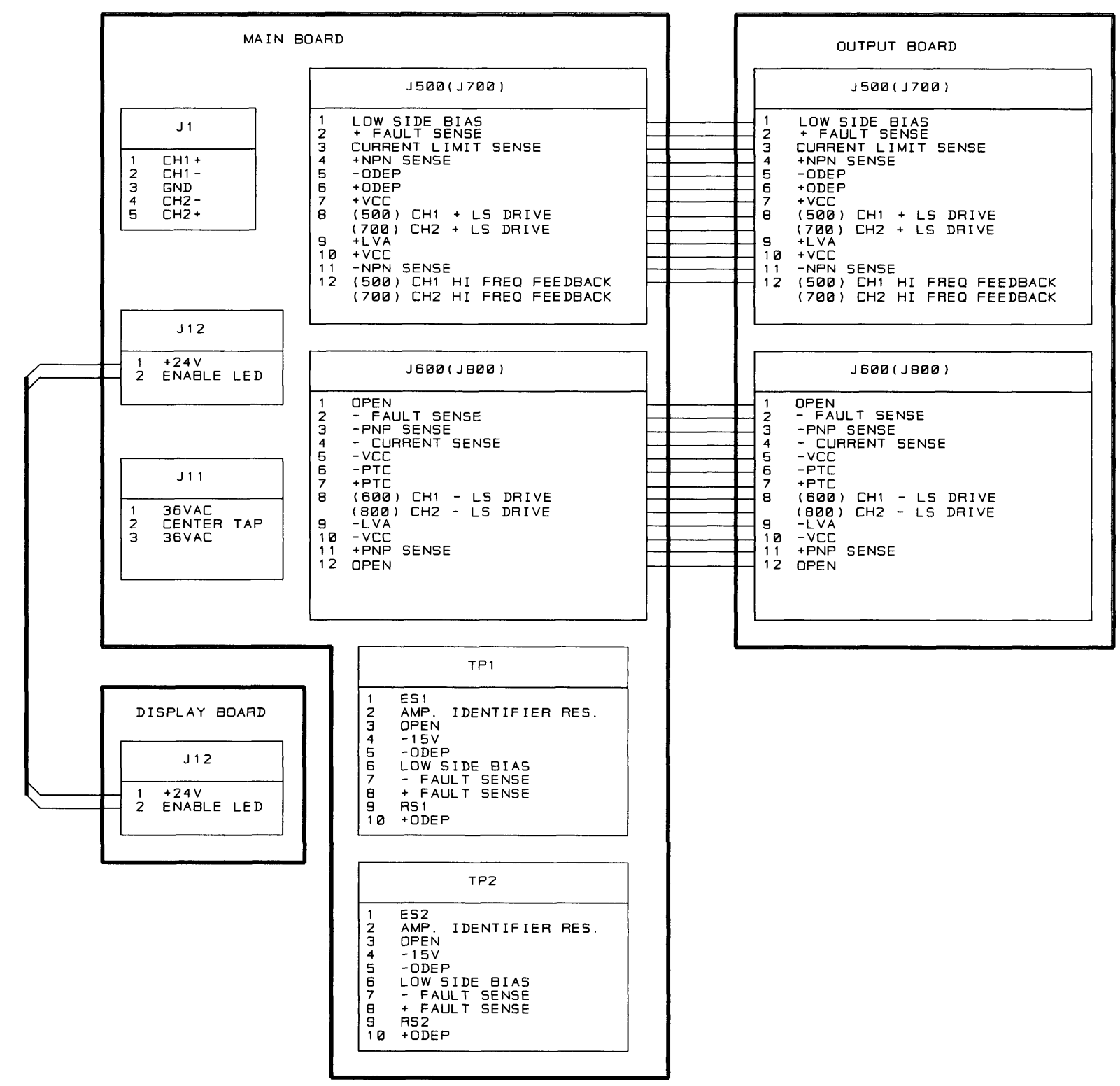
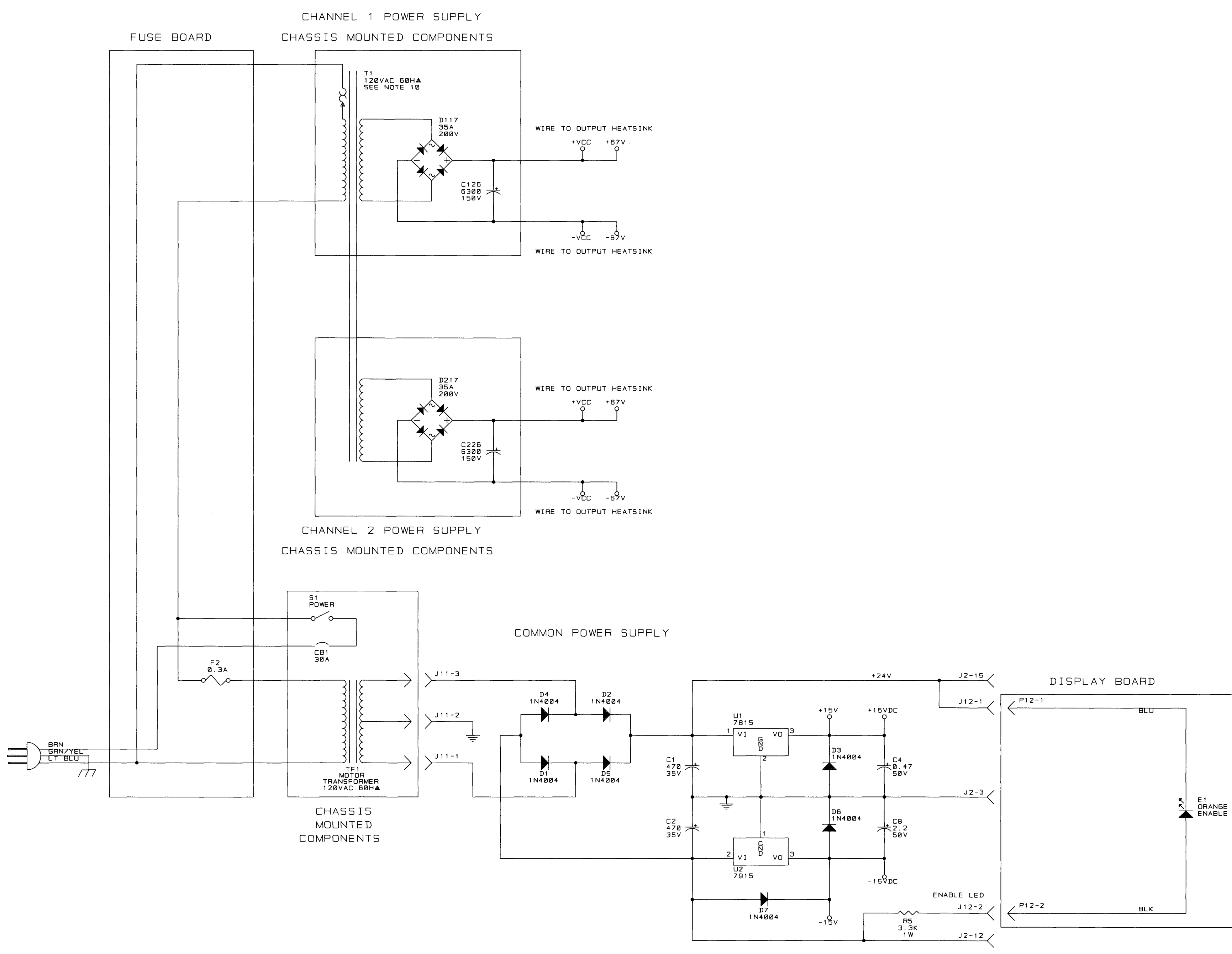
C

B

B

A

A



- NOTES :
1. ALL RESISTORS ARE IN OHMS, 1/4W, 5% UNLESS OTHERWISE SPECIFIED.
 2. ALL CAPACITORS ARE IN MICROFARADS UNLESS OTHERWISE SPECIFIED.
 3. VALUES SELECTED AS NEEDED FOR DIFFERENT OP AMP CHARACTERISTICS.
 4. CHANNEL 2 IS SHOWN ON SHEET 3. WHEN SHEET 3 IS NOT PRINTED, THEN FOR CHANNEL 2 ADD 100 TO REFERENCE DESIGNATORS. (EXAMPLE: CHANNEL 1 R101 WOULD BE CHANNEL 2 R201.) CONNECTOR AND IC PIN NUMBERS FOR CHANNEL 2 ARE SHOWN IN PARENTHESES WHEN THEY DIFFER FROM CHANNEL 1. EXCEPTIONS ARE CHAN 1 R2 CORRESPONDS TO CHAN 2 R3, CHAN 1 C5 CORRESPONDS TO CHAN 2 C6, CHAN 1 J500 CORRESPONDS TO CHAN 2 J700, AND CHAN 1 J600 CORRESPONDS TO CHAN 2 J800.
 5. ALL DIODES ARE 1N4148 UNLESS OTHERWISE SPECIFIED.
 6. ON J500 AND J700 THE STRIPED WIRE GOES TO PIN 10 OF THE BOARD AND THE PIN NUMBERS MOLDED ON THE CABLE SOCKET ARE REVERSED FROM THE PIN NUMBERS ON THE BOARD AND THE SCHEMATIC.
 7. STANDARD UNIT HAS R10 OPEN, INSTALL JUMPER IN R10 TO DISABLE CHANNEL 2 LOG LIGHT IN PARALLEL MONO MODE.
 8. POWER SUPPLY VOLTAGES SHOWN UNDER NO LOAD/NO SIGNAL CONDITIONS.
 9. CHANNEL 2 PRE-DRIVER BASES LOOP THROUGH STEREO-MONO SWITCH S100, SECTIONS E AND F.
 10. T1 INCLUDES AN INTERNAL THERMAL SWITCH.
 11. R330 VALUE DEPENDS ON GRADE OF SENSOR S100 AS FOLLOWS:

GRADE OF SENSOR S100	VALUE OF RESISTOR R330
BLUE	107 OHM 1% 0.25W
GREEN	102 OHM 1% 0.25W
YELLOW	100 OHM 1% 0.25W
 12. J2 IS LEFT EMPTY.
 13. ALTERNATE 1/4W 1% RESISTORS ARE DESIGNATED AS N101A, N101B ETC.
 14. NEC COMPONENTS ARE SHOWN. ALTERNATE TOSHIBA PARTS ARE: NPN P/N 2SC3381 PNP P/N 2SA1349
 15. SCHEMATIC APPLIES TO AMPLIFIERS USING MAIN BOARD D827-4 / MODULE Q43400-3 REV.B AND OUTPUT BOARD P10429-2 / MODULE Q43339-3 (REV A).

INACTIVE
For Reference Use Only