

# Technical Manual

# JBL TR225



## SPECIFICATIONS

### ACOUSTIC & ELECTRICAL SPECIFICATIONS:

- Nominal Impedance: 4 ohm
- Power Capacity: Continuous Pink Noise: 450W  
Peak Pink Noise: 1800W
- Frequency Range: 50 Hz to 16 kHz (-10dB)
- Sensitivity: 102 dB SPL\*
- Crossover Frequencies: 750 Hz - 1.3 kHz

### SYSTEM COMPONENTS:

- Cabinet: CTR225
- Grille: GTR225 (128-00093-60)
- Low Frequency Transducer: 380mm (15 in.) Cone Transducer (124-67001-00X) (2)
- DC Resistance: 5.1 ohm
- High Frequency Transducer: 25.4mm (1 in.) Pure Titanium Compression Driver 2412H (125-10000-00X)

### SYSTEM COMPONENTS: (cont'd)

- DC Resistance: 3.7 ohm
- Crossover Network: (330728-001)

### AURAL SWEEP TEST SPECIFICATIONS:

- A. System Aural Sweep Test: 7.0V Input, 20 Hz to 20 kHz
- B. L.F. Aural Sweep Test: 7.0V Input, 20 Hz to 1.2 kHz
- C. H.F. Aural Sweep Test: 2.83V Input, 550 Hz to 20 kHz

### PHYSICAL SPECIFICATIONS:

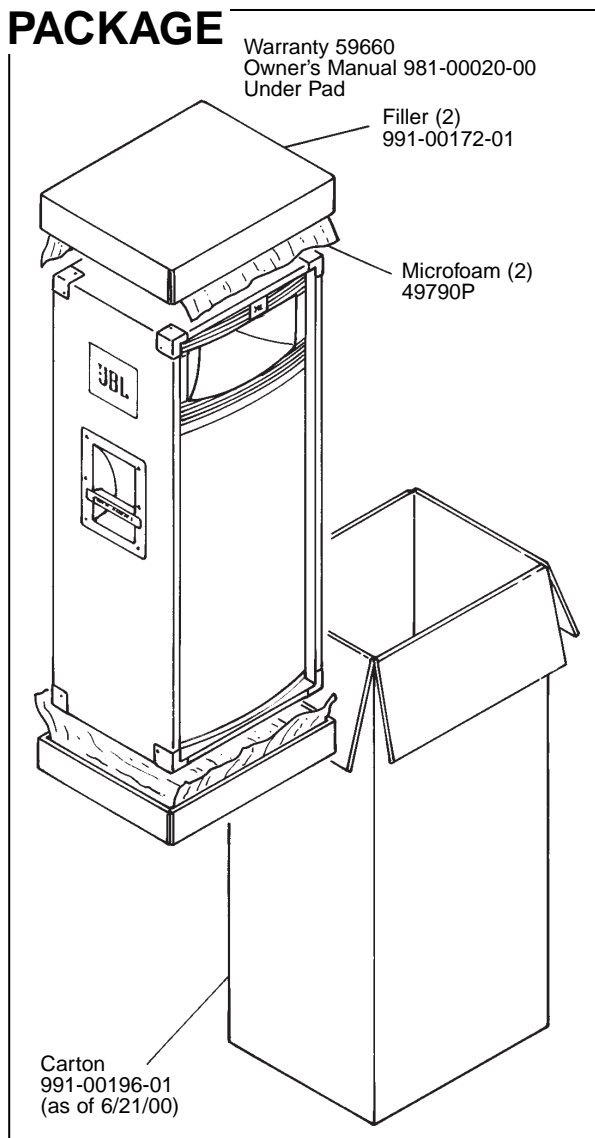
- Enclosure Dimensions: 1145mm x 460mm x 370mm D (45.0 x 18.0 x 14.5 in. D)
- Shipping Weight: 94 lbs. (42.7 kg.)

### WARRANTY INFORMATION:

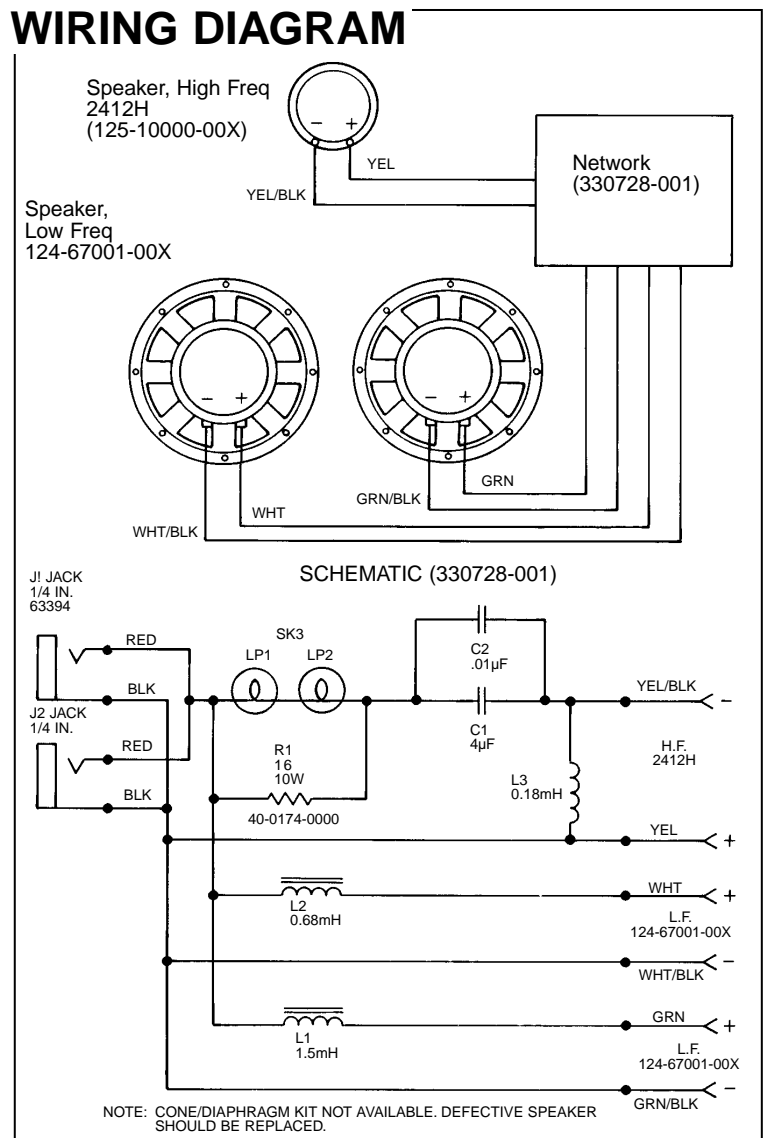
- Refer to Warranty Statement packed with each product.

\*1 Watt (2.83 V RMS) @ 1 Meter

## PACKAGE



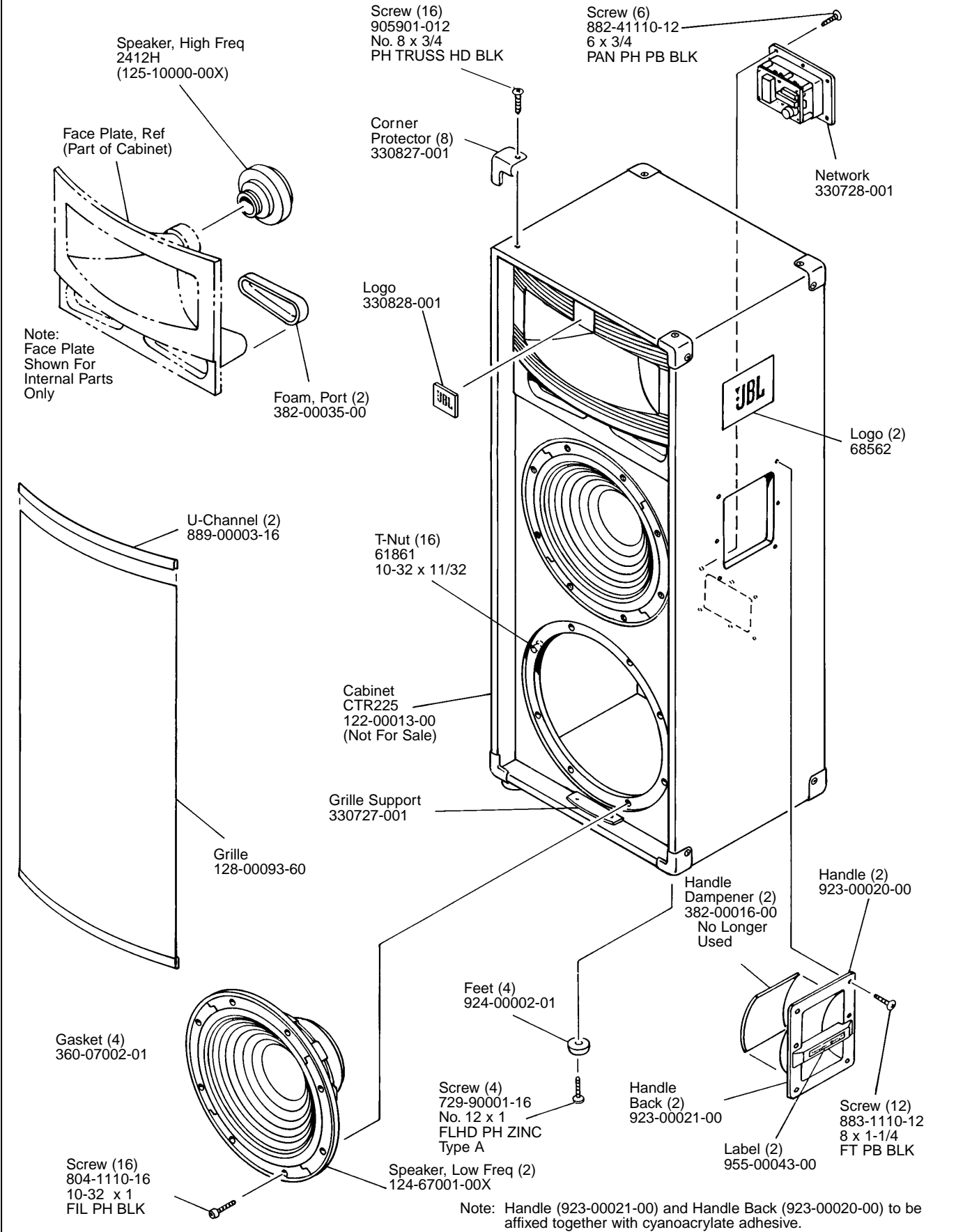
## WIRING DIAGRAM



JBL TR225 REV N

# JBL TR225

## COMPONENT EXPLODED VIEW



Note:  
Face Plate  
Shown For  
Internal Parts  
Only

Handle  
Dampener (2)  
382-00016-00  
No Longer  
Used

Note: Handle (923-00021-00) and Handle Back (923-00020-00) to be affixed together with cyanoacrylate adhesive.