

Technical Manual

JBL SR4735X

SPECIFICATIONS



ACOUSTIC & ELECTRICAL SPECIFICATIONS:

- Nominal Impedance: 8 ohms
- Power Capacity: 600W Continuous Pink Noise
- Frequency Range: 35 Hz – 20 kHz (-10dB)
- Sensitivity: 97 dB SPL, 1 Watt @ 1 Meter
- Crossover Frequencies: 350 Hz and 1.3 kHz

SYSTEM COMPONENTS:

- Cabinet: SR4735X (Not For Sale)
- Grille: 128-00422-00
- Low Frequency Transducer: 380mm (15 in.) Paper Cone Transducer (2226HPL)
- DC Resistance: 5.0 ohm \pm 10% Aluminum Wire
- Mid Frequency Transducer: 203mm (8 in.) Compression Driver (M209A-8)
- DC Resistance: 5.3 ohm \pm 8% Aluminum Wire
- High Frequency Transducer: 25.4mm (1in. Exit) Compression Driver (2425HS)

SYSTEM COMPONENTS: (Cont'd)

- DC Resistance: 3.2 ohm \pm 8% Aluminum Wire
- Crossover Network: 129-30015-00

AURAL SWEEP TEST SPECIFICATIONS:

- A. System Aural Sweep Test: 7.0V Input, 20 Hz to 20 kHz
- B. L.F. Aural Sweep Test: 7.2V Input, 20 Hz to 1.2 kHz
- C. M.F. Aural Sweep Test: 4.5V Input, 550 kHz to 20 kHz
- D. H.F. Aural Sweep Test: 2.0V Input, 1.0 kHz to 20 kHz

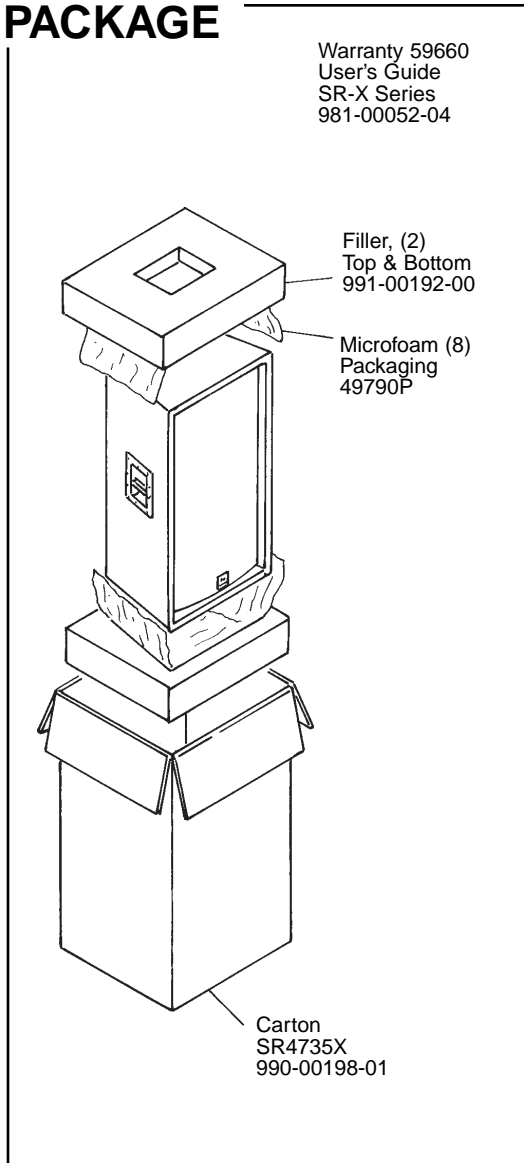
PHYSICAL SPECIFICATIONS:

- Enclosure Dimensions: 921mm x 635mm x 460mm D (36.3 x 25.0 x 18.1 in. D)
- Shipping Weight: 108 lbs. (49 kg.)

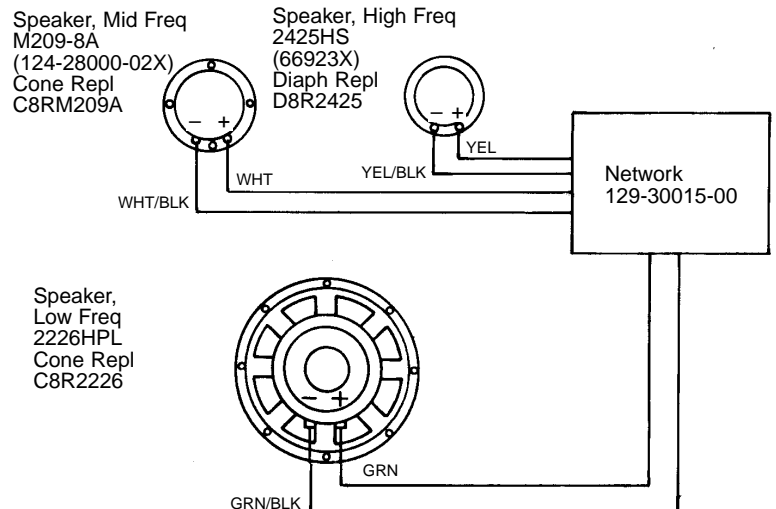
WARRANTY INFORMATION:

- Refer to Warranty Statement packed with each product.

PACKAGE



WIRING DIAGRAM

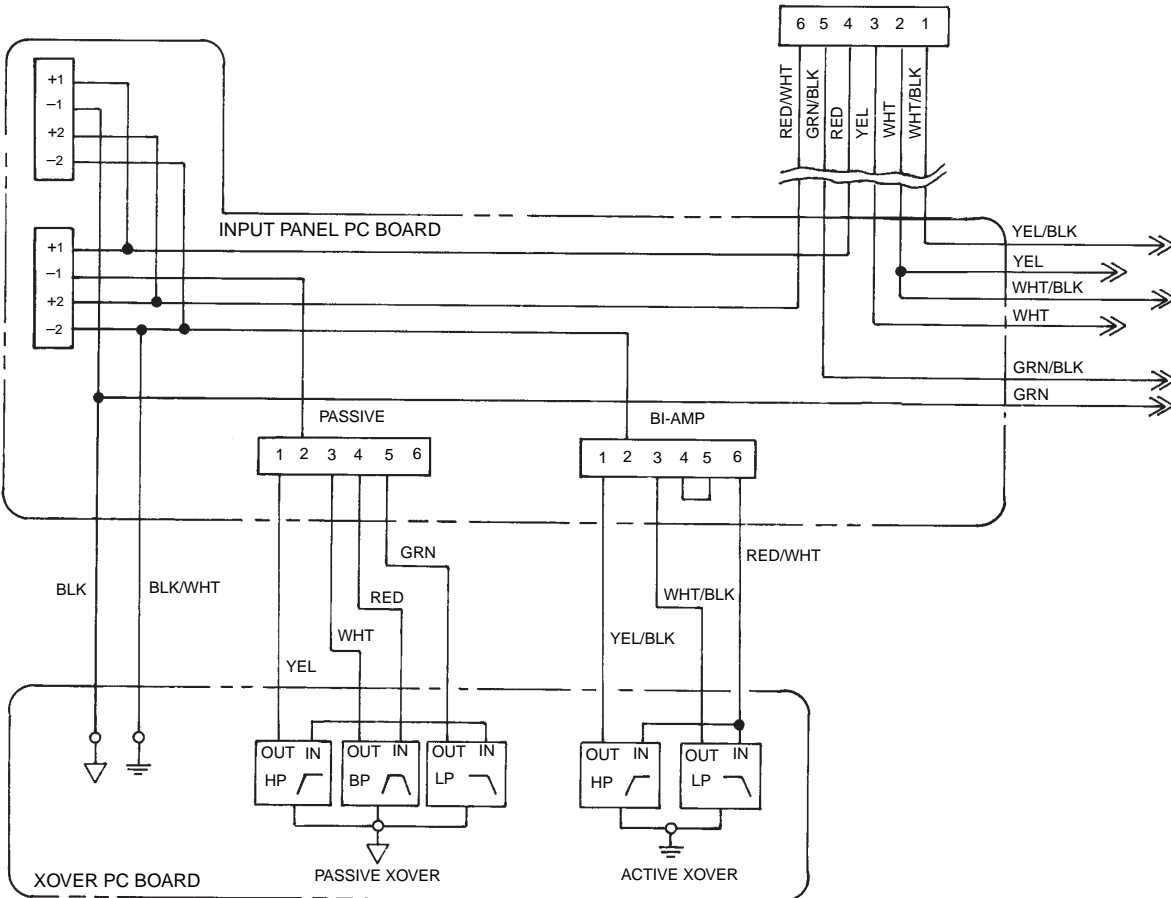
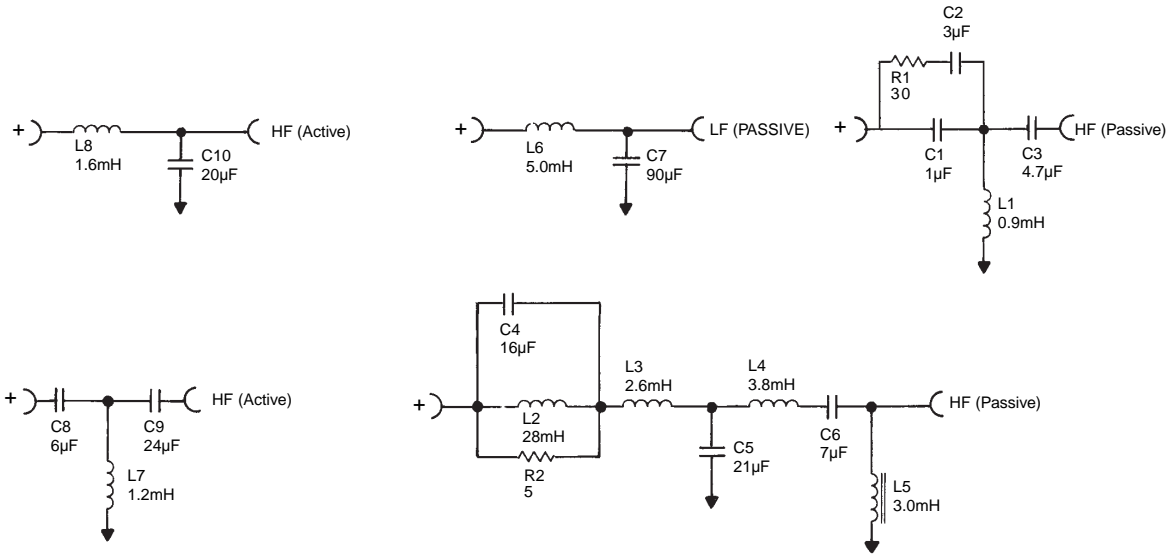


SCHEMATIC (129-30015-00)

See Schematic Page

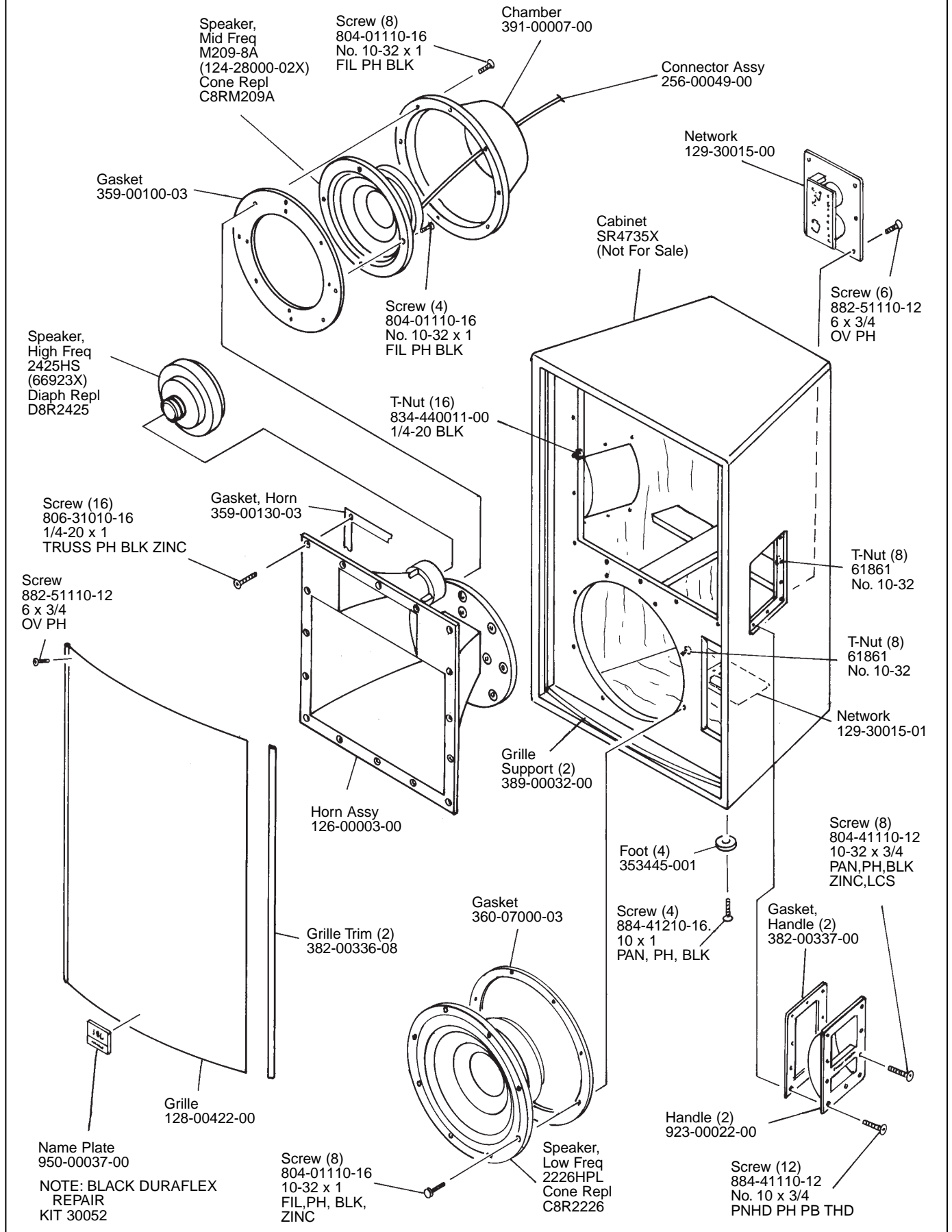
JBL SR4735X

SCHEMATIC (129-30015-00)



JBL SR4735X

COMPONENT EXPLODED VIEW



JBL SR4735X