

# Technical Manual



# JBL SR4735X/F

## SPECIFICATIONS

### ACOUSTIC & ELECTRICAL SPECIFICATIONS:

- Nominal Impedance: 8 ohms
- Power Capacity: 600W Continuous Pink Noise
- Frequency Range: 35 Hz – 20 kHz (-10dB)
- Sensitivity: 97 dB SPL, 1 Watt @ 1 Meter
- Crossover Frequencies: 600 kHz and 2.8 kHz

### SYSTEM COMPONENTS:

- Cabinet: SR4735X (Not For Sale)
- Grille: 128-00422-00
- Low Frequency Transducer: 380mm (15 in.) Paper Cone Transducer (2226HPL)
- DC Resistance: 5.0 ohm  $\pm$ 10% Aluminum Wire
- Mid Frequency Transducer: 203mm (8 in.) Compression Driver (M209A-8)
- DC Resistance: 5.3 ohm  $\pm$ 8% Aluminum Wire
- High Frequency Transducer: 25.4mm (1in. Exit) Compression Driver (2425HS)

### SYSTEM COMPONENTS: (Cont'd)

- DC Resistance: 3.2 ohm  $\pm$ 8% Aluminum Wire
- Crossover Network: 129-30015-01

### AURAL SWEEP TEST SPECIFICATIONS:

- A. System Aural Sweep Test: 7.0V Input, 20 Hz to 20 kHz
- B. L.F. Aural Sweep Test: 7.2V Input, 20 Hz to 1.2 kHz
- C. M.F. Aural Sweep Test: 4.5V Input, 550 kHz to 20 kHz
- D. H.F. Aural Sweep Test: 2.0V Input, 1.0 kHz to 20 kHz

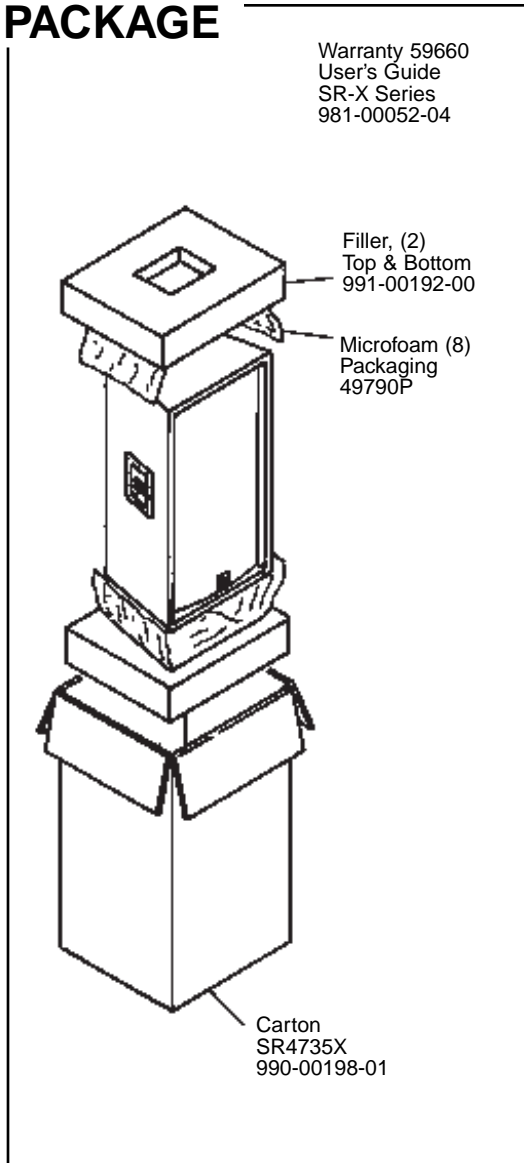
### PHYSICAL SPECIFICATIONS:

- Enclosure Dimensions: 921mm x 635mm x 460mm D (36.3 x 25.0 x 18.1 in. D)
- Shipping Weight: 108 lbs. (49 kg.)

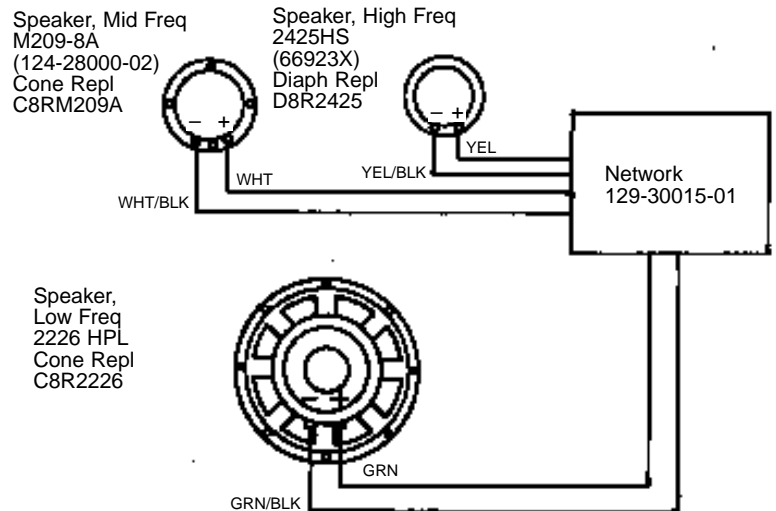
### WARRANTY INFORMATION:

- Refer to Warranty Statement packed with each product.

## PACKAGE



## WIRING DIAGRAM

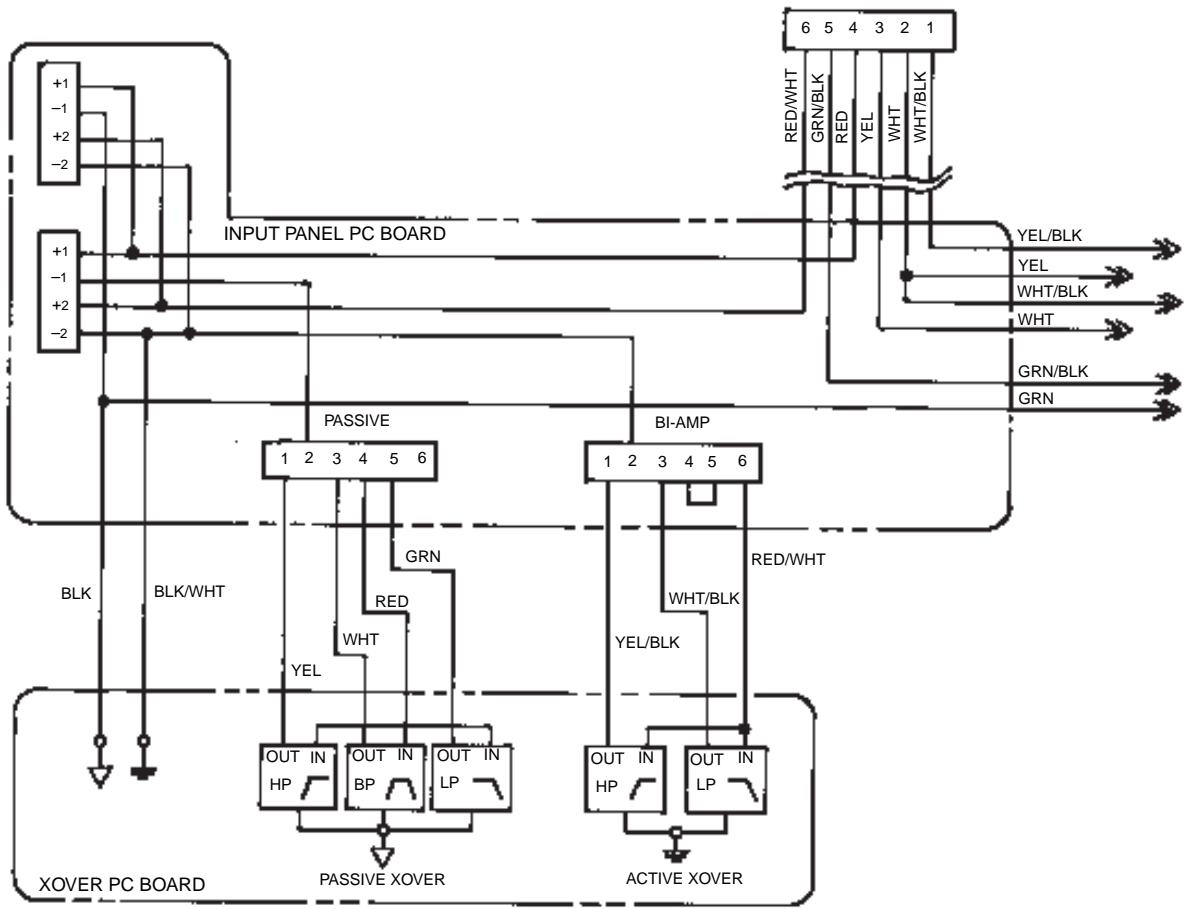
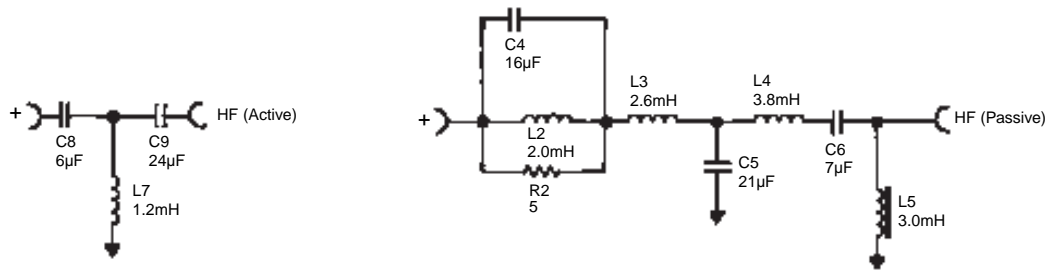
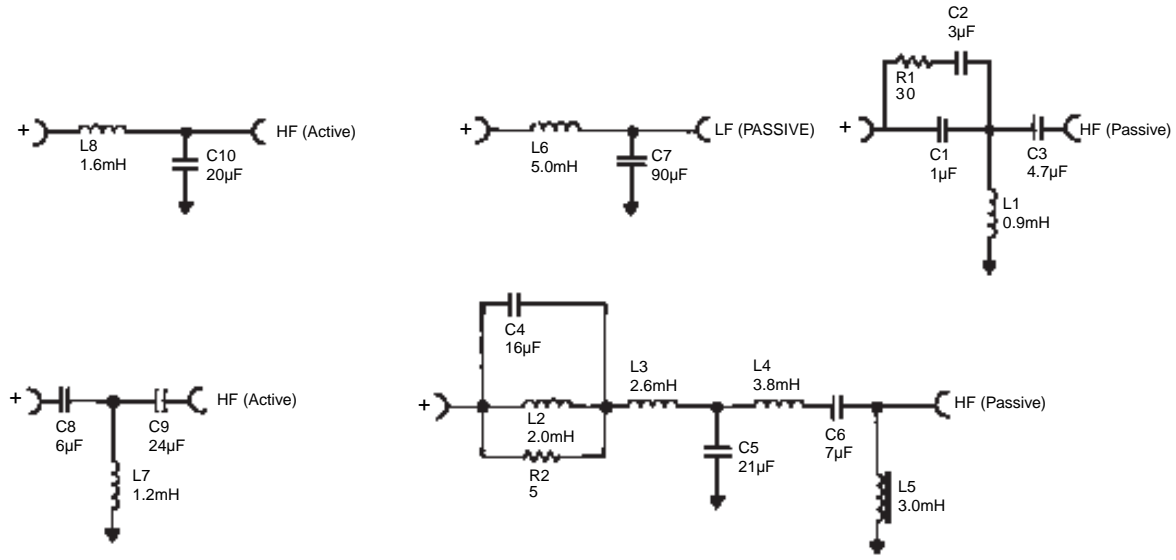


SCHEMATIC (129-30015-01)

See Schematic Page

# JBL SR4735X/F

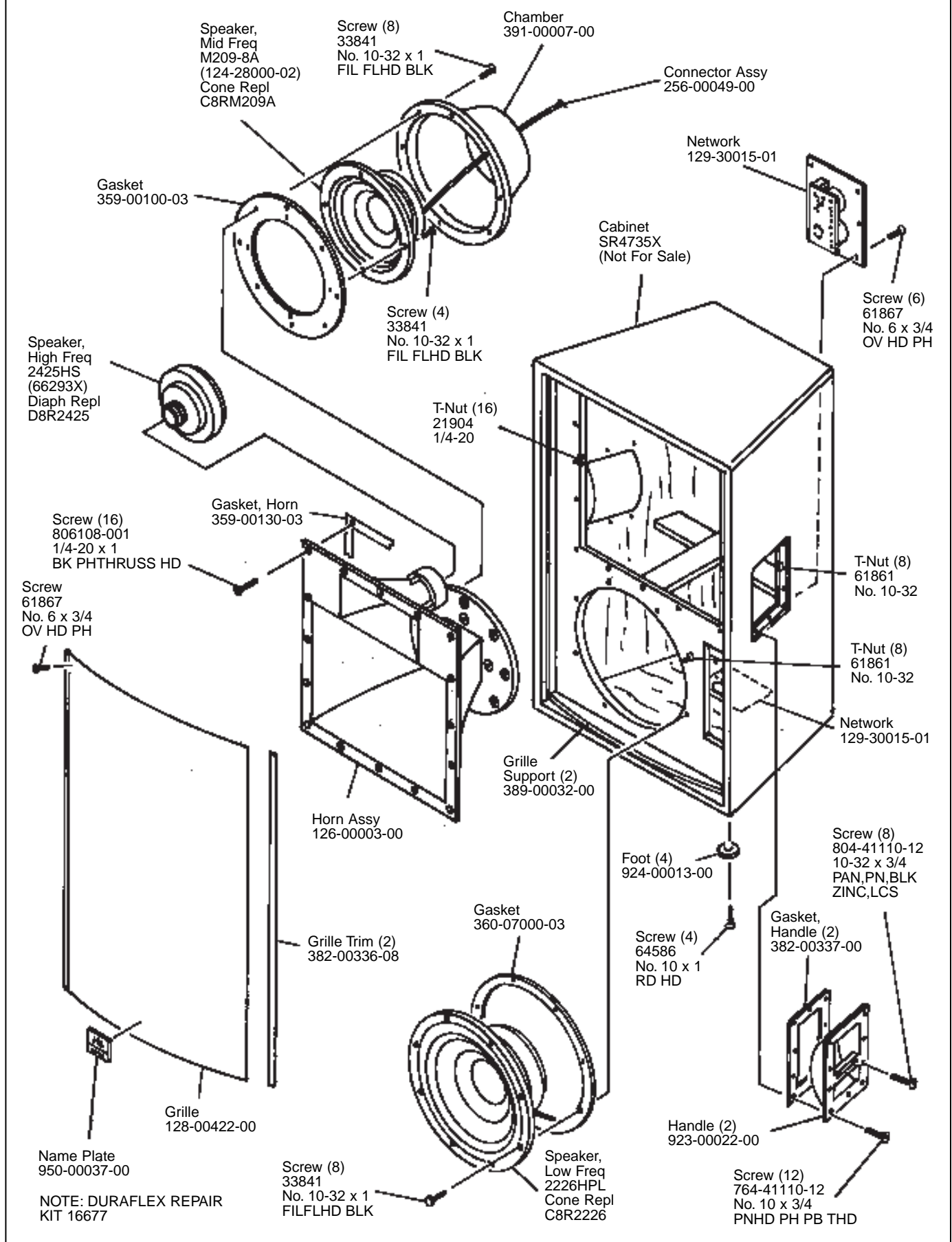
## SCHEMATIC (129-30015-01)



JBL SR4735X/F

# JBL SR4735X/F

## COMPONENT EXPLODED VIEW



JBL SR4735X/F

# JBL SR4735X/F

## CAUTION!

Suspending this system should only be done by qualified persons following safe rigging standards.

Remember: the weakest component determines the size and safety of the entire array! **CAUTION!** Before suspending any array always inspect all components of the array (enclosure, truss module, threaded fasteners, connecting hardware, and lifting hardware) for cracks, deformations, corrosion, missing or damaged parts that could reduce strength and safety of the array. Use only load rated hardware. Building structural supports and hoist motors require inspection prior to each use by knowledgeable professionals. Never exceed maximum recommended load ratings.

In the event that the track has suffered damage, replace only with the correct part (see below) from JBL professional. Replacement with parts from other sources may result in suspension failure.

Track 3" fly ware part number 390-00012-00

Track 8" fly ware part number 390-00013-00

The only fitting load-rated for over head use is a SMI (909) 878-9104 part number SM-61B "L" Double Indexing locking Swivel Ring Fitting or a ATM (310) 834-5914 part number AMTS-3SF.