

Technical Manual



JBL SR4731X/F

SPECIFICATIONS

ACOUSTIC & ELECTRICAL SPECIFICATIONS:

- Nominal Impedance: 4 ohms
- Power Capacity: 1200W Continuous Pink Noise
- Frequency Range: 40 Hz – 18 kHz (-10dB)
- Sensitivity: 98 dB SPL, 1 Watt @ 1 Meter
- Crossover Frequency: 1.2 kHz

SYSTEM COMPONENTS:

- Cabinet: SR4731X (Not For Sale)
- Grille: 128-00396-00
- Low Frequency Transducer: 305mm (12 in.) Paper Cone Transducer (2206H) (2)
- DC Resistance: 5.3 ohm ±10% Copper Wire
- High Frequency Transducer: 50.8mm (2 in.) Exit Pure Titanium Compression Driver (2447J)
- DC Resistance: 8.0 ohm ±8% Aluminum Wire

SYSTEM COMPONENTS: (Cont'd)

- Crossover Network: 129-20063-00

AURAL SWEEP TEST SPECIFICATIONS:

- A. System Aural Sweep Test: 7.0V Input, 20 Hz to 20 kHz
- B. L.F. Aural Sweep Test: 15.0V Input, 20 Hz to 1.2 kHz
- C. H.F. Aural Sweep Test: 2.0V Input, 550 kHz to 20 kHz

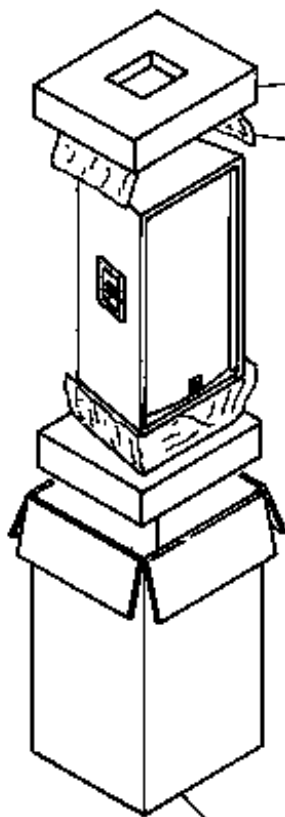
PHYSICAL SPECIFICATIONS:

- Enclosure Dimensions: 1092mm x 635mm x 460mm D (43.0 x 25.0 x 18.0 in. D)
- Shipping Weight: 136 lbs. (61.6 kg.)

WARRANTY INFORMATION:

- Refer to Warranty Statement packed with each product.

PACKAGE



Warranty 59660
User's Guide
SR-X Series
981-00052-04

Filler, (2)
Top & Bottom
991-00179-02

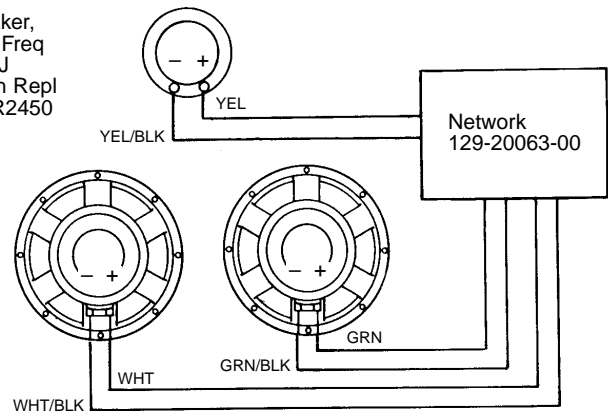
Microfoam (8)
Packaging
49790P

Carton
SR4731X
990-00178-00

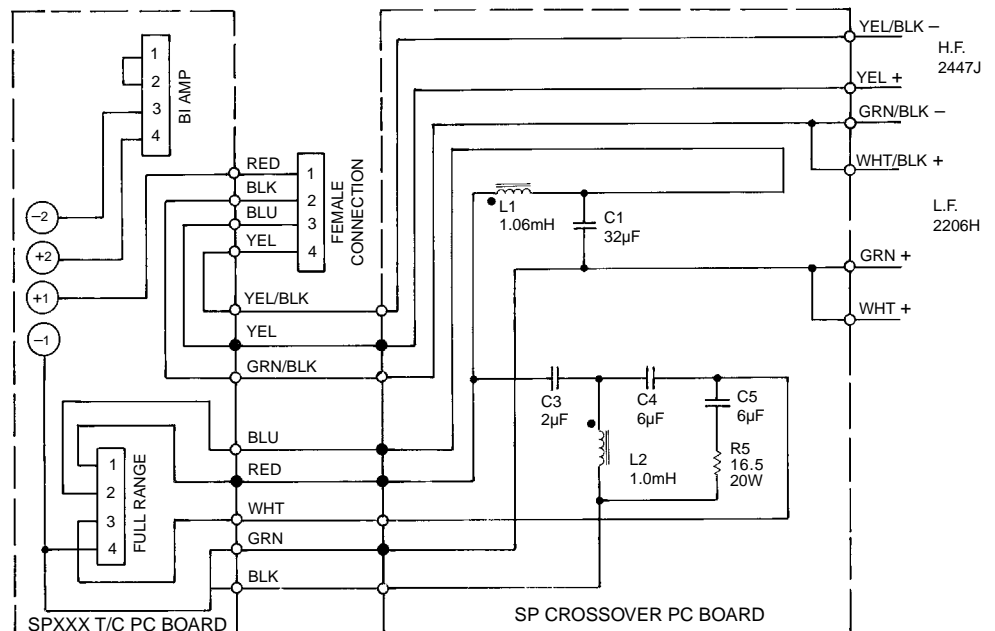
WIRING DIAGRAM

Speaker,
High Freq
2447J
Diaph Repl
D16R2450

Speaker,
Low Freq
2206H (2)
Cone Repl
C8R2206



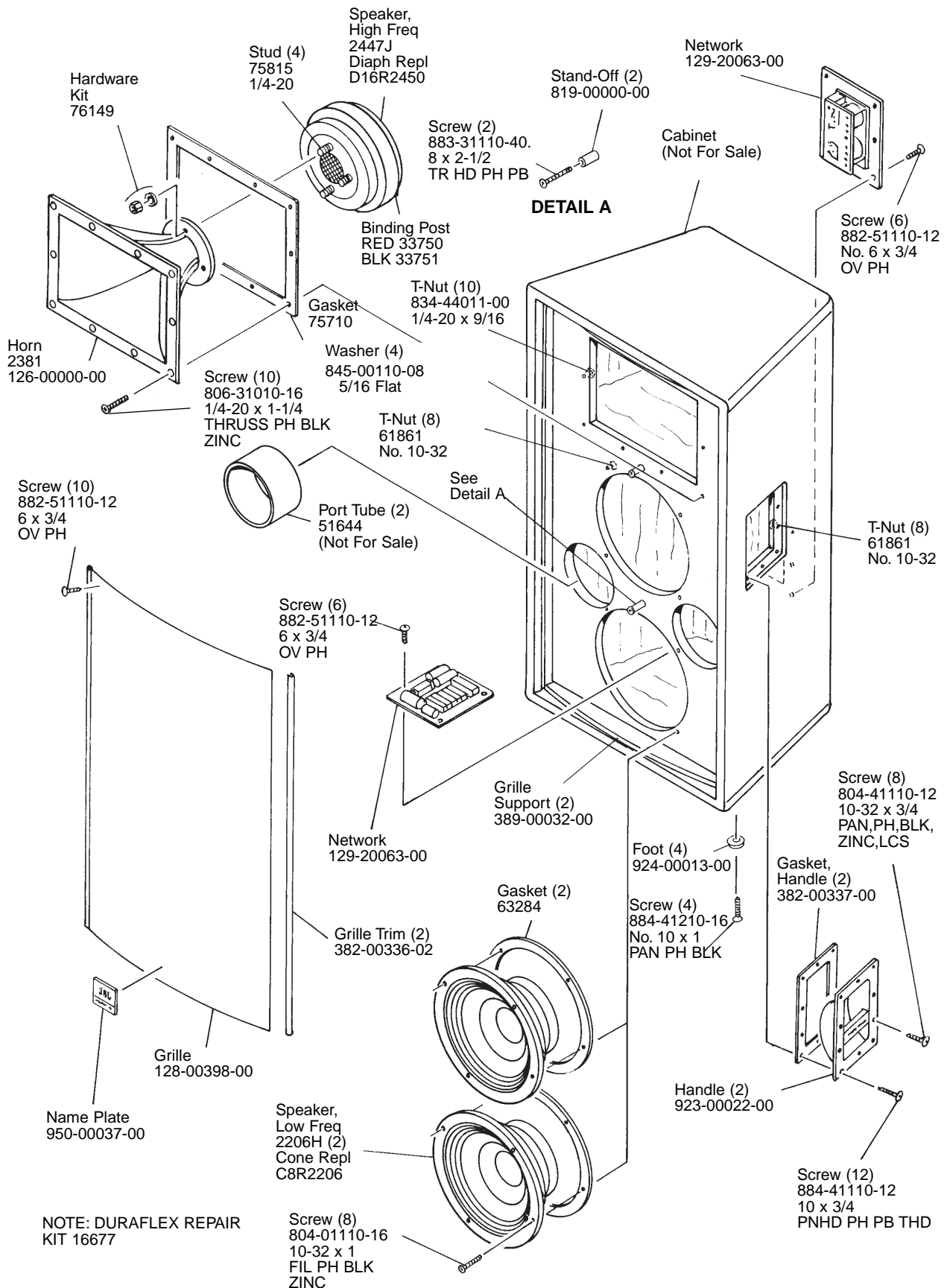
SCHEMATIC (129-20063-00)



LBL SR4731X/F REV N

JBL SR4731X/F

COMPONENT EXPLODED VIEW



JBL SR4731X/F

JBL SR4731X/F

CAUTION!

Suspending this system should only be done by qualified persons following safe rigging standards.

Remember: the weakest component determines the size and safety of the entire array! **CAUTION!** Before suspending any array always inspect all components of the array (enclosure, truss module, threaded fasteners, connecting hardware, and lifting hardware) for cracks, deformations, corrosion, missing or damaged parts that could reduce strength and safety of the array. Use only load rated hardware. Building structural supports and hoist motors require inspection prior to each use by knowledgeable professionals. Never exceed maximum recommended load ratings.

In the event that the track has suffered damage, replace only with the correct part (see below) from JBL professional. Replacement with parts from other sources may result in suspension failure.

Track 3" fly ware part number 390-00012-00

Track 8" fly ware part number 390-00013-00

The only fitting load-rated for over head use is a SMI (909) 878-9104 part number SM-61B "L" Double Indexing locking Swivel Ring Fitting or a ATM (310) 834-5914 part number AMTS-3SF.