

Technical Manual

JBL SR4726X/F



SPECIFICATIONS

ACOUSTIC & ELECTRICAL SPECIFICATIONS:

- Nominal Impedance: 8 ohms
- Power Capacity: 600W Continuous Pink Noise
- Frequency Range: 35 Hz – 18 kHz (-10dB)
- Sensitivity: 97 dB SPL, 1 Watt @ 1 Meter
- Crossover Frequency: 1.1 kHz

SYSTEM COMPONENTS:

- Cabinet: SR4726X (Not For Sale)
- Grille: 128-00395-00
- Low Frequency Transducer: 380mm (15 in.) Paper Cone Transducer (2226HPL)
- DC Resistance: 5.0 ohm ±10% Aluminum Wire
- High Frequency Transducer: 50.8mm (2 in.Exit) Pure Titanium Compression Driver (2447J)
- DC Resistance: 8.0 ohm ±8% Aluminum Wire

SYSTEM COMPONENTS: (Cont'd)

- Crossover Network: 129-20062-00

AURAL SWEEP TEST SPECIFICATIONS:

- A. System Aural Sweep Test: 7.0V Input, 20 Hz to 20 kHz
- B. L.F. Aural Sweep Test: 7.2V Input, 20 Hz to 1.2 kHz
- C. H.F. Aural Sweep Test: 2.0V Input, 550 kHz to 20 kHz

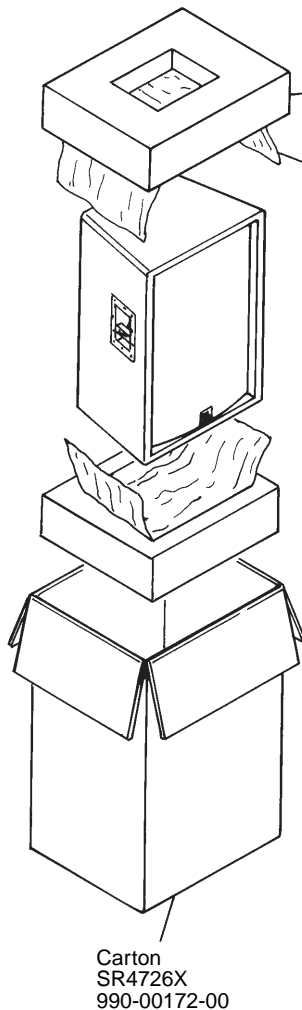
PHYSICAL SPECIFICATIONS:

- Enclosure Dimensions: 921mm x 635mm x 460mm D (36.25 x 25.0 x 18.0 in. D)
- Shipping Weight: 110 lbs. (49.9 kg.)

WARRANTY INFORMATION:

- Refer to Warranty Statement packed with each product.

PACKAGE



Warranty 59660
User's Guide
SR-X Series
981-00052-04

Filler, (2)
Top & Bottom
991-00179-02

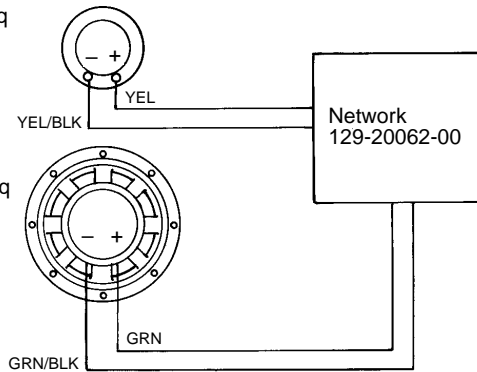
Microfoam(8)
Packaging
49790P

Carton
SR4726X
990-00172-00

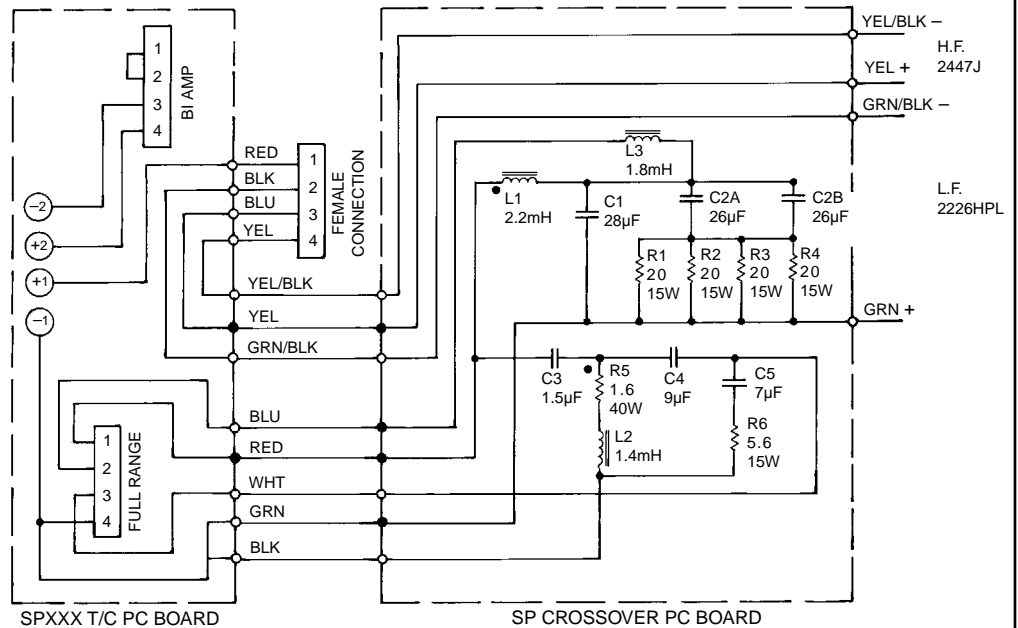
WIRING DIAGRAM

Speaker, HighFreq
2447J
Diaph Repl
D16R2450

Speaker, Low Freq
2226HPL
Cone Repl
C8R2226



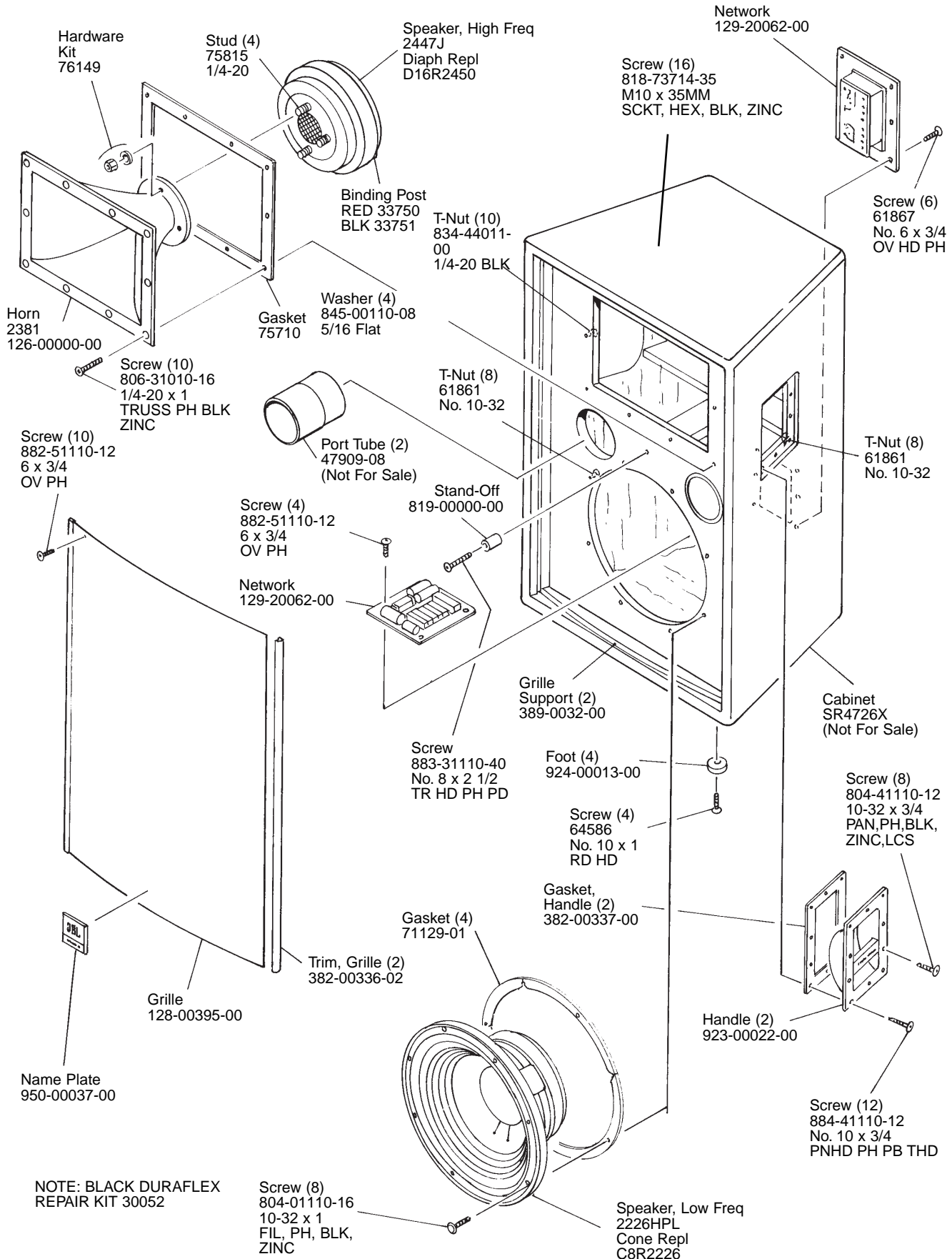
SCHEMATIC (129-20062-00)



JBL SR4726X/F REV N

JBL SR4726X/F

COMPONENT EXPLODED VIEW



JBL SR4726X/F

CAUTION!

Suspending this system should only be done by qualified persons following safe rigging standards.

Remember: the weakest component determines the size and safety of the entire array! **CAUTION!** Before suspending any array always inspect all components of the array (enclosure, truss module, threaded fasteners, connecting hardware, and lifting hardware) for cracks, deformations, corrosion, missing or damaged parts that could reduce strength and safety of the array. Use only load rated hardware. Building structural supports and hoist motors require inspection prior to each use by knowledgeable professionals. Never exceed maximum recommended load ratings.

In the event that the track has suffered damage, replace only with the correct part (see below) from JBL professional. Replacement with parts from other sources may result in suspension failure.

Track 3" fly ware part number 390-00012-00

Track 8" fly ware part number 390-00013-00

The only fitting load-rated for over head use is a SMI (909) 878-9104 part number SM-61B "L" Double Indexing locking Swivel Ring Fitting or a ATM (310) 834-5914 part number AMTS-3SF.