

# Technical Manual

# JBL SR4719X

## SPECIFICATIONS



### ACOUSTIC & ELECTRICAL SPECIFICATIONS:

- Nominal Impedance: 4 ohm
- Power Capacity: 1200W Continuous Pink Noise
- Frequency Range: 25 Hz – 1.1 kHz (-10 dB)
- Sensitivity: 99 dB SPL, 1 Watt @ 1 Meter
- Crossover Frequency: 1.2 kHz

### SYSTEM COMPONENTS:

- Cabinet: SR4719X (Not For Sale)
- Grille: 128-00394-00
- Low Frequency Transducer: 460mm (18 in.) Paper Cone Transducer (2241HPL)(2)
- DC Resistance: 5.0 ohm ±10% Aluminum Wire
- Crossover Network: 129-10042-00

### AURAL SWEEP TEST SPECIFICATIONS:

- A. System Aural Sweep Test: 7.0V Input, 20 Hz to 2 kHz
- B. L.F. Aural Sweep Test: 11.5V Input, 20 Hz to 1.2 kHz

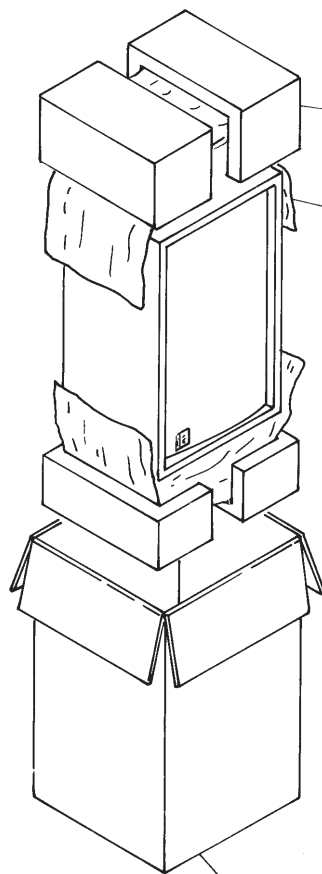
### PHYSICAL SPECIFICATIONS:

- Enclosure Dimensions: 1240mm x 782mm x 630mm D (48.75 x 30.75 x 24.75 in. D)
- Weight: 195 lbs. (88.4 kg.)

### WARRANTY INFORMATION:

- Refer to Warranty Statement packed with each product.

## PACKAGE



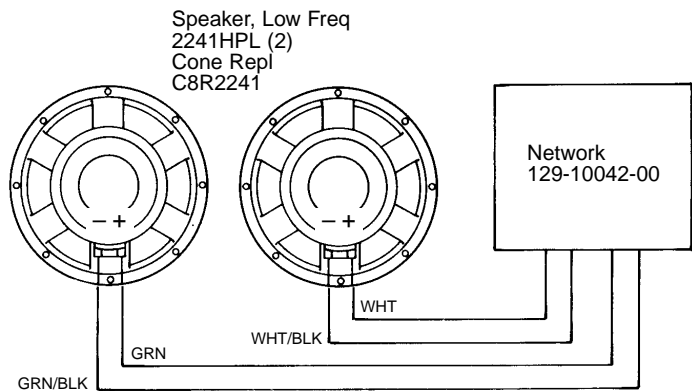
Warranty 59660  
User's Guide  
SR-X Series  
981-00052-04

Filler, (4)  
Top & Bottom  
991-00185-00

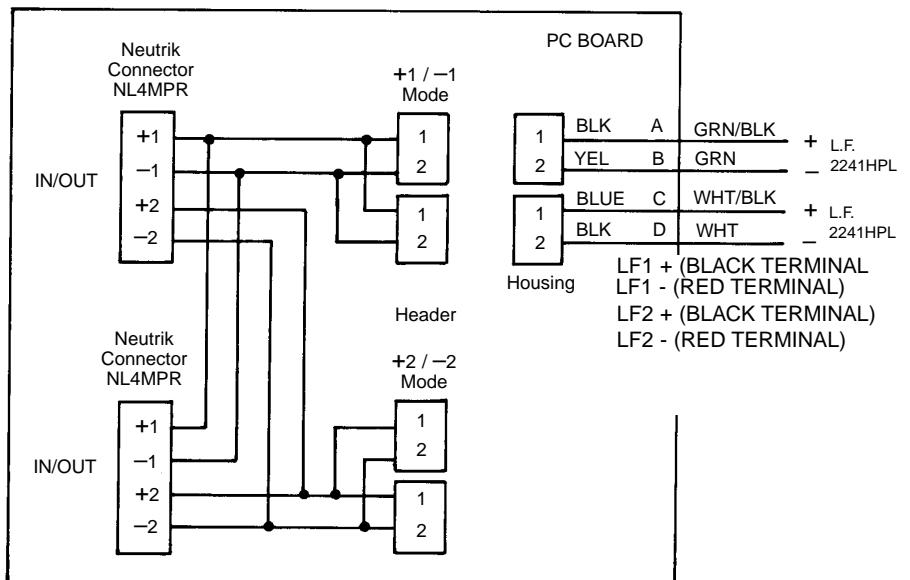
Microfoam (8)  
Packaging  
49790P

Carton  
SR4719X  
990-00175-01

## WIRING DIAGRAM

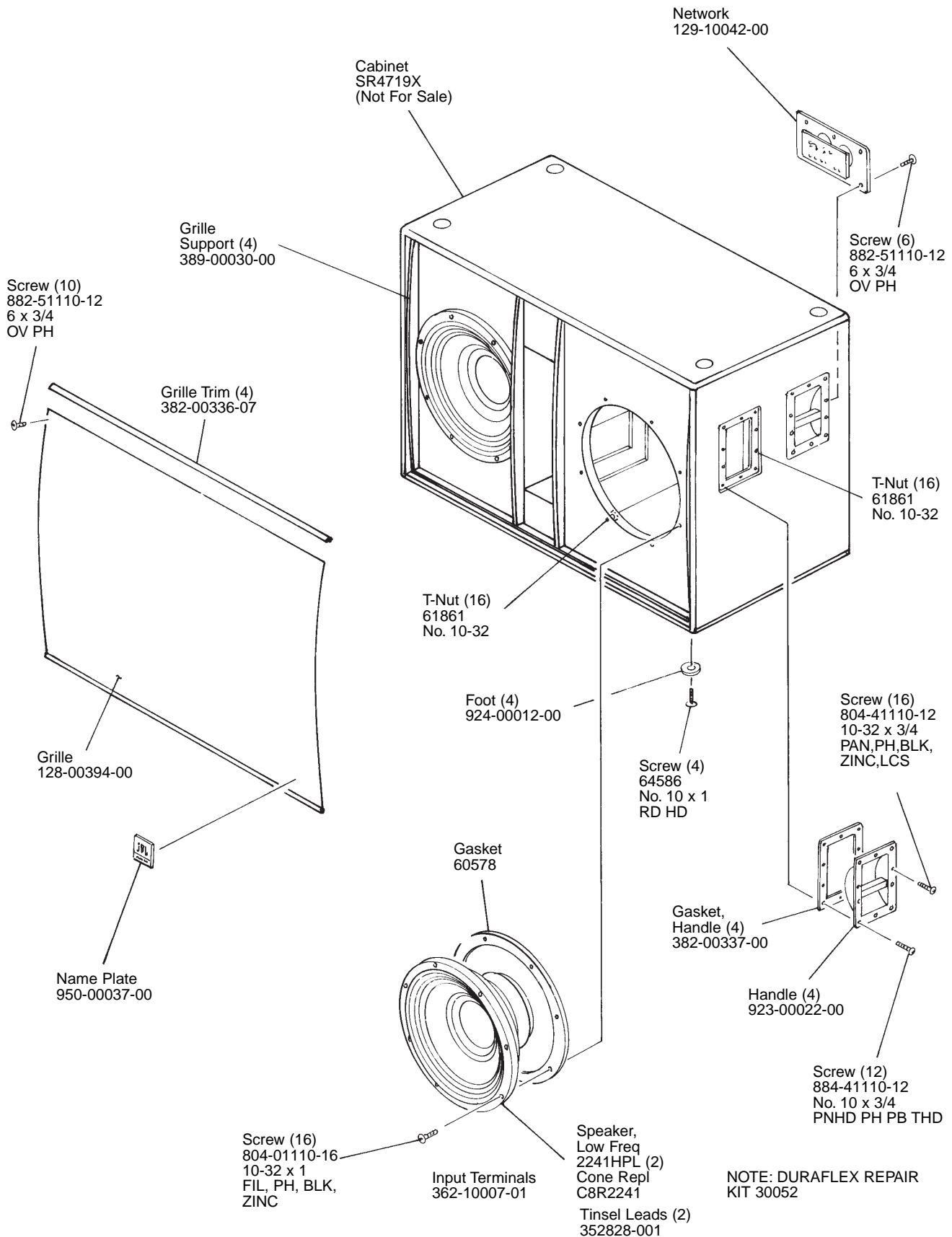


SCHEMATIC (129-10042-00)



# JBL SR4719X

## COMPONENT EXPLODED VIEW



NOTE: DURAFLEX REPAIR KIT 30052