

# Technical Manual

# JBL SP212-6/WH

## SPECIFICATIONS



### ACOUSTIC & ELECTRICAL SPECIFICATIONS:

- Nominal Impedance: 8 ohm
- Power Capacity: 600W IEC: 2400W Peak
- Frequency Range: 37 Hz – 20 kHz (–10dB)
- Sensitivity: 95 dB SPL, 1 Watt @ 1 Meter
- Crossover Frequency: 1.2 kHz

### SYSTEM COMPONENTS:

- Cabinet: (Not For Sale)
- Grille: 128-00273-65, 128-00273-00 (Wh)
- Low Frequency Transducer: 300mm (12 in.) Cone Transducer (2206HPL)  
DC Resistance: 5.0 ohm ± 10% Aluminum Wire
- High Frequency Transducer: 100mm (4 in.) Pure Titanium Diaphragm (2447J)  
DC Resistance: 8.0 ohm ± 8% Aluminum Wire

### SYSTEM COMPONENTS: (cont'd)

- Crossover Network 129-20067-00

### AURAL SWEEP TEST SPECIFICATIONS:

- A. System Aural Sweep Test: 10.0V Input, 20 Hz to 20 kHz
- B. L.F. Aural Sweep Test: 10.0V Input, 20 Hz to 1.2 kHz
- C. H.F. Aural Sweep Test: 2.5V Input, 550 Hz to 20 kHz

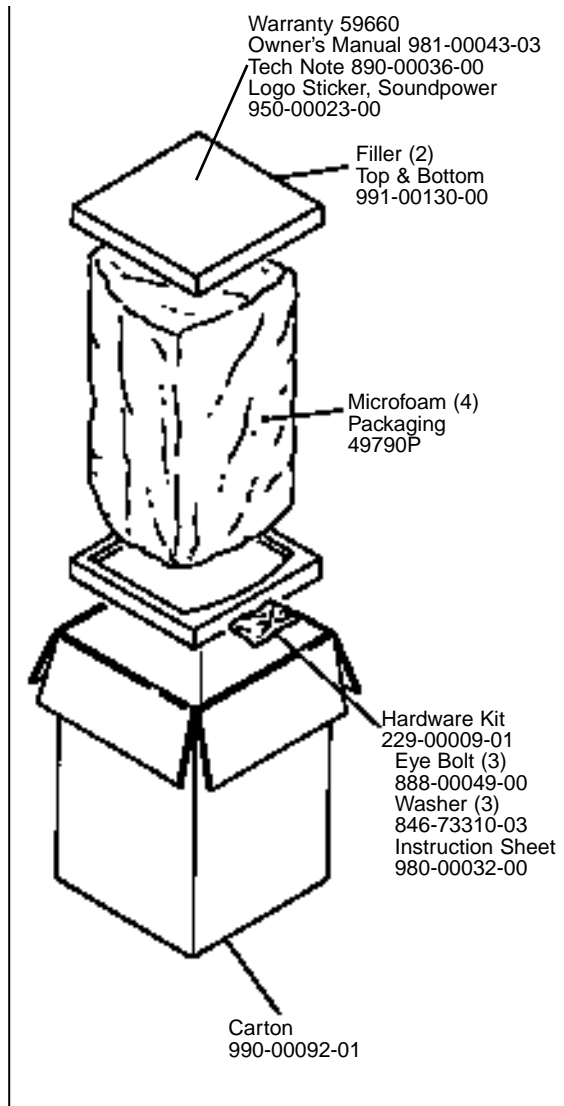
### PHYSICAL SPECIFICATIONS:

- Enclosure Dimensions: 584mm x 386mm x 395mm D (23.0 x 15.2 x 15.6 in. D)
- Shipping Weight: 70 lbs. (31.8 kg.)

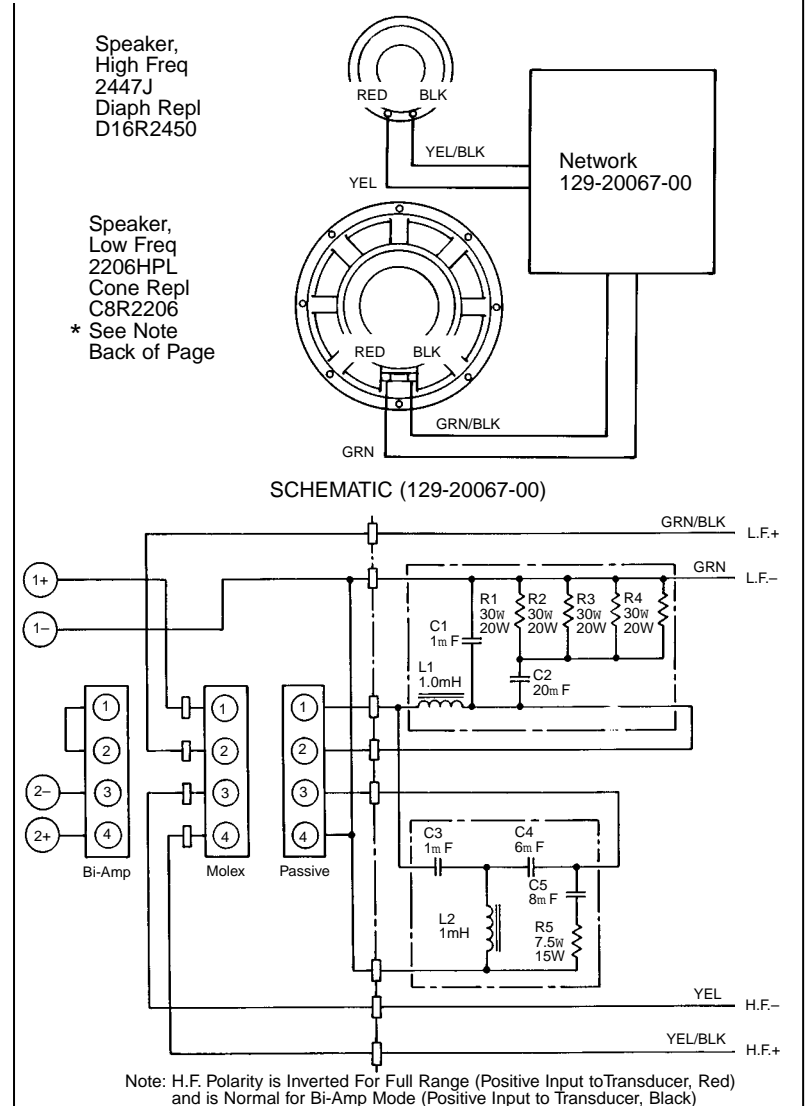
### WARRANTY INFORMATION:

- Refer to Warranty Statement packed with each product.

## PACKAGE



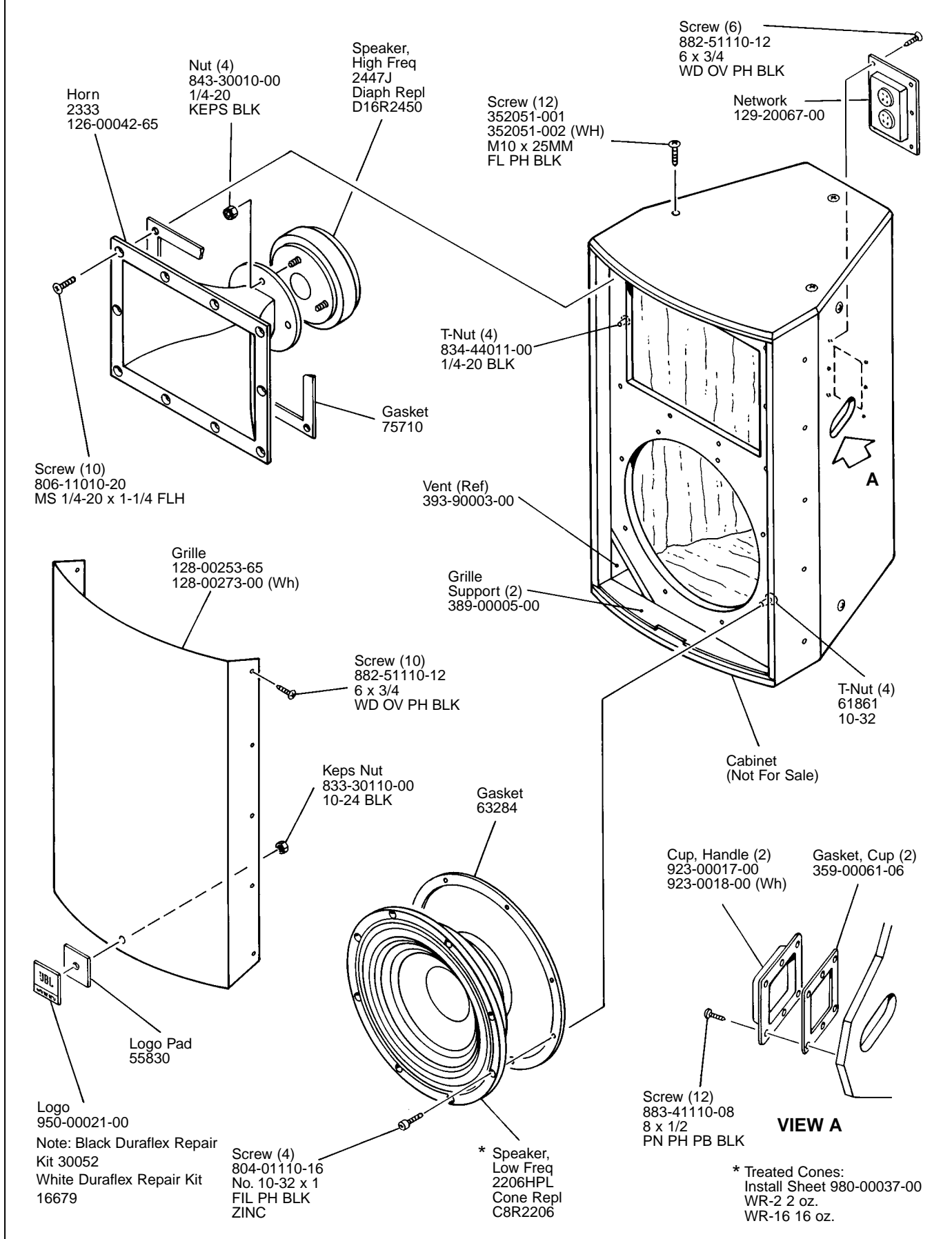
## WIRING DIAGRAM



JBL SP212-6/WH REV N

# JBL SP212-6/WH

## COMPONENT EXPLODED VIEW



Horn  
2333  
126-00042-65

Nut (4)  
843-30010-00  
1/4-20  
KEPS BLK

Speaker,  
High Freq  
2447J  
Diaph Repl  
D16R2450

Screw (6)  
882-51110-12  
6 x 3/4  
WD OV PH BLK

Screw (12)  
352051-001  
352051-002 (WH)  
M10 x 25MM  
FL PH BLK

Network  
129-20067-00

T-Nut (4)  
834-44011-00  
1/4-20 BLK

Gasket  
75710

Screw (10)  
806-11010-20  
MS 1/4-20 x 1-1/4 FLH

Vent (Ref)  
393-90003-00

Grille  
128-00253-65  
128-00273-00 (Wh)

Grille  
Support (2)  
389-00005-00

Screw (10)  
882-51110-12  
6 x 3/4  
WD OV PH BLK

T-Nut (4)  
61861  
10-32

Cabinet  
(Not For Sale)

Keps Nut  
833-30110-00  
10-24 BLK

Gasket  
63284

Cup, Handle (2)  
923-00017-00  
923-0018-00 (Wh)

Gasket, Cup (2)  
359-00061-06

Logo Pad  
55830

Logo  
950-00021-00

Note: Black Duraflex Repair  
Kit 30052  
White Duraflex Repair Kit  
16679

Screw (4)  
804-01110-16  
No. 10-32 x 1  
FIL PH BLK  
ZINC

\* Speaker,  
Low Freq  
2206HPL  
Cone Repl  
C8R2206

Screw (12)  
883-41110-08  
8 x 1/2  
PN PH PB BLK

**VIEW A**

\* Treated Cones:  
Install Sheet 980-00037-00  
WR-2 2 oz.  
WR-16 16 oz.

JBL SP212-6/WH