

Technical Manual

JBL SMS1



SPECIFICATIONS

ACOUSTIC & ELECTRICAL SPECIFICATIONS:

- Power Capacity: SMS1-Sub
80 Watts Continuous Pink Noise
160 Watts Continuous Program Peak
320 Watts Peak

- SMS1-Sat
10 Watts Continuous Pink Noise (x 4 Speakers)
20 Watts Continuous Program (x 4 Speakers)
40 Watts (x 4 Speakers)

- SPL Capability (1m): SMS1-SUB, 104dB Average, 110dB Peak
SMS1-Sat, 92dB Average, 98db Peak (x 4 Speakers)
- Frequency Range: 40–16 kHz (±10dB)
- Frequency Response: 45–13 kHz (±3db)

SYSTEM COMPONENTS:

- Cabinet: Enclosure (Not For Sale)
- Grille: See Drawing
- Low Frequency Transducer: 200mm (8 in.) Cone Transducer (338-259-001)
- DC Resistance: 3.5 ohm ±10%

SYSTEM COMPONENTS (cont'd)

- High Frequency Transducer: 64mm (2-1/2 in.) (4) (338236-001)
- DC Resistance: 7.2 ohm ±10

AURAL SWEEP TEST SPECIFICATIONS:

- A. System Aural Sweep Test: -10 DBu Balanced Input
- B. L.F. Aural Sweep Test: 5.0V Input, 20 Hz to 400 Hz
- C. H.F. Aural Sweep Test: 3.0V Input, 100 Hz to 20 kHz

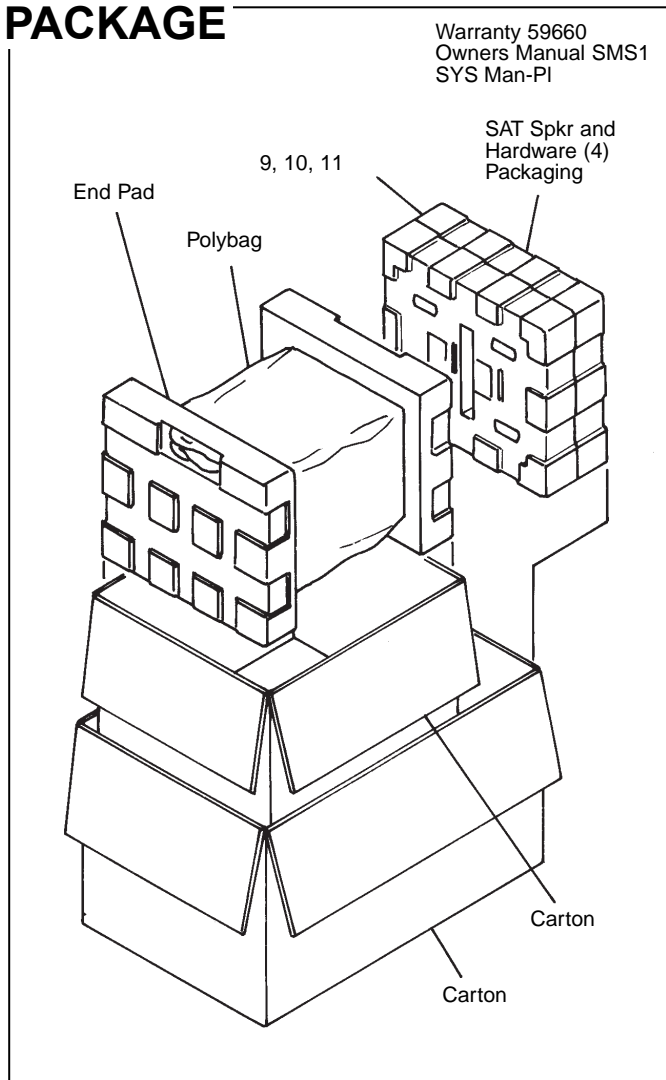
PHYSICAL SPECIFICATIONS:

- Enclosure Dimensions: Subwoofer
458mm x 546mm x 280mm D (18.0 x 21.5 x 11.0 in.D.)
SAT Satellite (4 Each)
135mm x 84mm x 202mm D (5.3 x 3.3 x 7.95 in.D.)
- Shipping Weight: 69 lbs. (31.3 kg.)

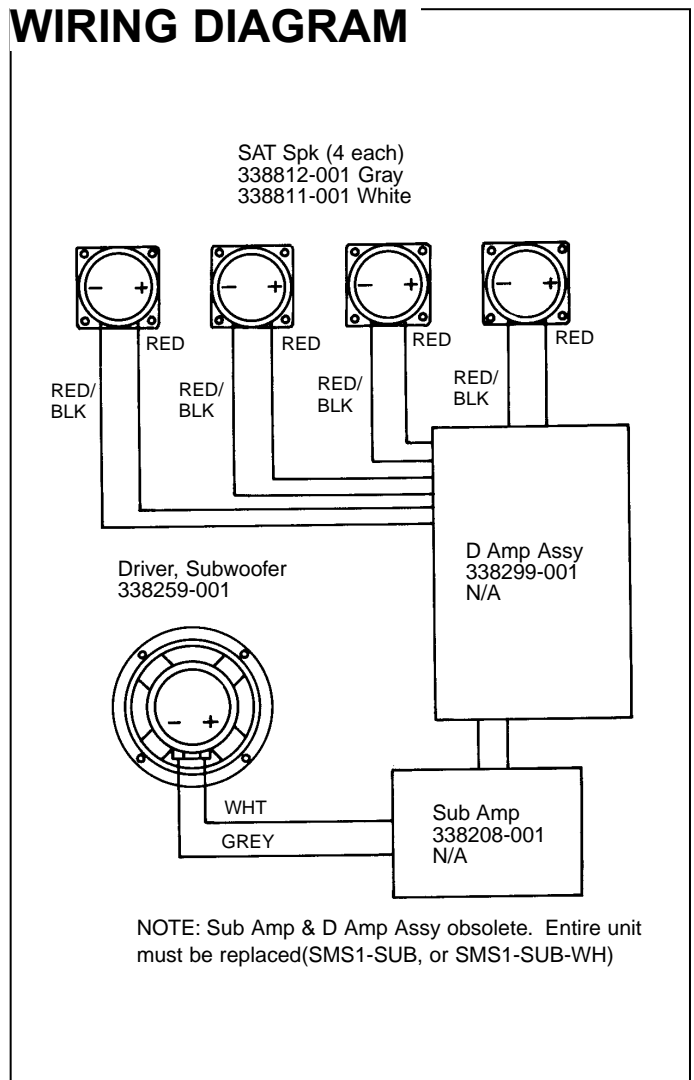
WARRANTY INFORMATION:

- Refer to Warranty Statement packed with each product.

PACKAGE

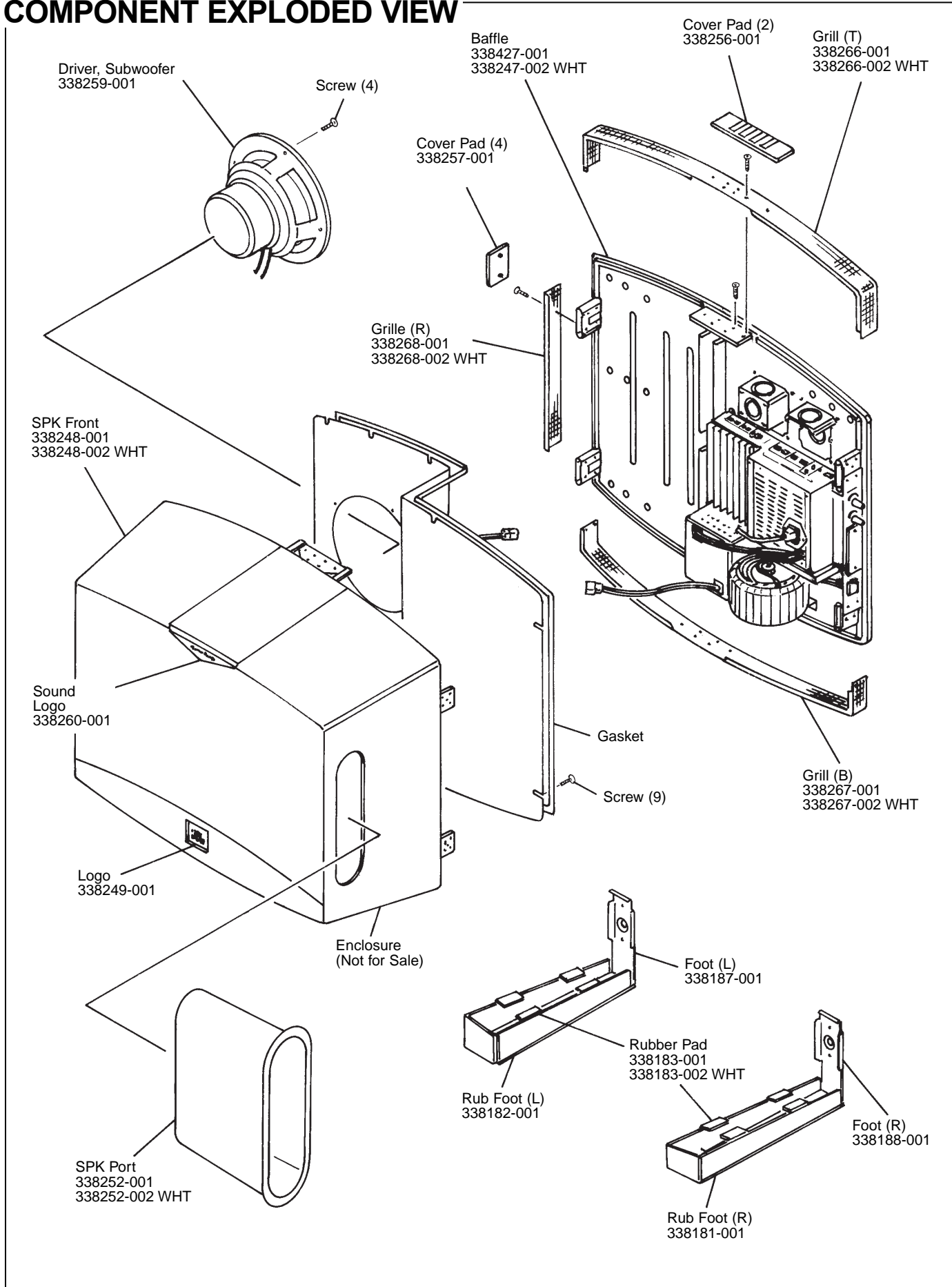


WIRING DIAGRAM



JBL SMS1

COMPONENT EXPLODED VIEW

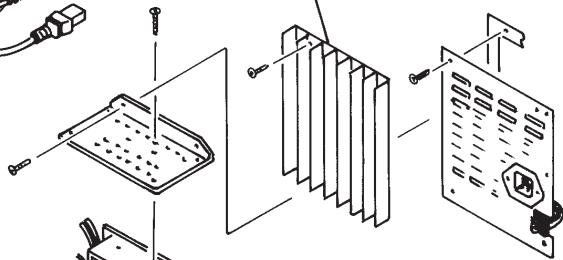


JBL SMS1

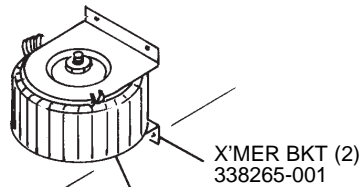
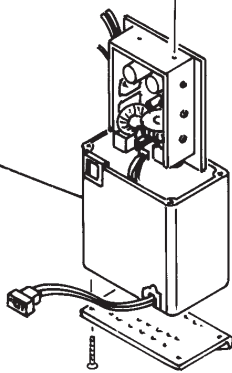
COMPONENT EXPLODED VIEW

Line Cord
338195-001

Heat Sink
338212-001

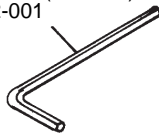


31

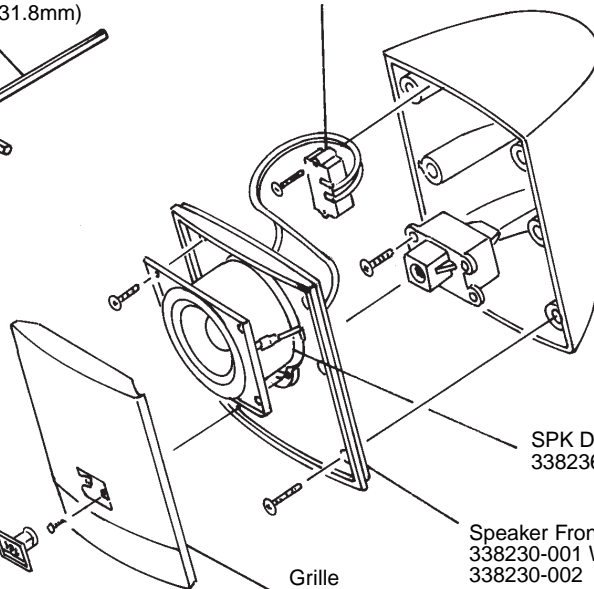


PWR Trans,
120VAC
338275-001
230VAC
338275-002

Wrench
M3 x 61.8+ (31.8mm)
338202-001

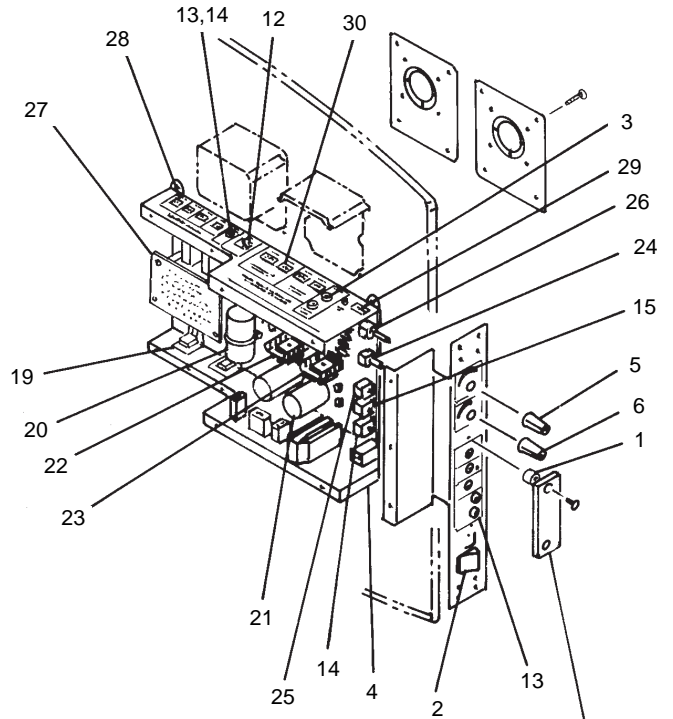


SPK Jack
338234-001



Logo Plate
338233-001

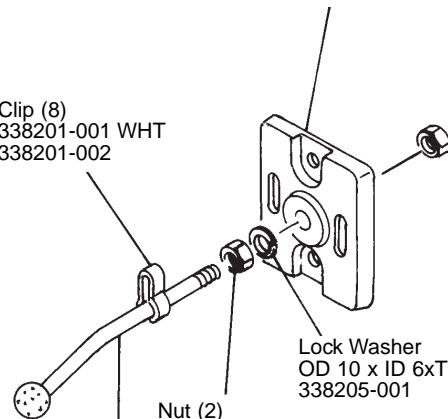
Grille
338237-001 WHT
338237-002



Acrylic Window
338250-001

Wall Mount
338200-001 WHT
338200-002

Clip (8)
338201-001 WHT
338201-002



Lock Washer
OD 10 x ID 6xT1.5mm
338205-001

Nut (2)
M6 .0B10.0xH5.0mm
338204-001

Arm
338199-001 WHT
338199-002

SPK Driver
338236-001

Speaker Front
338230-001 WHT
338230-002

Wrench
M6.0mm
338203-001



PARTIAL PARTS LIST

| ITEM No. | PART No. | QTY | DESCRIPTION |
|----------|------------|-----|---------------------------------|
| 1 | 338211-001 | 2 | Spacer |
| 2 | 338219-001 | 1 | SW Rocker, D602J12S215PQF C+K |
| 3 | 338288-001 | 1 | RCA Jack 2P WHT-RED |
| 4 | 338299-001 | 1 | D Amp Assy |
| 5 | 338209-001 | 1 | Music Knob, JBL PRO 34-0247-71 |
| 6 | 338210-001 | 1 | MIC Knob, JBL PRO 34-0248-P3 |
| 7 | | | |
| 8 | | | |
| 9 | 338184-001 | 4 | Conn Housing, 2 Pin P = 3.5mm |
| 10 | 338185-001 | 3 | Conn Housing, 3 Pin P = 3.5mm |
| 11 | 338186-001 | 2 | Conn Housing, 4 Pin P = 3.5mm |
| 12 | 338287-001 | 1 | Tel. Jack, 8 Pin Telephone Jack |
| 13 | 338290-001 | 4 | SW Knob SMSI (JBL PRO |
| 14 | 338297-001 | 3 | SW Push, 2 Pole 6P Shortin |
| 15 | 338296-001 | 1 | SW Push, 4 Pole 12P Self-Lock |
| 16 | 338203-001 | | |
| 17 | 338204-001 | | |
| 18 | 338205-001 | | |
| 19 | 338852-001 | 2 | IC 11 Pin, LM3886T 68W |
| 20 | 338851-001 | 1 | Cond Elect, 10000UF 63V 20% |
| 21 | 338850-001 | 2 | Cond Elect, 5600UF 50V 20% |
| 22 | 338853-001 | 1 | 1C 3 Pin, 7812 12V 1A |
| 23 | 338854-001 | 1 | 1C 3 Pin, 7912 |
| 24 | 338295-001 | 1 | Cntl Rotry, 5K Ohm C Single |
| 25 | 338294-001 | 1 | Cntl Rotry, 20K Ohm A Single |
| 26 | 338293-001 | 1 | Cntl Rotry, 20K Ohm B Single |
| 27 | 338221-001 | 1 | Single PY, Signal Processor |
| 28 | 338281-001 | 4 | Conn, 2 Pin p = 3.5mm 90' C |
| 29 | 338282-001 | 3 | Conn, 3 Pin p = 3.5mm 90' C |
| 30 | 338283-001 | 2 | Conn, 4 Pin p = 3.5mm 90' C |
| 31 | 338208-001 | 1 | Sub Amp |