



# Service Manual

## PRX908

8" Two-Way Full-Range Main System/  
Floor Monitor with Bluetooth





# Table of Contents

---

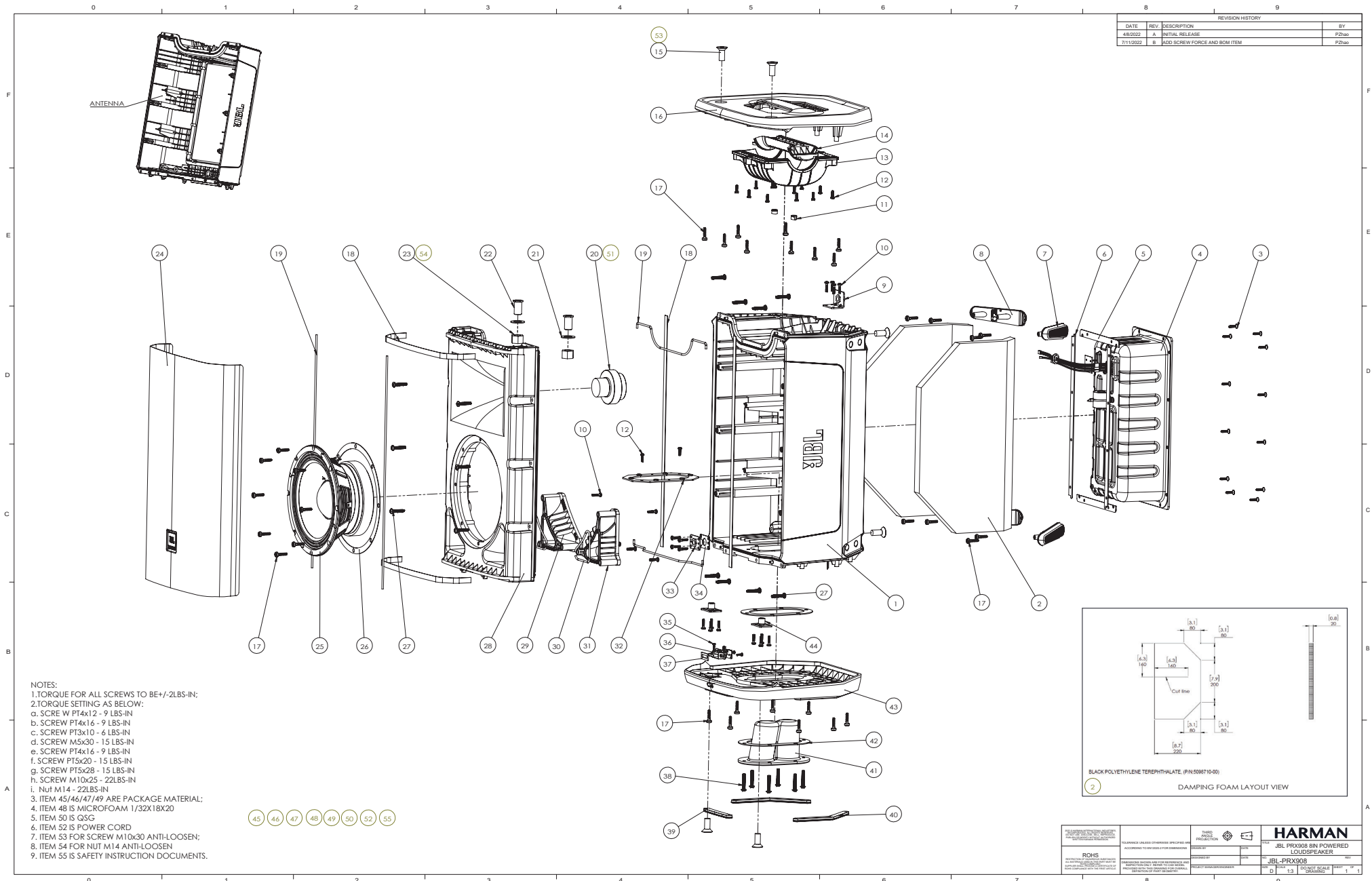
Exploded View Diagrams

System Architecture Diagram

Amplifier Schematics

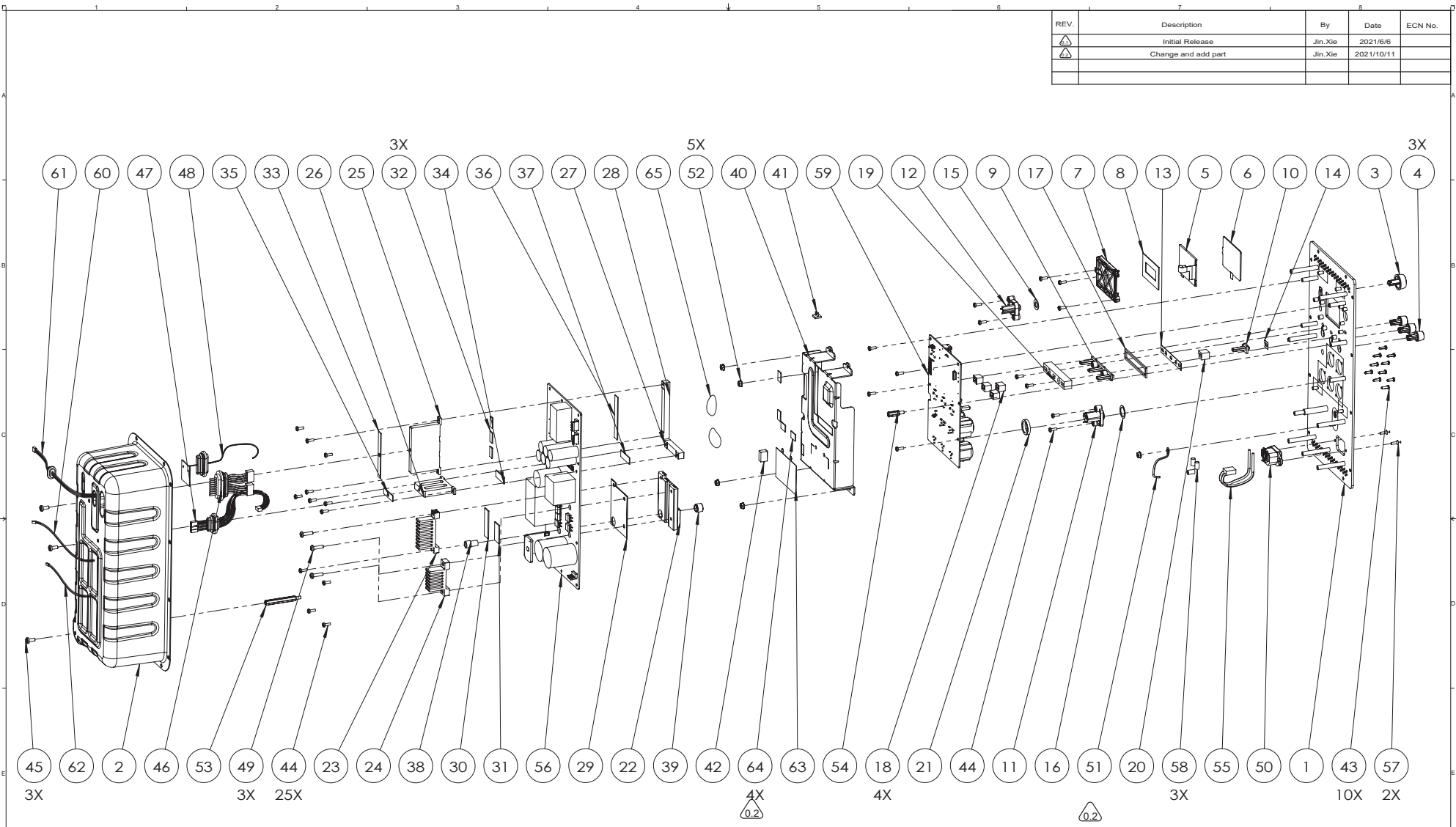
Bill of Materials





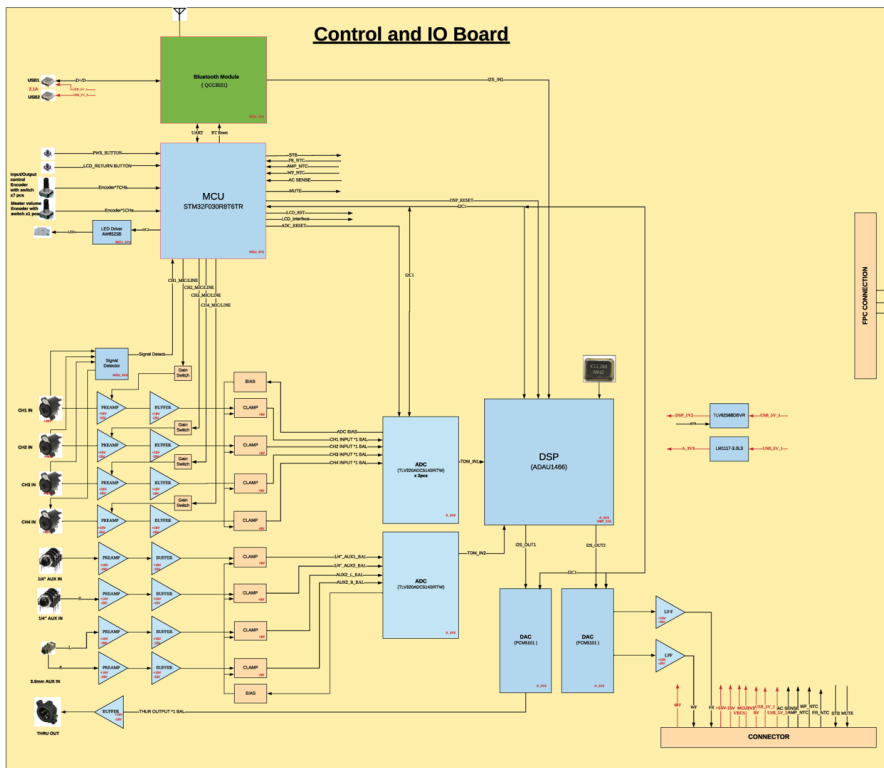
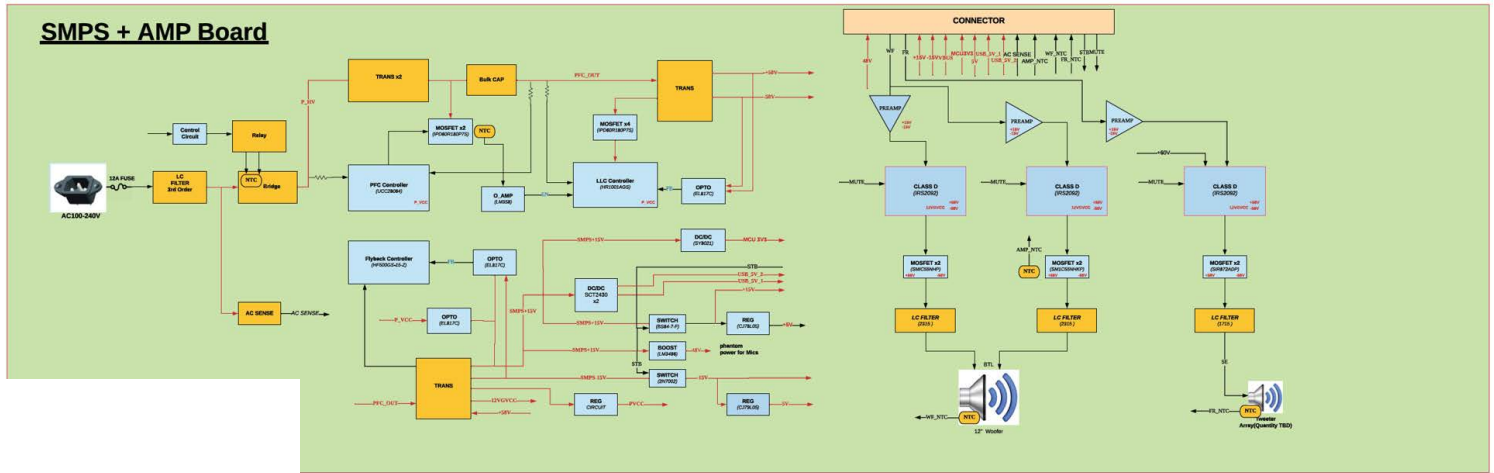
# Exploded View Diagram - Amplifier Module

REV.	Description	By	Date	ECN No.
△	Initial Release	Jin.Xie	2021/6/6	
△	Change and add part	Jin.Xie	2021/10/11	

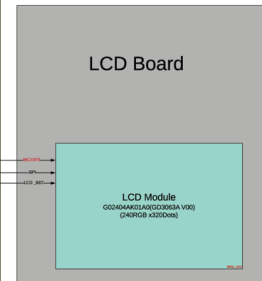


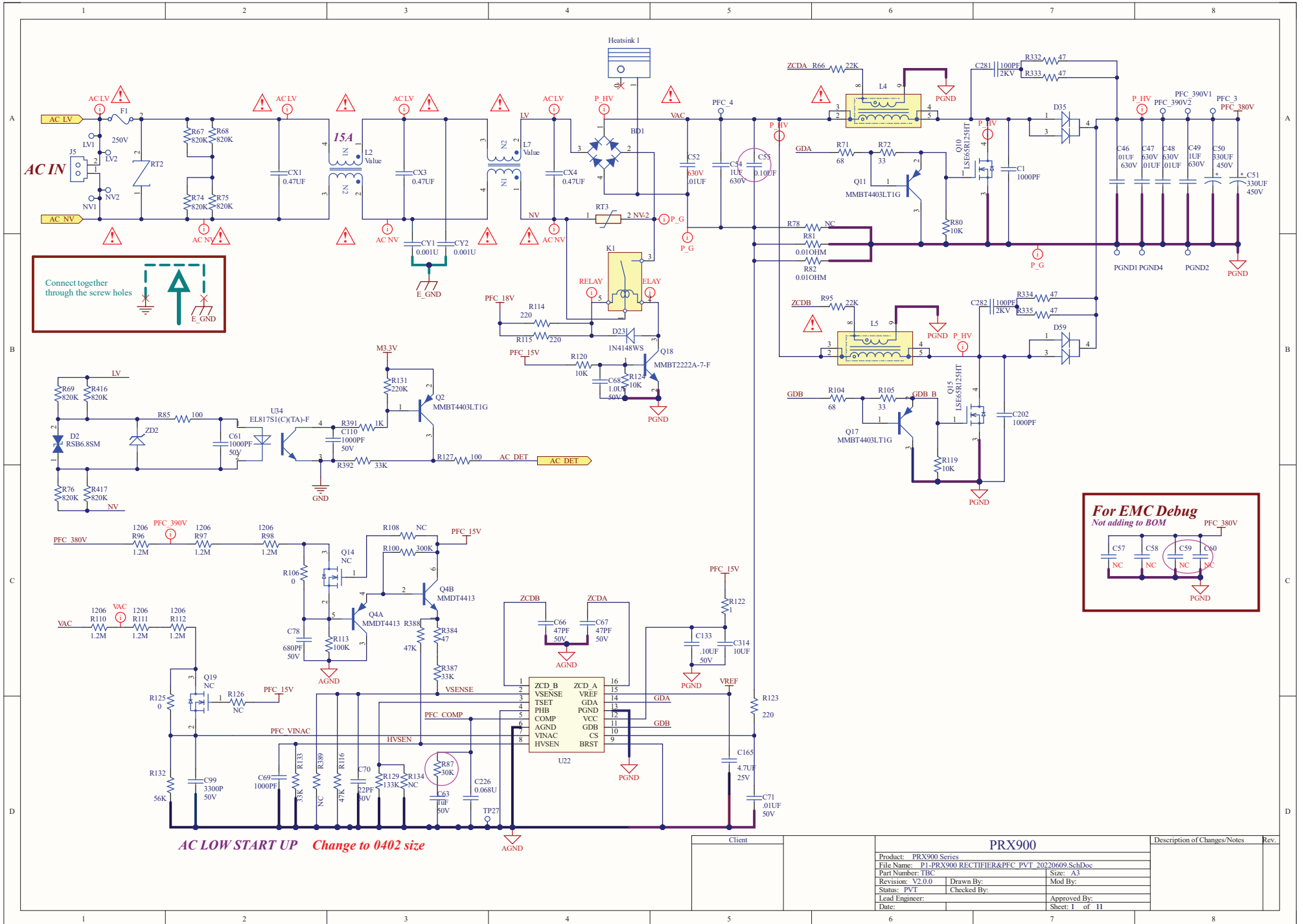
This drawing is the property of Tympheny corporation. It contains material that is confidential and/or legally protected for the sole use of the intended recipient. Any review or distribution by others is strictly prohibited and punishable to the full extent of the law.				Tolerance				PRX 900	
				Angular ±0.25°					
Quotation	Version NO.	Scale : 1:5	Unit : MM	Dimension	F	⊙	H	J	Part NO.
	0.2	Sheet : 1/2	Size : A3	>8-25	±0.08	±0.1	±0.1	±0.2	
Sample	Drawn By	Checked By	Approved By	>8-25	±0.08	±0.15	±0.2	±0.3	DWG NO.
				>25-80	±0.12	±0.2	±0.25	±0.4	
Tooling				>80-250	±0.25	±0.3	±0.4	±0.6	Part Name:
				>250-800	±0.5	±0.6	±0.8	±1.0	
Official Issue				>800-2500	±1.0	±1.0	±1.5	±1.7	PRX908 AMPLIFIER ASSY K
				>2500-	±2.0	±2.0	±3.0	±3.0	



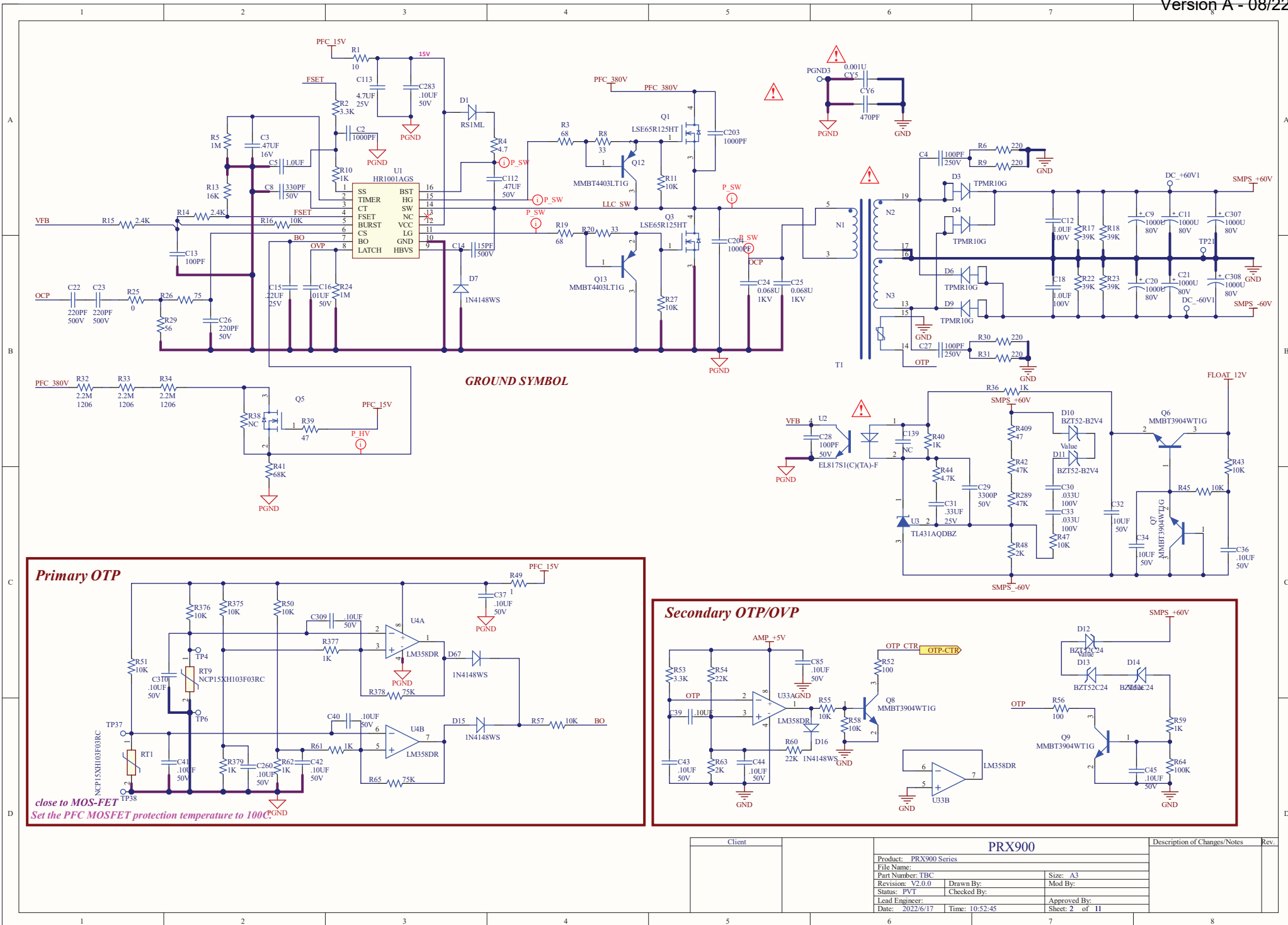


## Input, DSP and IO



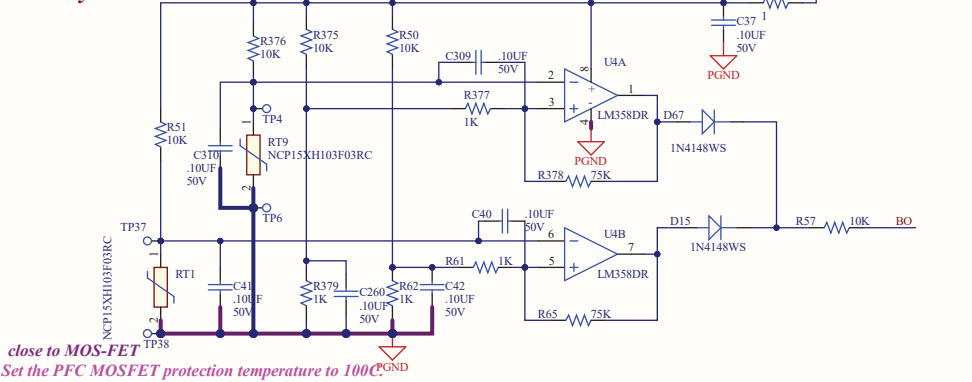


PRX900			Description of Changes/Notes	Rev.
Product: PRX900 Series				
File Name: P1-PRX900 RECTIFIER&PFC_PVT_20220609_SchDoc				
Part Number: TBC			Size: A3	
Revision: V2.0.0	Drawn By:	Mod By:		
Status: PVT	Checked By:	Approved By:		
Lead Engineer:			Sheet: 1 of 11	
Date:				



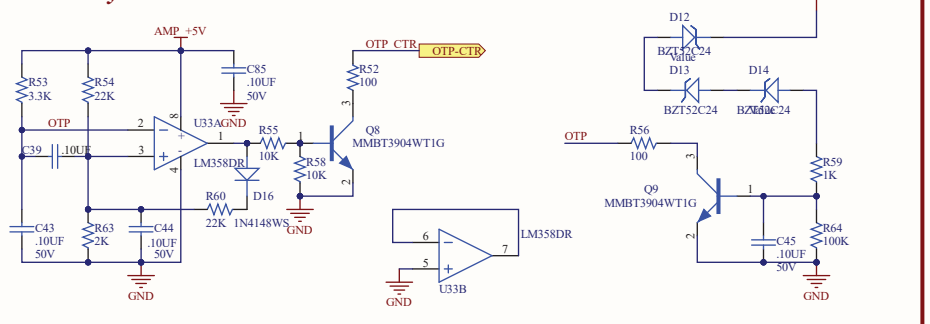
**GROUND SYMBOL**

**Primary OTP**



close to MOS-FET  
Set the PFC MOSFET protection temperature to 100°C (PGND)

**Secondary OTP/OVP**



OTP CTR (OTP-CTR)

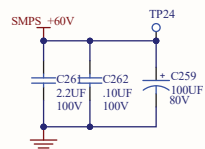
Client	Product: PRX900 Series	Description of Changes/Notes	Rev.
	File Name:		
	Part Number: TBC	Size: A3	
	Revision: V2.0.0	Drawn By:	Mod By:
	Status: PVT	Checked By:	
	Lead Engineer:	Approved By:	
	Date: 2022/6/17	Time: 10:52:45	Sheet: 2 of 11



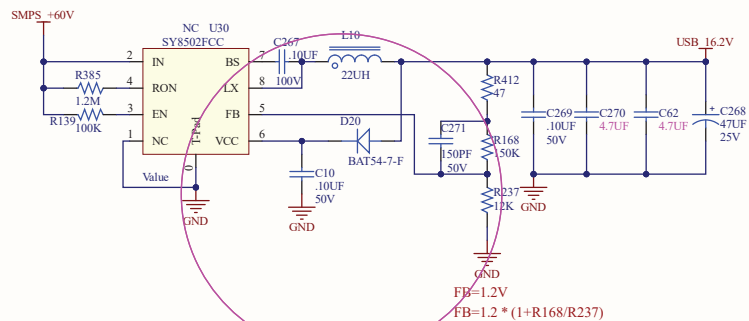




**BUCK IC (SMPS\_+60V TO USB\_16.2V)**



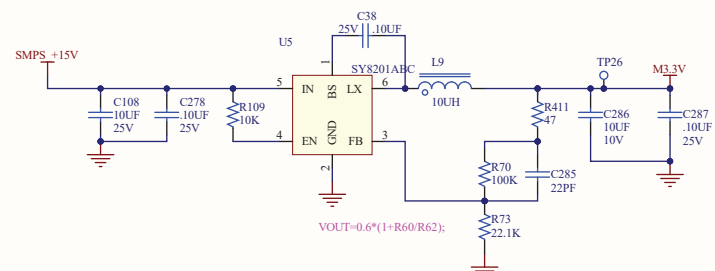
NC FOR FAN OPTION



$$FB=1.2V$$

$$FB=1.2 * (1+R168/R237)$$

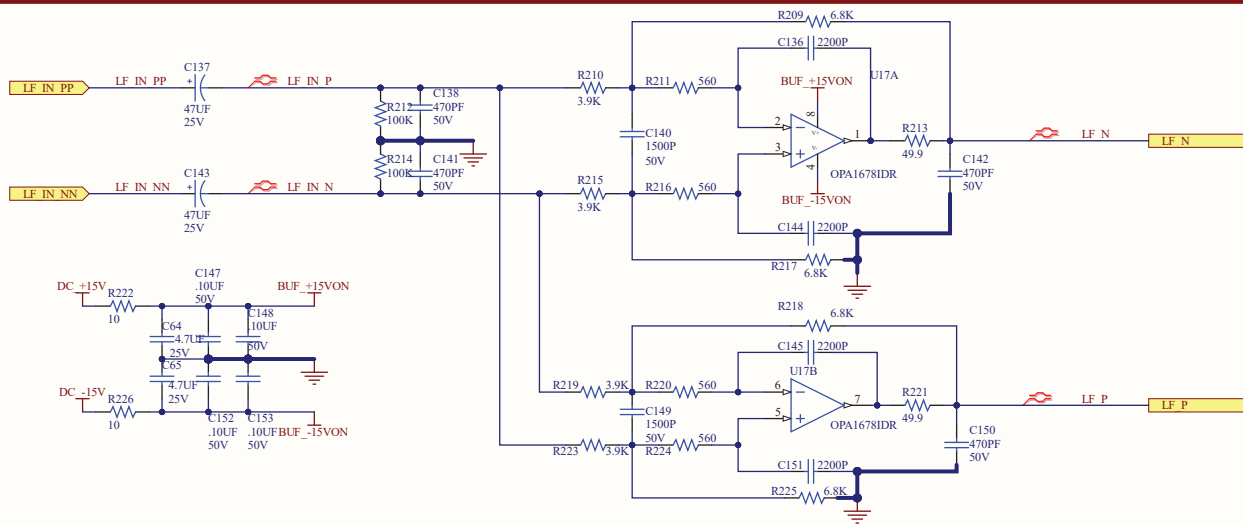
**BUCK IC (SMPS\_+15V TO M3.3V)**



$$VOUT=0.6*(1+R60/R62);$$

Client	PRX900		Description of Changes/Notes	Rev.
	Product: PRX900 Series			
File Name: P4-PRX900 POWER_PVT_20220513.SchDoc		Size: A3		
Part Number: TBC		Drawn By:	Mod By:	
Revision: V2.0.0		Checked By:	Approved By:	
Status: PVT		Date:	Sheet: 4 of 11	

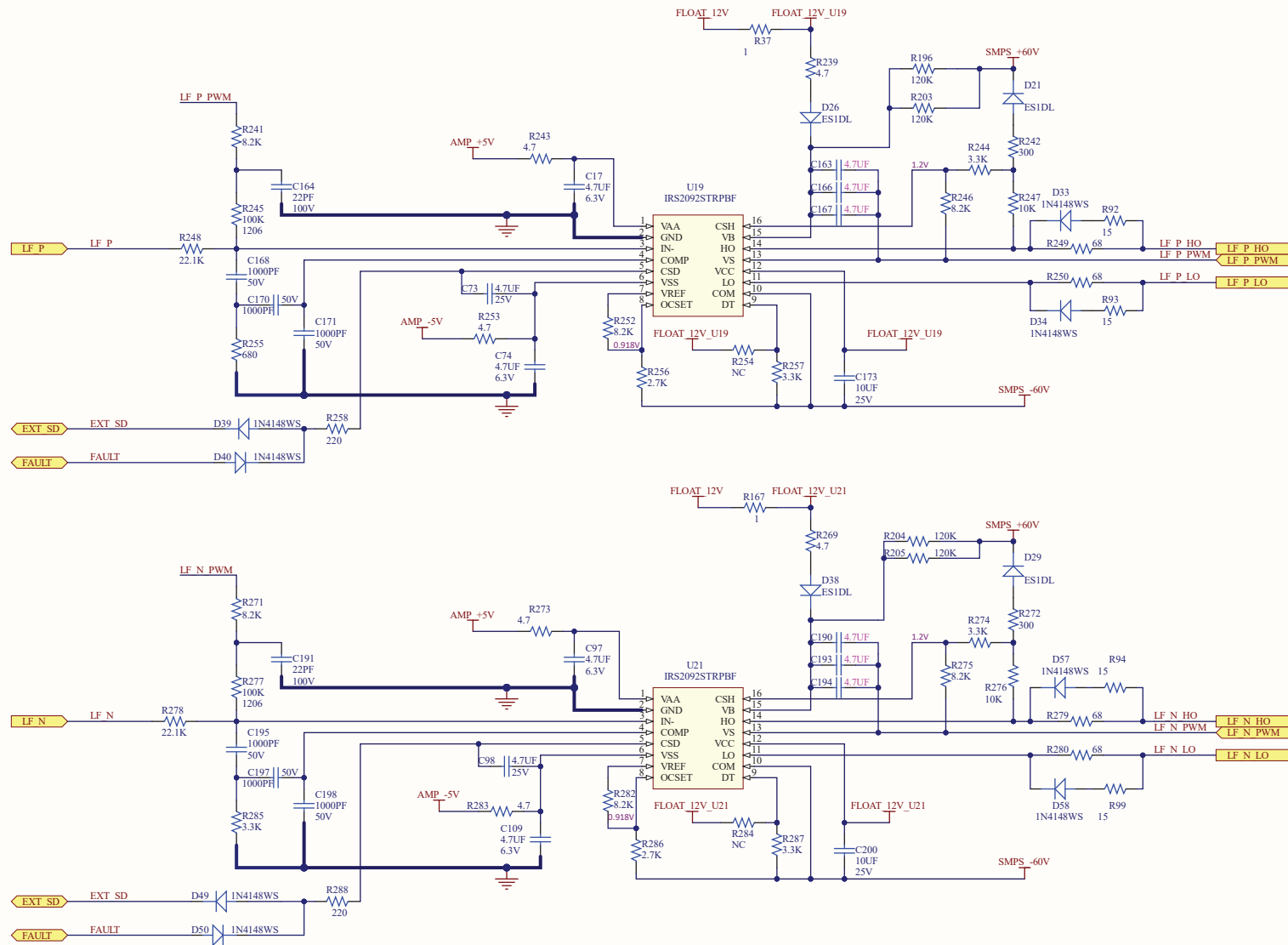
**LF INPUT BUFER**



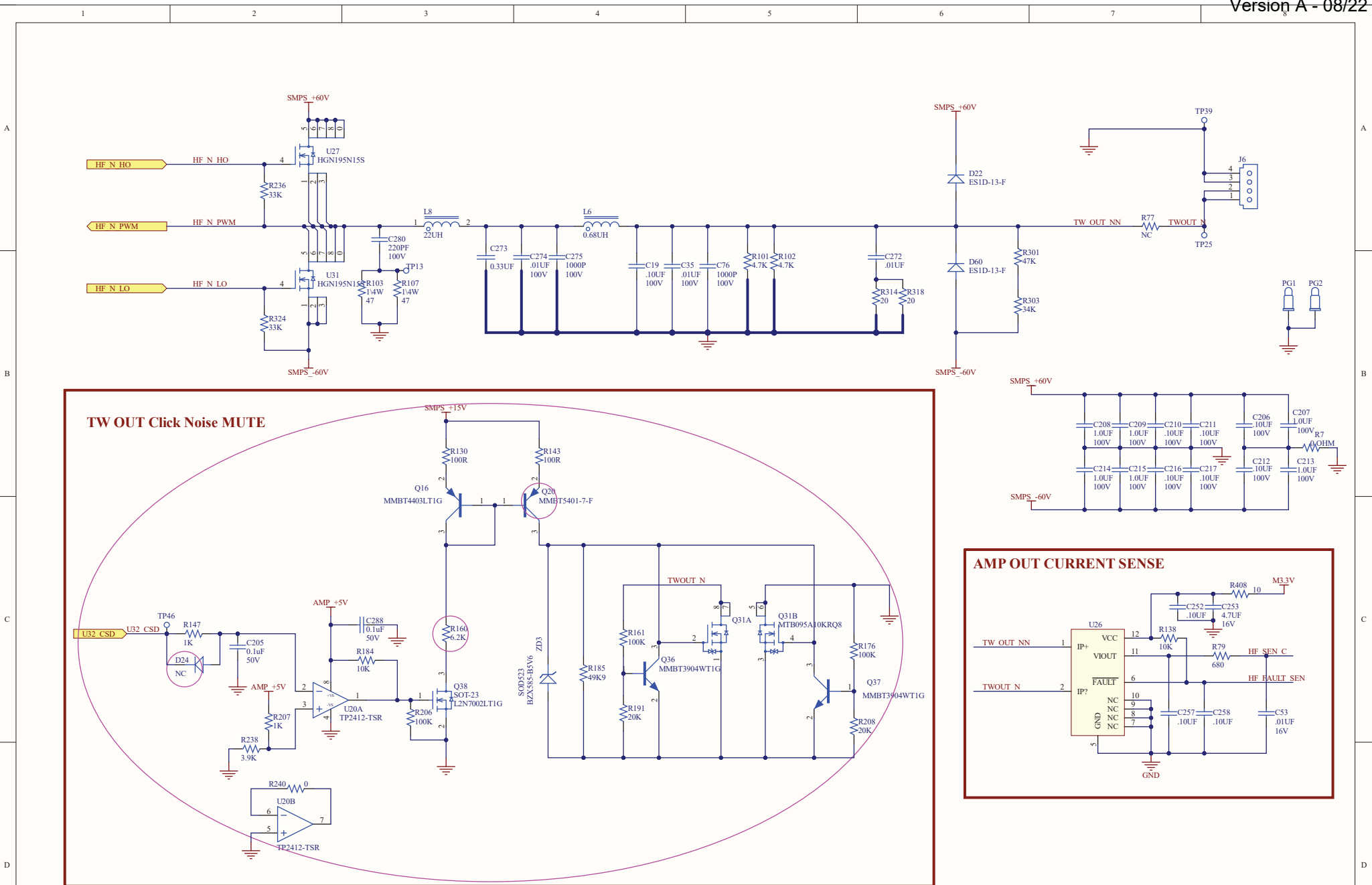
**HF INPUT BUFER**

Client	PRX900	Description of Changes/Notes	Rev
Product: PRX900 Series			
File Name: P5-PRX900 INPUT PVT_20220609.SchDoc			
Part Number: TBC	Size: A3		
Revision: V2.0.0	Drawn By:	Mod By:	
Status: PVT	Checked By:	Approved By:	
Lead Engineer:		Sheet: 5 of 11	
Date:			

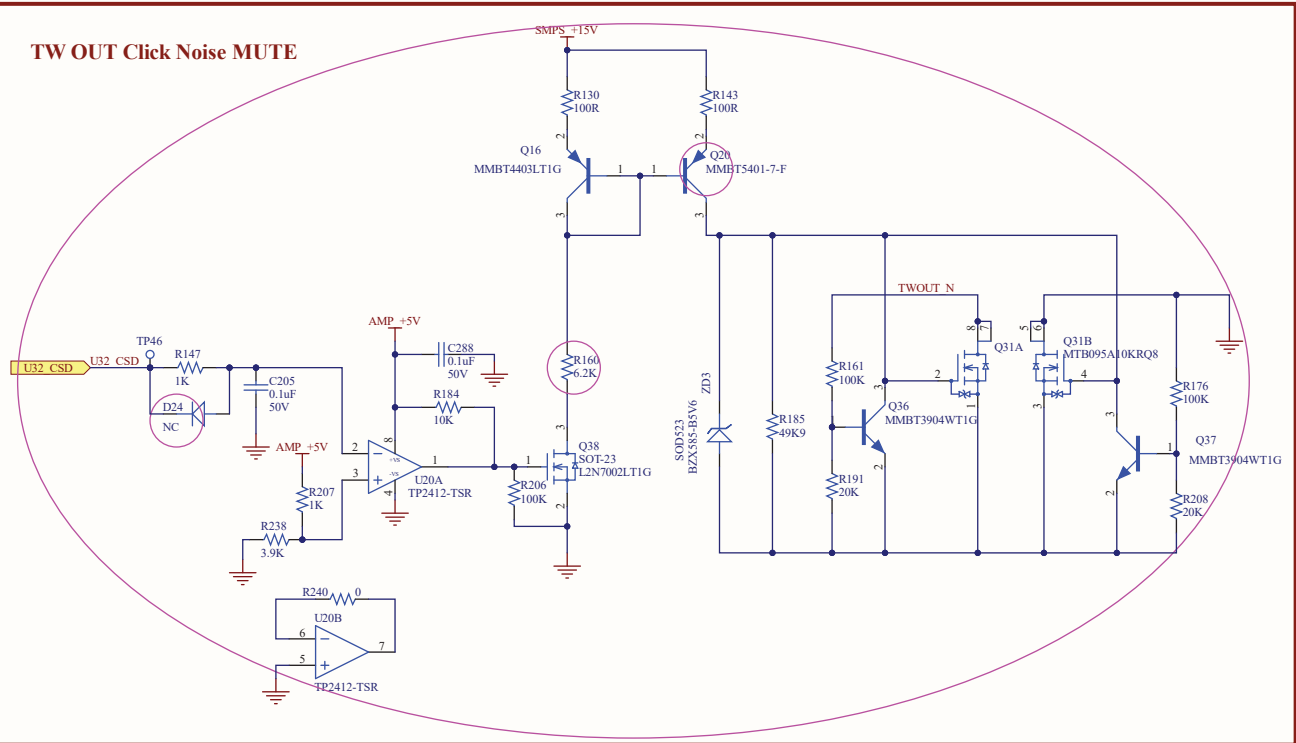
**POWER AMP CONTROLLER**



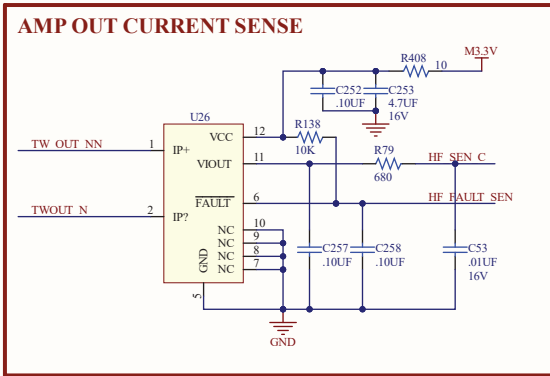
Client	PRX900	Description of Changes/Notes	Rev.
Product: PRX900 Series			
File Name: P7-PRX900 IRS2092 WF PVT 20220513.SchDoc			
Part Number: TBC	Size: A3		
Revision: V2.0.0	Drawn By:	Mod By:	
Status: PVT	Checked By:	Approved By:	
Lead Engineer:			
Date:		Sheet: 7 of 11	



**TW OUT Click Noise MUTE**

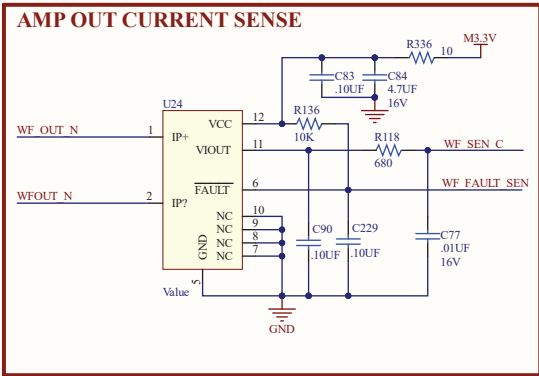
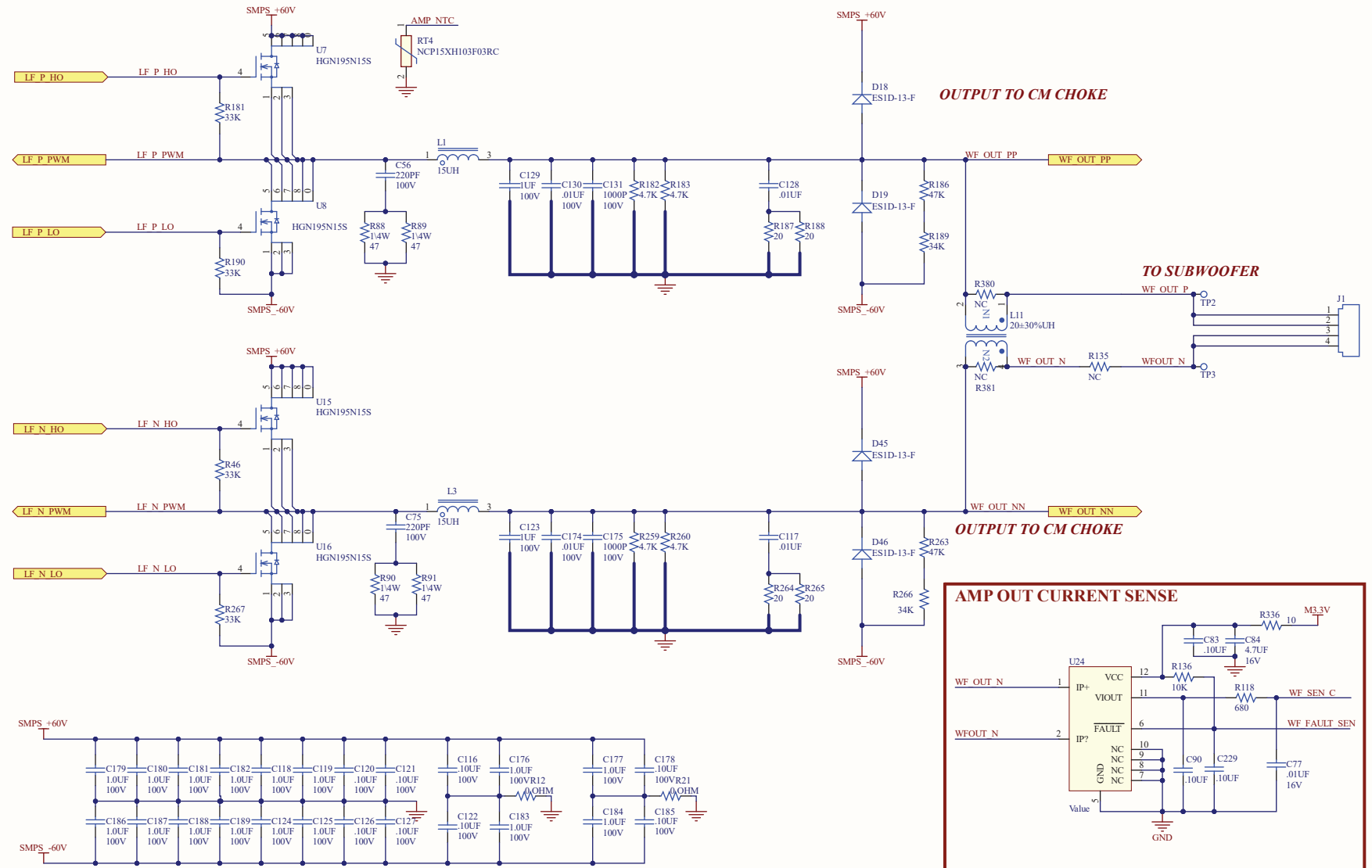


**AMP OUT CURRENT SENSE**

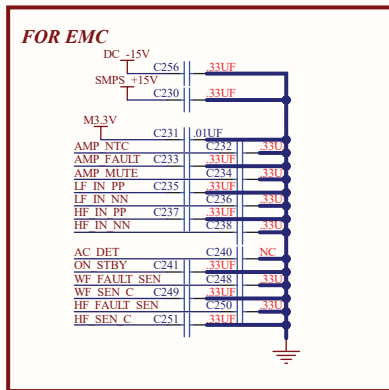
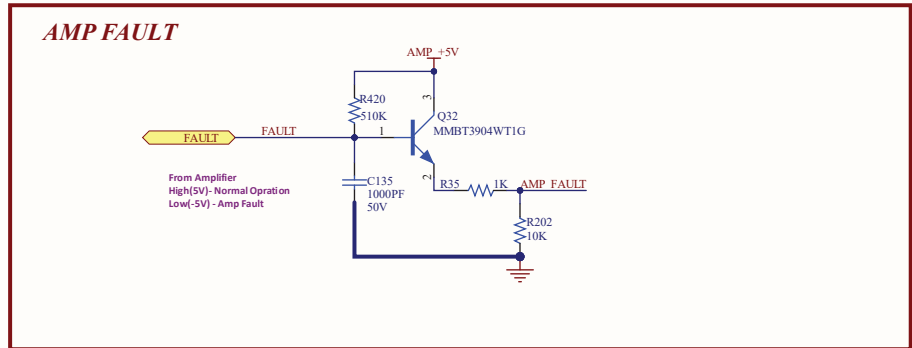
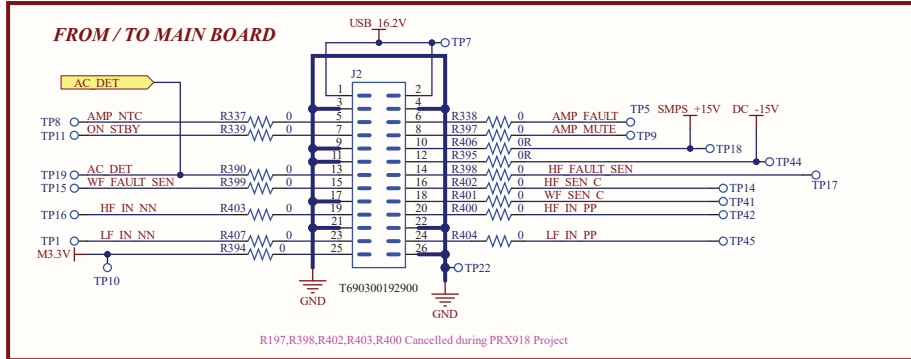
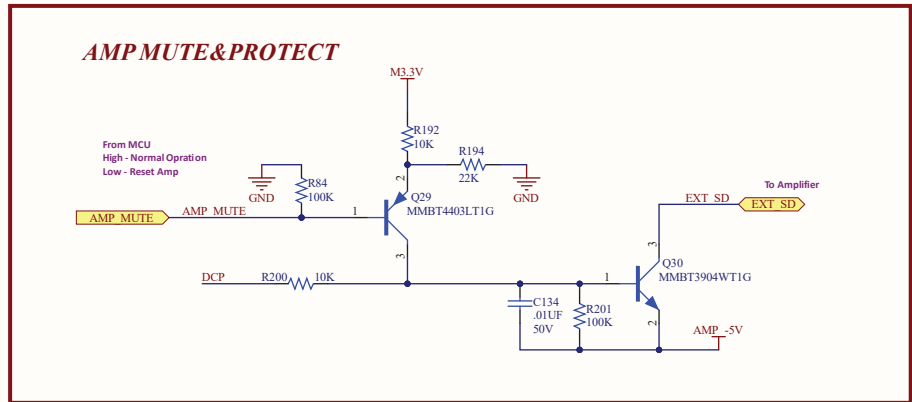
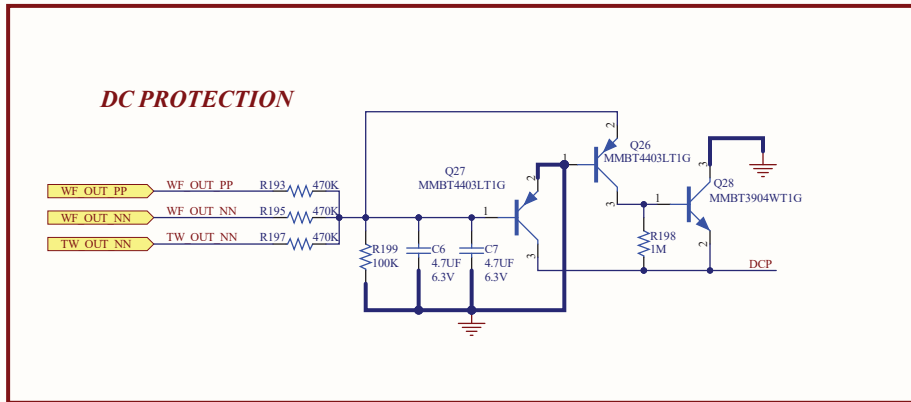


Client		PRX900		Description of Changes/Notes		Rev.
Product:	PRX900 Series	File Name:	P8-PRX900 AMP OUTPUT_TW_PVT_20220609.SchDoc	Size:	A3	
Part Number:	TBC	Revision:	V2.0.0	Drawn By:	Mod By:	
Status:	PVT	Lead Engineer:	Checked By:	Approved By:		
Date:				Sheet:	8 of 11	

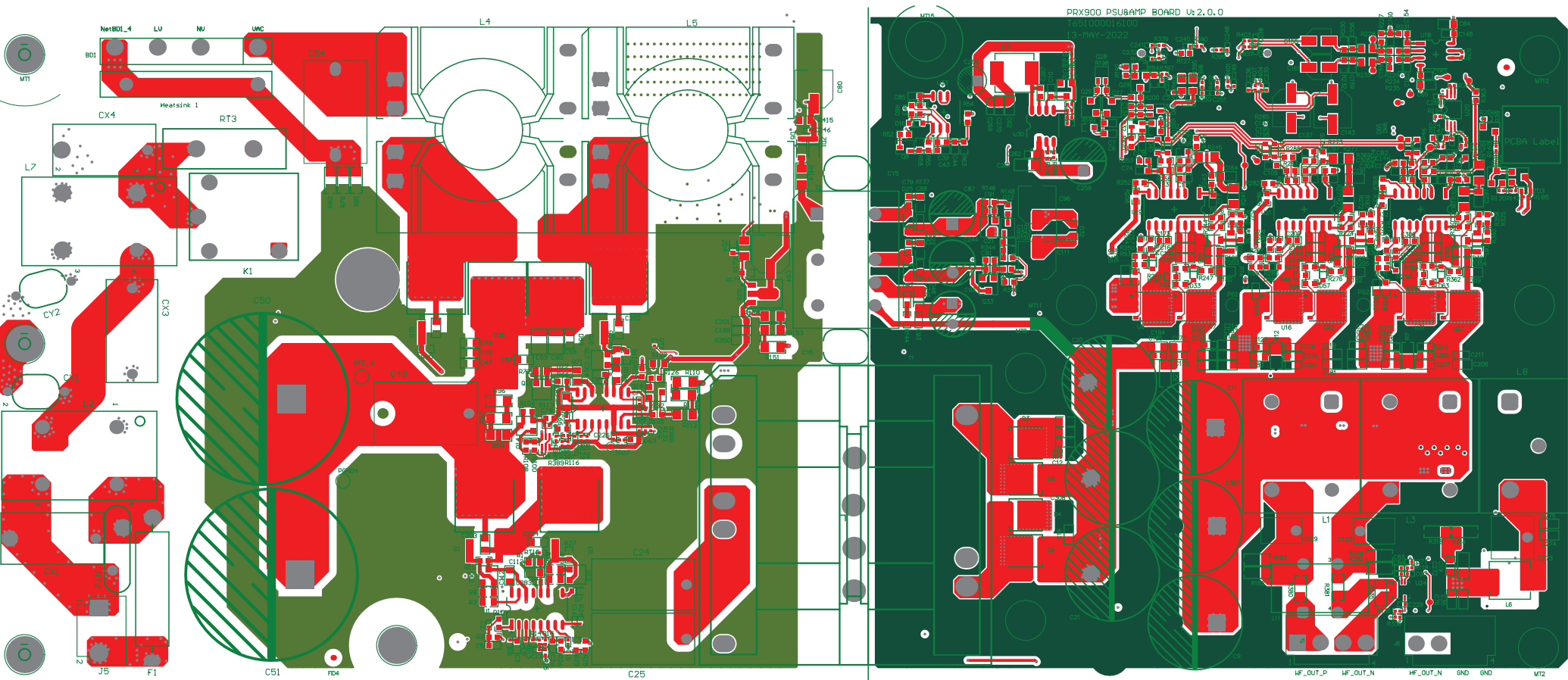
**POWER AMP OUTPUT STAGE**



Client		PRX900		Description of Changes/Notes		Rev.
Product: PRX900 Series						
File Name: P9-PRX900 AMP OUTPUT WF PVT 20220513.SchDoc						
Part Number: TBC			Size: A3			
Revision: V2.0.0		Drawn By:		Mod By:		
Status: PVT		Checked By:		Approved By:		
Lead Engineer:				Date:		
				Sheet: 9 of 11		

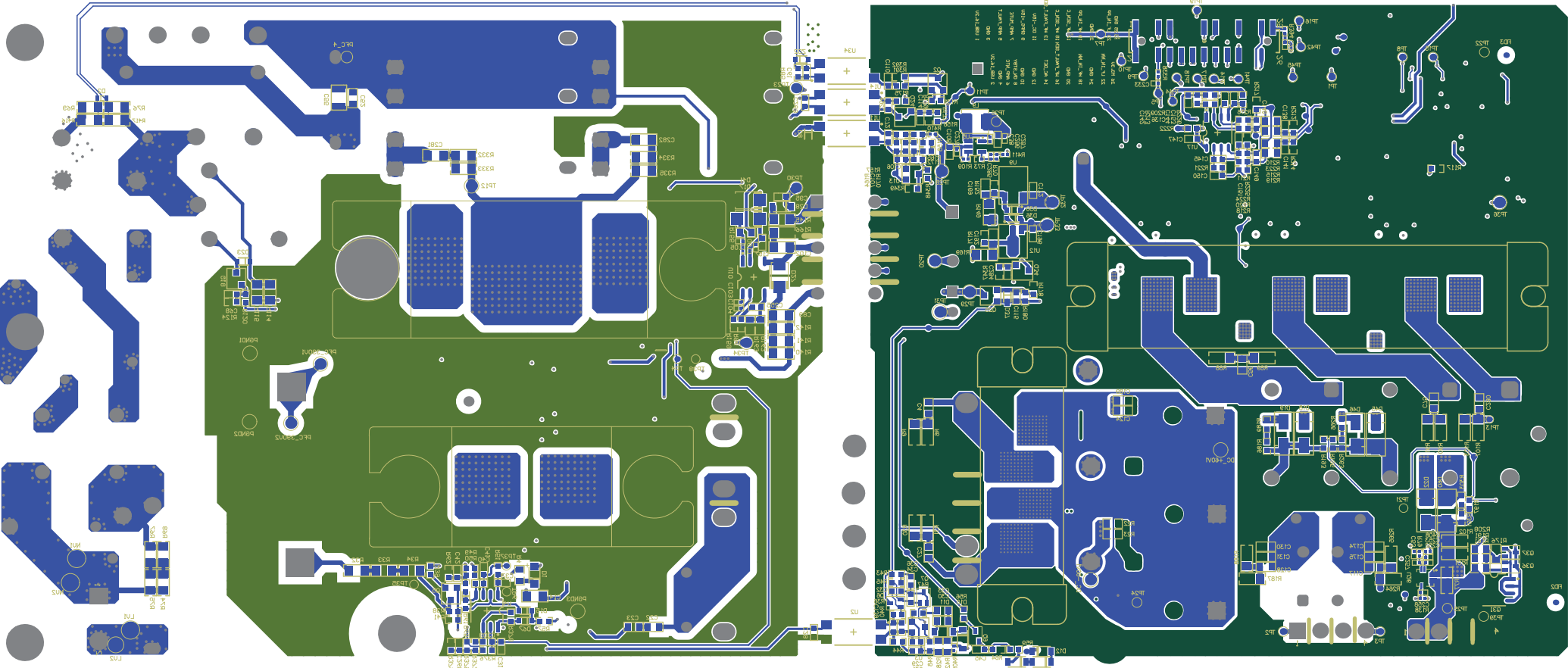


Client	Product: PRX900	Description of Changes/Notes	Rev.
	Product: PRX900 Series		
	File Name: P10-PRX900 AMP PROTECTION_PVT_20220513.SchDoc		
	Part Number: TBC	Size: A3	
	Revision: V2.0.0	Drawn By:	Mod By:
	Status: PVT	Checked By:	
	Lead Engineer:	Approved By:	
	Date:	Sheet: 10 of 11	



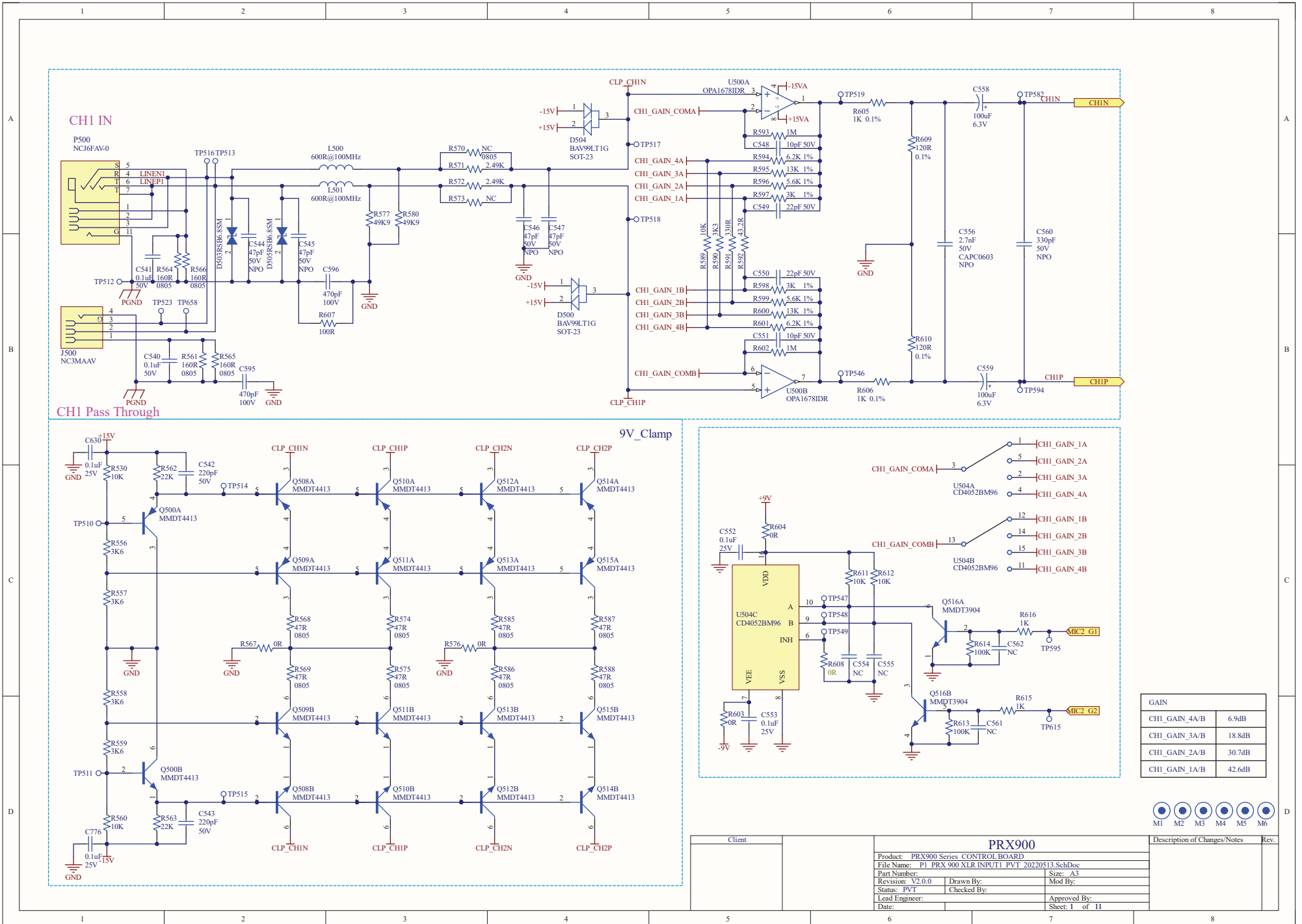
Top Layer Top Overlay





Bottom Panel

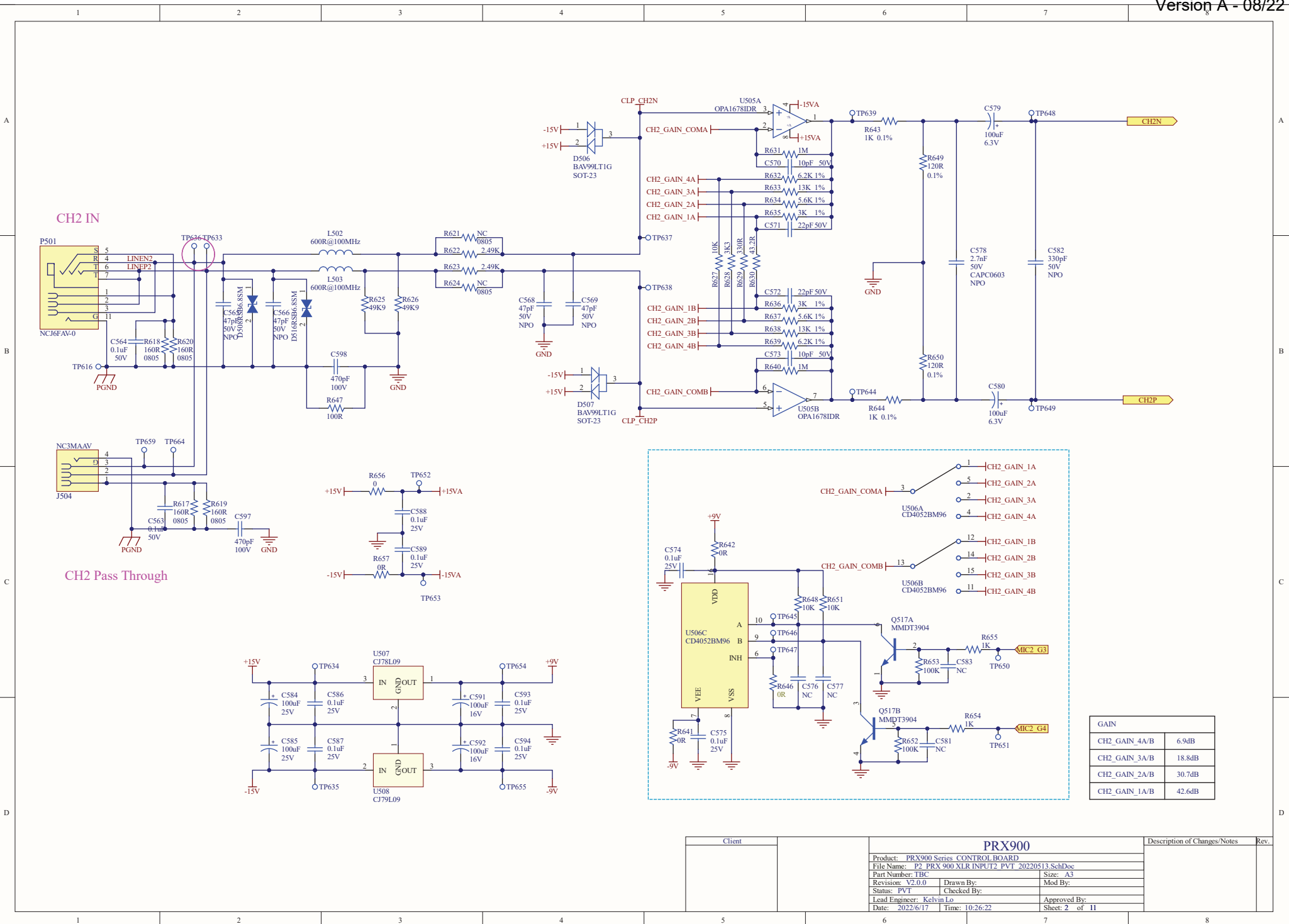
Borrow Overlay

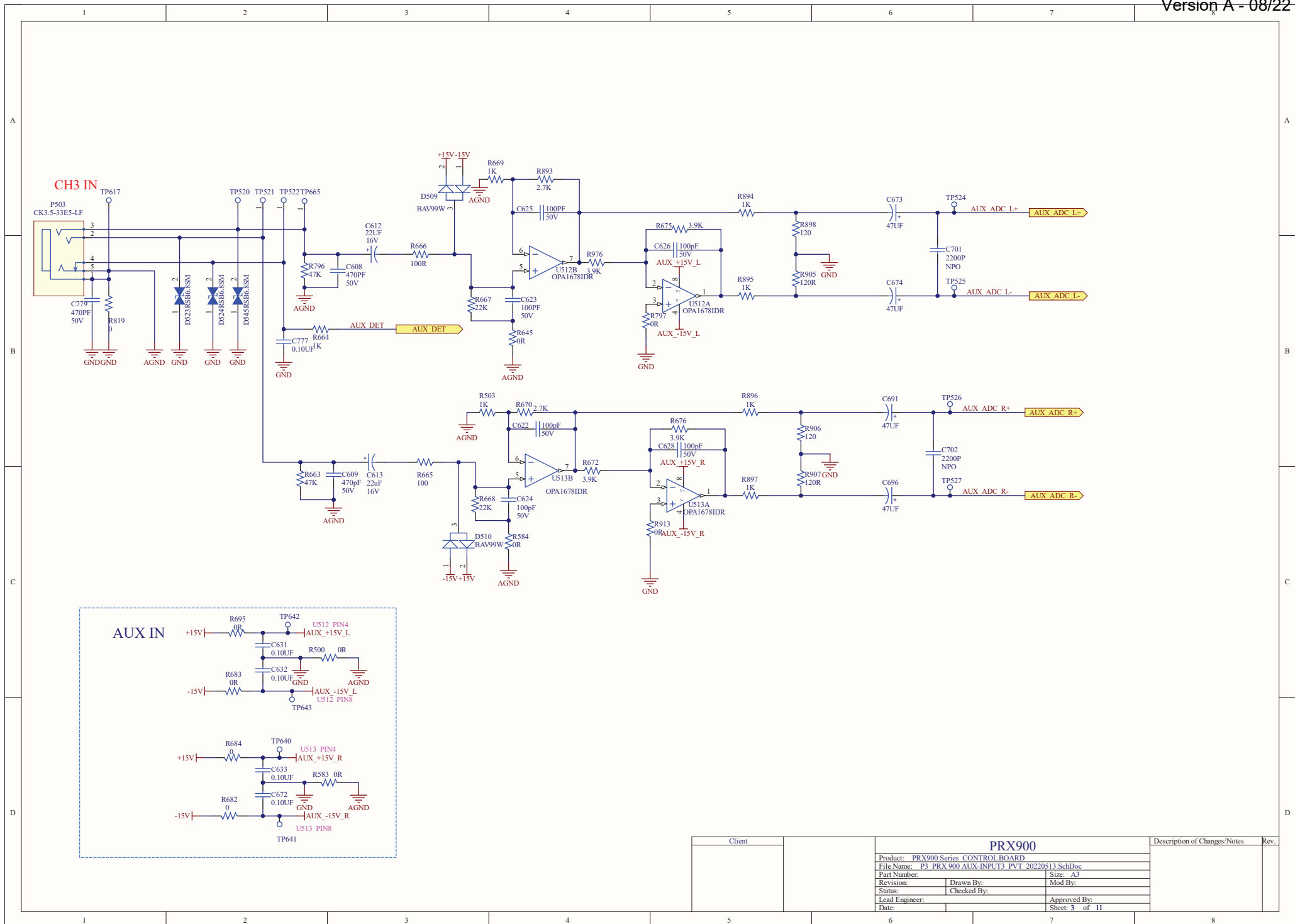


GAIN	
CH1_GAIN_4A/B	6.9dB
CH1_GAIN_3A/B	18.8dB
CH1_GAIN_2A/B	30.7dB
CH1_GAIN_1A/B	42.6dB



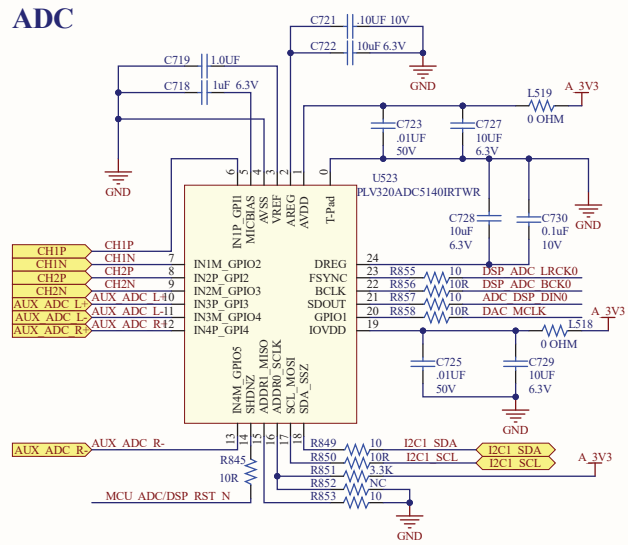
Client	PRX900		Description of Changes/Notes	Rev.
	Product: PRX900 Series CONTROL BOARD			
	File Name: P1_PRX_900_XLR_INPUT1_PVT_20220513_SchDoc			
	Part Number:	Size: A3		
	Revision: V2.0.0	Drawn By:	Mod By:	
	Status: PVT	Checked By:	Approved By:	
	Lead Engineer:		Date:	
			Sheet: 1 of 11	



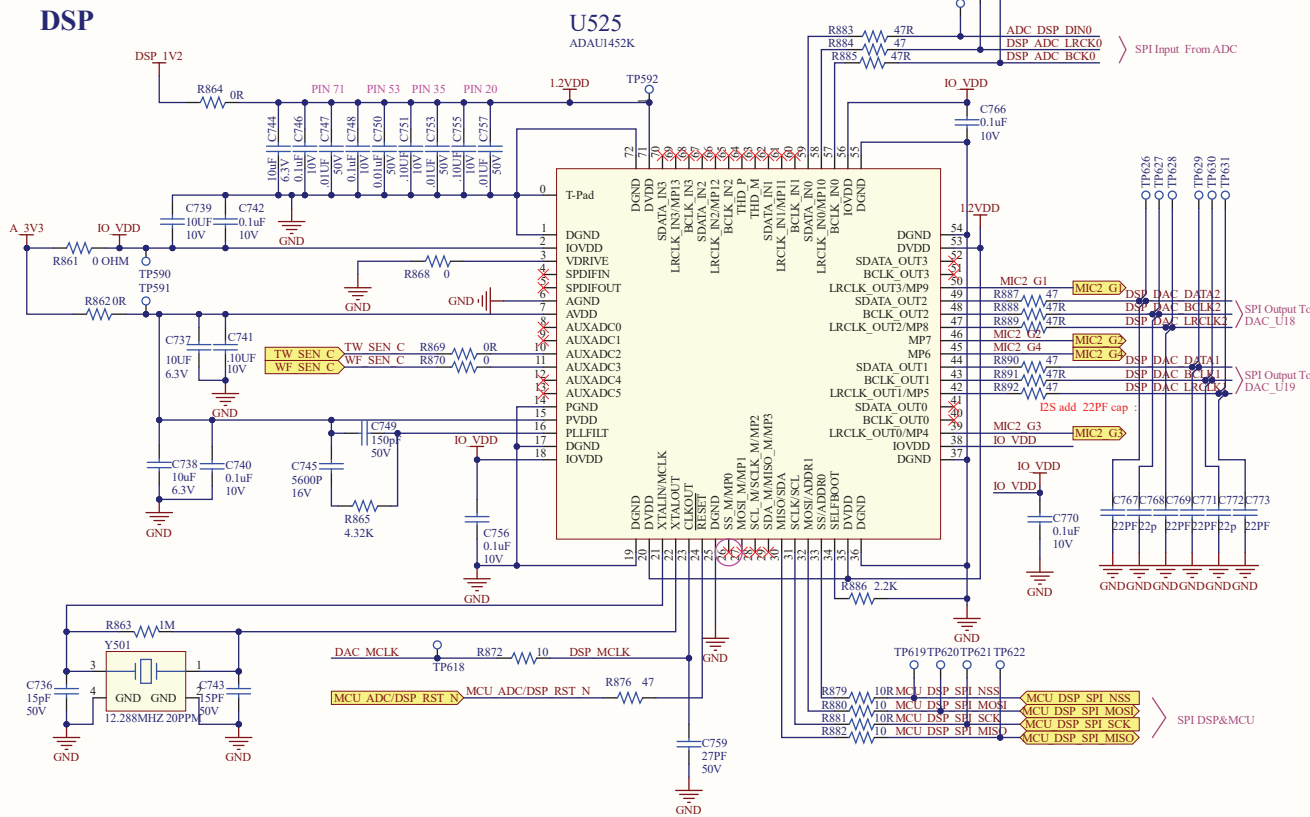


Client	PRX900		Description of Changes/Notes	Rev.
	Product: PRX900 Series CONTROL BOARD			
	File Name: P3_PRX_900_AUX-INPUT3_PVT_20220513.SchDoc			
	Part Number:	Size: A3		
	Revision:	Drawn By:	Mod By:	
	Status:	Checked By:	Approved By:	
	Lead Engineer:			
	Date:		Sheet: 3 of 11	

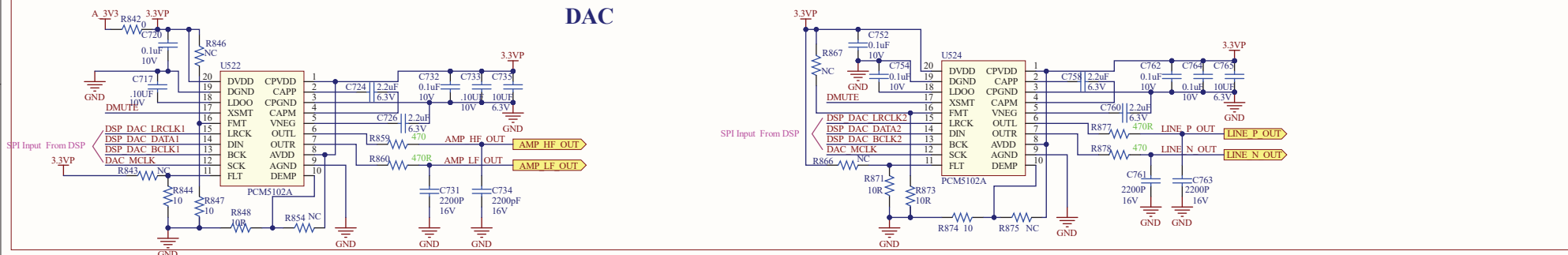
ADC



DSP



DAC

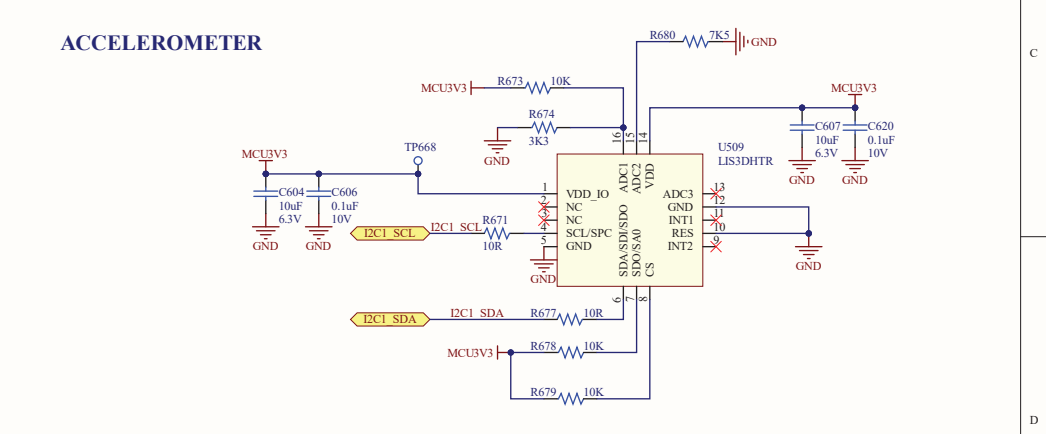
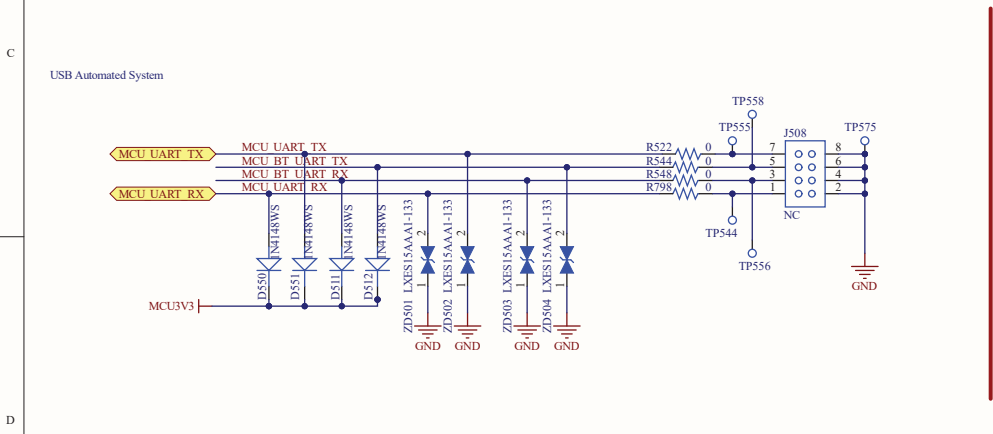
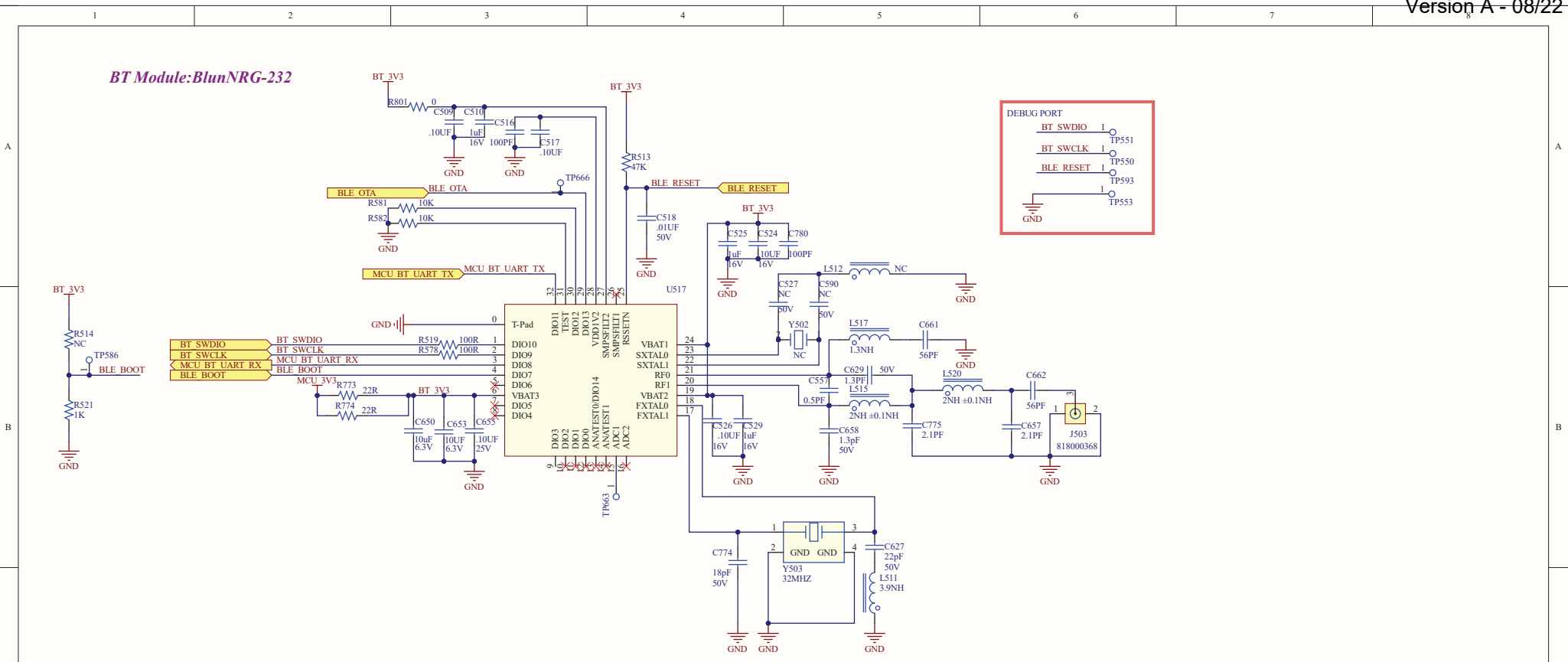


Client	Product: PRX900 Series CONTROL BOARD	Description of Changes/Notes	Rev.
	File Name: P4_PRX_900 DSP&ADC-DAC_PVT_20220513.SchDoc		
	Part Number: Size: A3		
	Revision: V2.0.0 Drawn By: Mod By:		
	Status: PVT Checked By: Approved By:		
	Date: Sheet: 4 of 11		



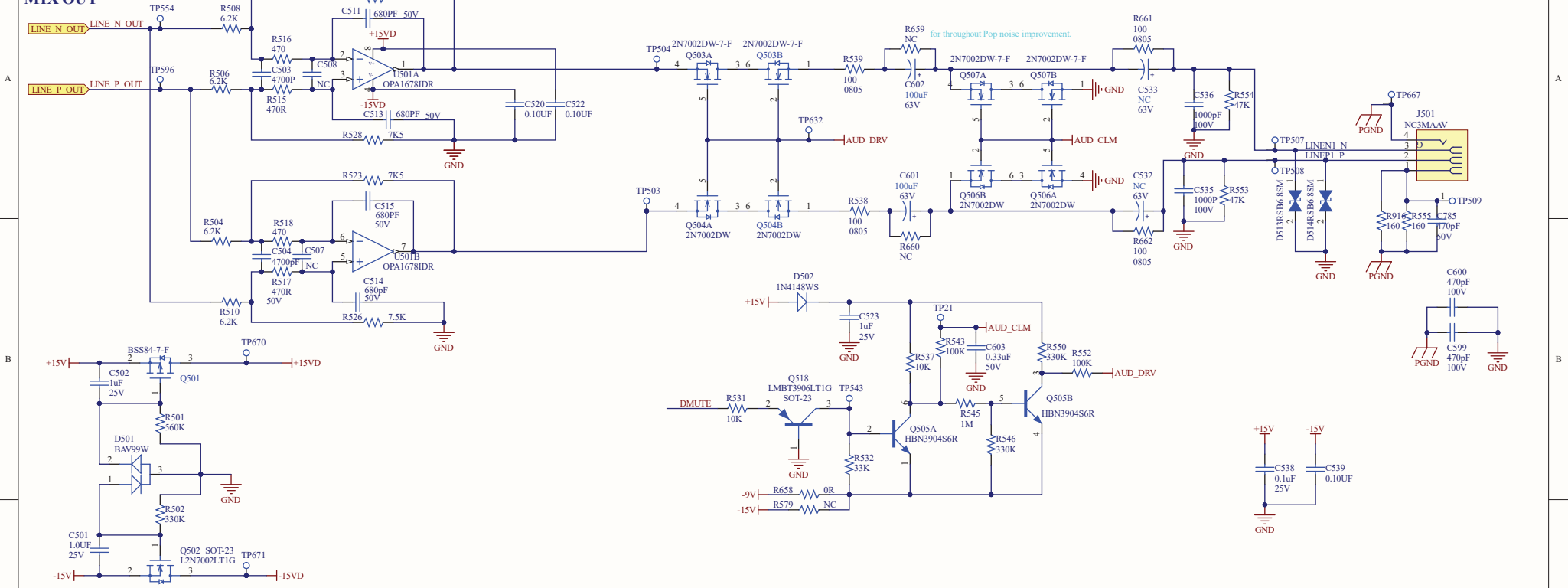




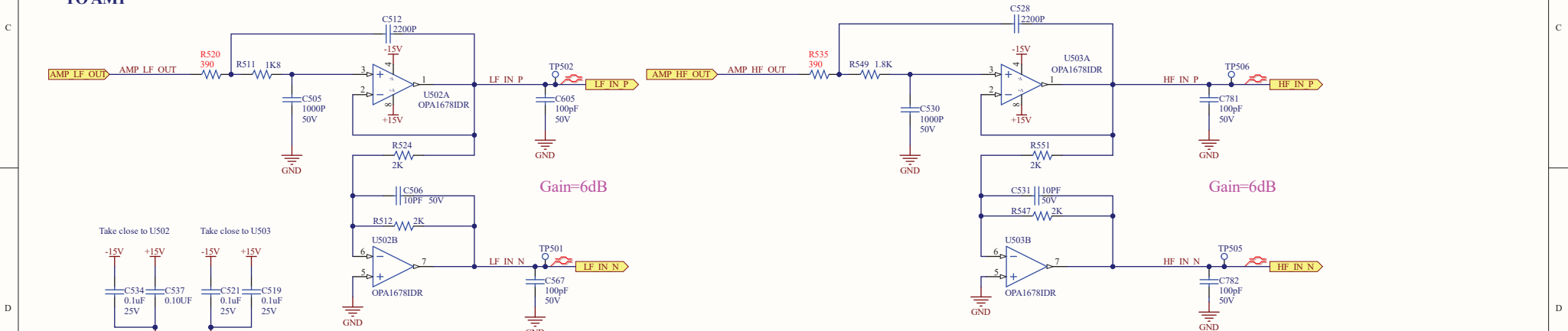


Client	PRX900		Description of Changes/Notes	Rev.
Product:	PRX900 Series CONTROL BOARD			
File Name:	P7_PRX_900_BLE_PVT_20220513.SchDoc			
Part Number:	TBC	Size:	A3	
Revision:	V2.0.0	Drawn By:	Mod By:	
Status:	PVT	Checked By:	Approved By:	
Lead Engineer:				
Date:				
			Sheet: 7 of 11	

MIX OUT

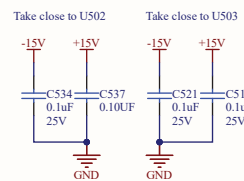


TO AMP



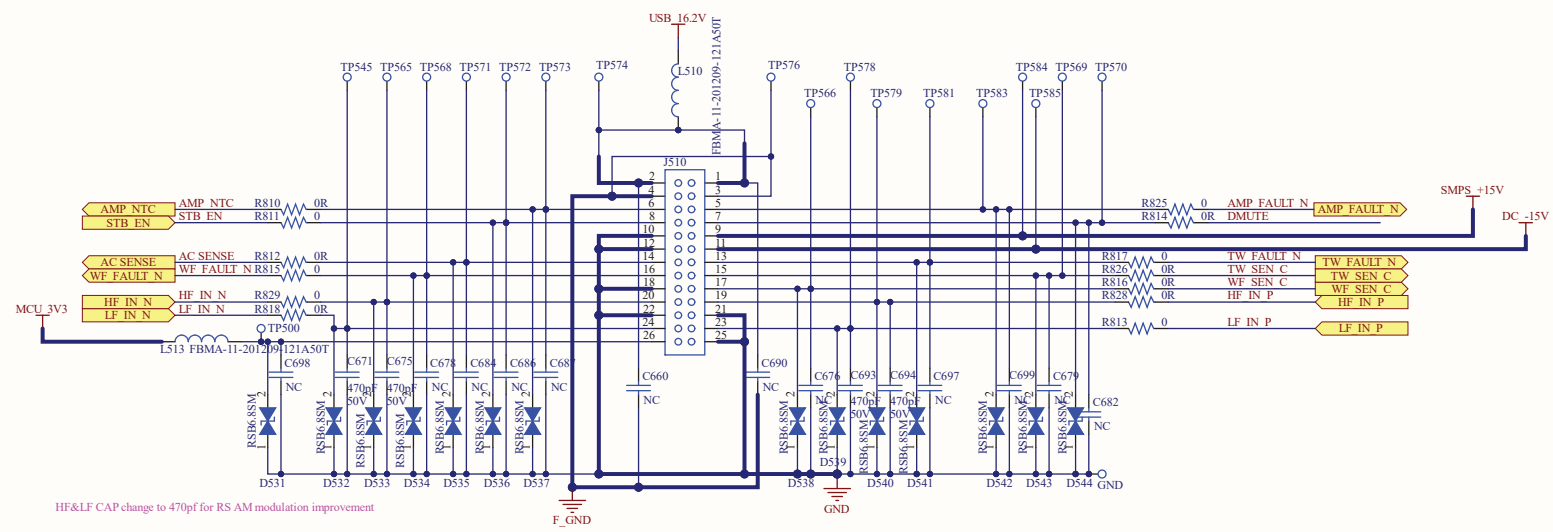
Gain=6dB

Gain=6dB

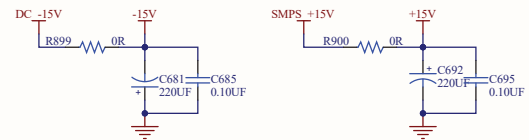


Client	Product: PRX900 Series CONTROL BOARD	Description of Changes/Notes	Rev.
	File Name: P8_PRX_900_AMP-INPUT&THRU-OUT_PVT_20220513_SchDoc		
	Part Number: TBC		
	Revision: V2.0.0	Size: A3	
	Status: PVT	Mod By:	
	Lead Engineer:	Checked By:	
	Date:	Approved By:	
		Sheet: 8 of 11	

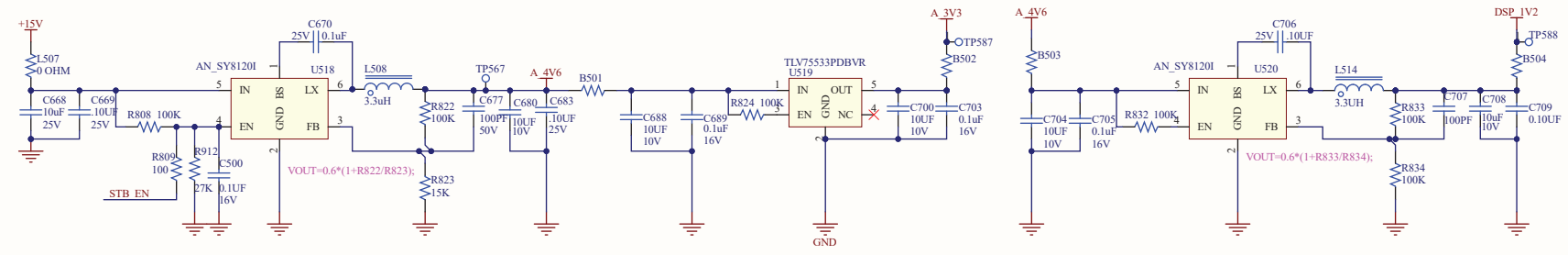
FROM / TO SMPS&AMP BOARD



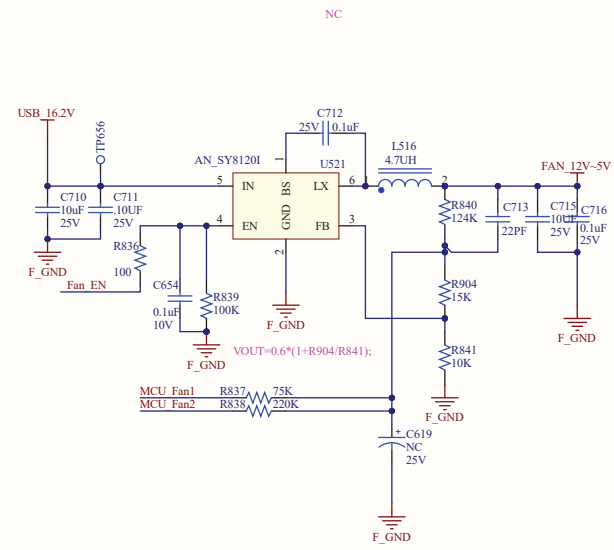
HF&LF CAP change to 470pf for RS AM modulation improvement



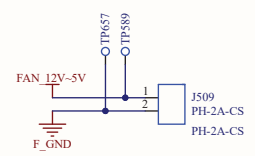
DSP POWER



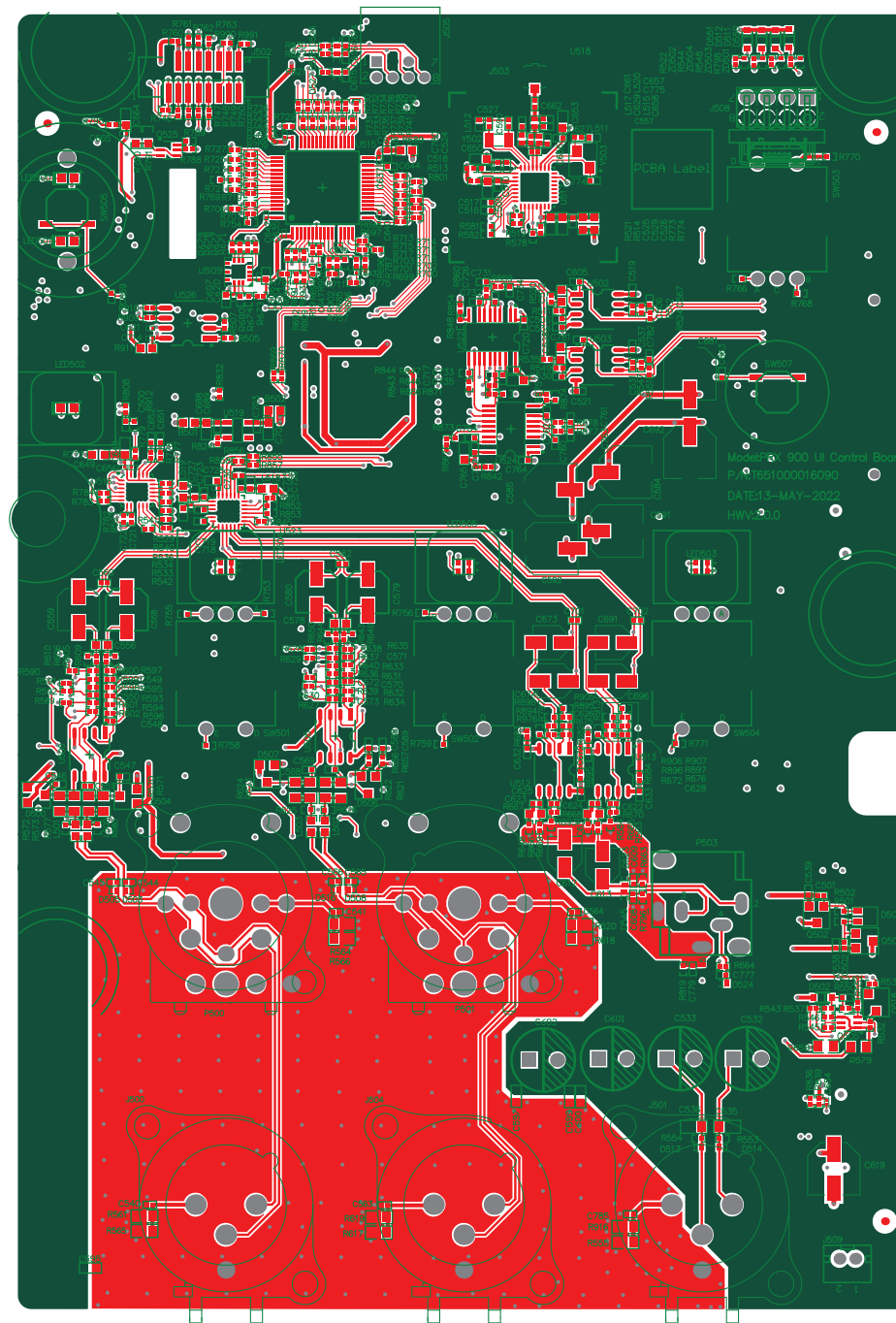
Client	PRX900		Description of Changes/Notes	Rev.
	Product: PRX900 Series CONTROL BOARD			
	File Name: P9_PRX_900_CONNECTOR&DSP-PWR_PVT_20220513.SchDoc			
	Part Number: TBC	Size: A3		
	Revision: V2.0.0	Drawn By:	Mod By:	
	Status: PVT	Checked By:	Approved By:	
	Lead Engineer:			
	Date:		Sheet: 9 of 11	



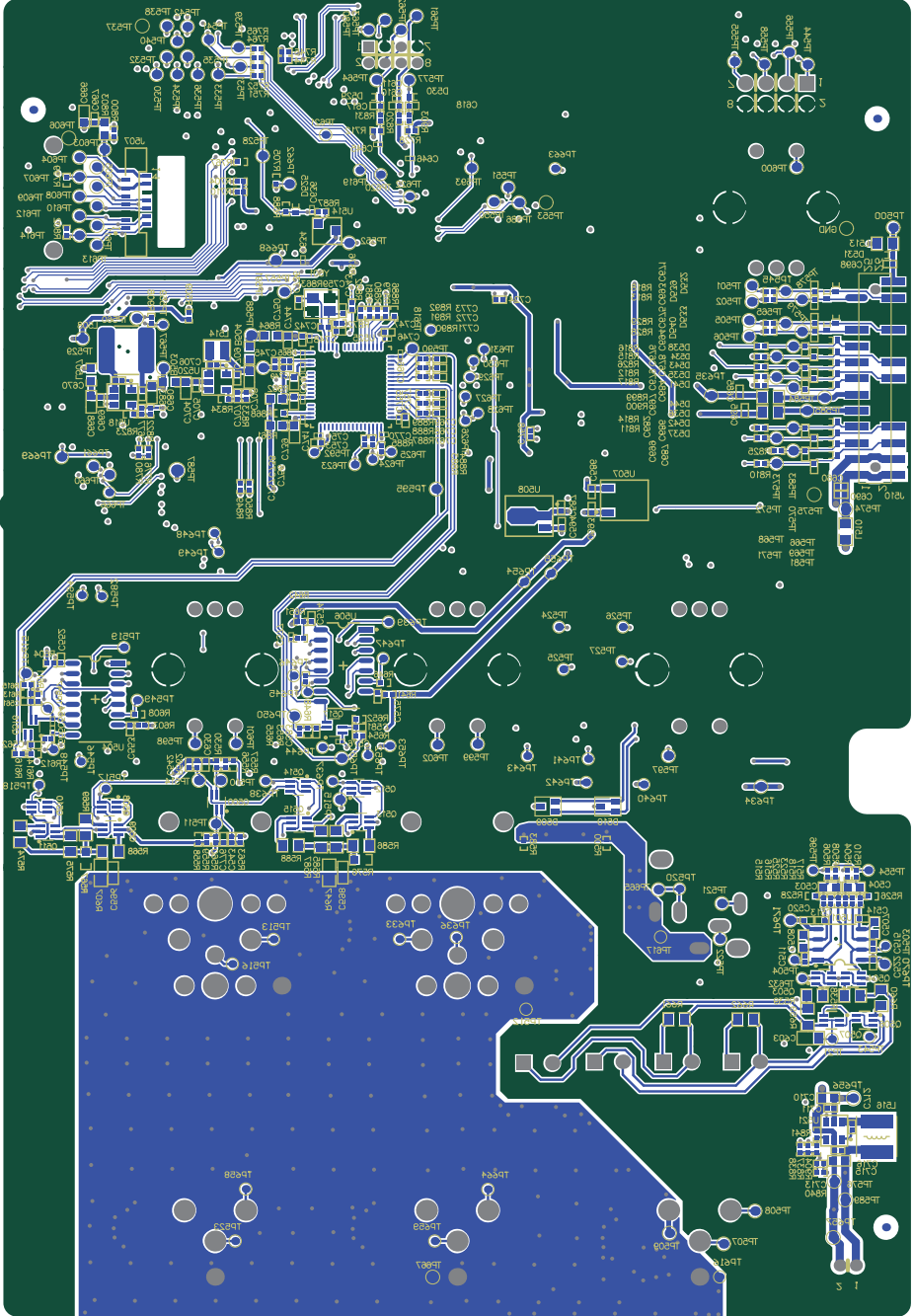
MCU CTRL	LOGIC OUT		FAN_12V-5V
	PWM1	PWM2	
NO.1	0	0	
NO.2	0	1	
NO.3	1	0	
NO.4	1	1	



Client	<b>PRX900</b>		Description of Changes/Notes	Rev.
	Product: PRX900 Series CONTROL BOARD			
File Name: P10_PRX_900_FAN_PVT_20220513.SchDoc		Size: A3		
Part Number: TBC		Drawn By:	Mod By:	
Revision: V2.0.0		Checked By:	Approved By:	
Status: PVT		Lead Engineer:	Sheet: 10 of 11	
Date:				



Top Layer Top Overlay



Bottom Overlay

Refer to the corresponding Service Bill of Materials (SBOM) to order parts stocked by Harman.

Bill of Material - Speaker Cabinet		
Ref ID	Description	Qty
1	ENCL,CHAS,REAR CABINET,PRX908	1
2	Nonwoven Polyethylene Terephthalate (PET) Fiber Felt (FR-W0025)	1.7
3	FSTNR,MSCR,TORX,FLH,4x16,BLK	12
4	PRX900 AMP MODULE, FULL RANGE for TJ	1
5	HDW,GASKET,EVA S,AMP900FRV	2
6	HDW,GASKET,EVA L,AMP900FR	2
7	HDW,FT,SIDE FOOT TOP,PRX908	2
8	HDW,FT,SIDE FOOT BOTTOM,PRX908	2
9	HDW,BRKT,SUSP,L-type,M10	1
10	FSTNR,MSCR,TORX,PANH,4x16,T20,BLK	22
11	HDW,PLUG,TOP HANDL,PRX908	2
12	SCR,PT,M4x12MM,PAN HEAD,TORX,BLK	14
13	ENCL,LID,TOP HANDLE COVER,PRX908	1
14	HDW,HDL,TOP HANDLE,PRX908	1
15	BOLT, M10 X 25MM, HEX (BLACK)	6
16	ENCL,CHAS,TOP COVER,PRX908	1
17	FSTNR,MSCR,TORX,PANH,5x20,T25,BLK	33
18	GASKET,SIDE SEAL,ENCLOSURE ,PRX908	4
19	GASKET, ENCLOSURE EON515	8.64
20	2408H-2 UNIT ASSEMBLY	1
21	WASHER, M14,REG, CLR ZINC	2
22	FLY BOLT, EONG3	2
23	NUT, M14 FINE, CLR ZINC RH	2
24	MECHASY ,GRIL,GRILL AND BADGE,PRX908	1
25	AUD,LS,ASY,908G WOOFER	1
26	GASKET,8IN WOOFER	1
27	FSTNR,BLT,PT,M5X28MM,PANHD TORXMAGNI577	14
28	ENCL,BAF,BAFFLE,PRX908	1
29	ENCL,PORT,LEFT,PRX908	1
30	GASKET, ENCLOSURE EON515 (NEW)	2.6
31	ENCL,PORT,RIGHT,PRX908	1
32	HDW,BRKT,DUAL POLE CUP	1
33	HDW,BRKT,SUSP,REAR,M10,PRX908	1
34	HDW,GASKET,EVA,REAR INNER RIGGING,PRX908	1
35	FSTNR,MSCR,TORX,PANH,3x10,BLK	4
36	HDW,LTCONT,LIGHT GUIDE,PRX900	1
37	HDW,SEAL,EVA LIGHT GUIDE, EON700	1
38	FSTNR,MSCR,TORX,BTNHD,M5x30,T25,BLK,NY	6
39	HDW,FT,BOTTOM FOOT FRONT,PRX908	1
40	HDW,FT,BOTTOM FOOT SIDE,PRX908	2
41	CUP, DUAL POLE, VRX/JRX	1
42	GASKET, DUAL POLE CUP, VRX/JRX	2
43	ENCL,CHAS,BOTTOM COVER,PRX908	1
44	HDW,BRKT,SUSP,BOTTOM,M10,PRX908	2
51	GASKET, CLOCKING	1



Refer to the corresponding Service Bill of Materials (SBOM) to order parts stocked by Harman.

Bill of Material - Amplifier Module		
Ref ID	Description	Qty
	PRX900 AMPLIFIER ASSY K	1
	THERMAL GEL_65-00-GEL30-0030 30ML\PC K	4
	JBL PRX900 DSP UI BOARD TEST PCBA(DIP) K	1
	PRX900 UI BOARD PCBA ASSY K	1
	PRX900 UI BOARD PCBA ASSY(SMT) K	1
U517	MCU BLUENRG-232 QFN32 ST K	1
C541,C564,C540,C563	CAP X7R .10UF 50V +-10% 0402 WALSIN L	4
R704,R710,R787,R794,R711	CHIP 4.7K OHM 100PPM +-1% 0402 WALS L	5
C542,C543	CAP NPO 220PF 50V +-5% 0402 WALSIN L	2
C717,C720,C732,C733,C752,C754,C762,C764	CAP X5R .10UF 10V +-10% 0402 SAMSUN L	8
R670,R759,R893	CHIP 2.7K OHM 100PPM +-1% 0402 WALS L	3
C724,C726,C758,C760	CAP X5R 2.2UF 6.3V +-20% 0402 WALSIN L	4
R596,R599,R634,R637	CHIP 5.6K OHM 100PPM +-1% 0402 WALS L	4
R502,R546,R550	CHIP 330K OHM 100PPM +-1% 0402 WALS L	3
T54201104750EC701,C702	CAP NPO 2200P 25V +-5% 0402 KEMET L	2
C544,C545,C546,C547,C565,C566,C568,C569	CAP NPO 47PF 50V +-5% 0402 WALSIN L	8
C548,C551,C570,C573	CAP NPO 10PF 50V +-5% 0402 WALSIN L	4
C745	CAP X7R 5600P 16V +-10% 0402 WALSIN L	1
C556,C578	CAP NPO 2700P 50V +-5% 0603 WALSIN L	2
R511,R549	CHIP 1.8K OHM 100PPM +-1% 0402 WALS L	2
C595,C596,C597,C598,C599,C600	CAP X7R 470PF 100V +-10% 0603 WALSIN L	6
C666,C668	CAP X5R 10UF 25V +-20% 0603 WALSIN L	2
U514	MCU MAX809STRG SOT23-3 ON SEMI K	1
C535,C536	CAP NPO 1000P 100V +-5% 0805 WALSIN L	2
LED500	LED S24 T.0X0. J0C000SVGACT JINGSU K	1
U522,U524	D/A PCM5102APWR TSSOP_20 TI K	2

R519,R578,R665,R666,R690, R691,R692,R693,R696,R697, R698,R699,R700,R701,R702, R703,R708,R709,R715,R716, R717,R718,R719,R721,R729, R730,R731,R732,R733,R734, R735,R736,R737,R738,R739, R740,R741,R742,R775,R777, R778,R782,R783,R784,R809, R901,R902	CHIP 100 OHM 100PPM +-1% 0402 WALS L	47
R898,R905,R906,R907	CHIP 120 OHM 100PPM +-1% 0402 WALS L	4
R790	CHIP 33 OHM 100PPM +-1% 0603 WALS L	1
C560,C582	CAP NPO 330PF 50V +-5% 0402 WALSIN L	2
C584,C585	E 100UF 25V +-20% 6.3*7. DV101M025 K	2
LED503,LED504,LED505	LED 518 1.6X1. J6C0606RVGC JINGJU K	3
R779,R894,R895,R896,R897, R605,R606,R643,R644	CHIP 1K OHM 25PPM +-0.1% 0402 YAGE L	9
D501,D509,D510	SWITC 75V 150MA BAV99W PAN J K	3
R553,R554,R663,R688	CHIP 47K OHM 100PPM +-1% 0402 YAGE L	4
C736,C743	CAP NPO 15PF 50V +-5% 0402 DARFON L	2
R788	CHIP 499 OHM 100PPM +-1% 0402 WALS L	1
SW505,SW507	TACT SWITCH 0.3A 12VDC TS-1187- 016E-L K	2
C735,C765	CAP X5R 10UF 6.3V +-20% 0603 MURATA L	2
Q501	PMOS -50V BSS84-7-F SOT23 DIODES L	1
C557	CAP 0.5PF 50V +-0.1PF 0402 NP MURATA L	1
B501,B502,B503,B504,L507,L 518,L519,R689,R803,R861,R8 62,R864,R911,R567,R576	CHIP 0 OHM 0 OHM 0 OHM 0603 WALS L	15
C591,C592	E 100UF 16V +-20% 6.3X5. CK1C101M- K	2
C512,C528	CAP NPO 2200P 50V +-5% 0603 WALSIN L	2
D500,D504,D506,D507	SWITC 70V 215MA BAV99LT1G ON SE K	4
L510,L513	CHIP BEAD 120 OHM 5A 25% 0805 100MHZ L	2
L500,L501,L502,L503	BEAD FBMA-11-160808-601A10T 600 OHM 10 L	4
U518,U520	REG SY8120IABC SOT23-6 SILERGY L	2
R789,R597,R598,R635,R636	CHIP 3K OHM 100PPM +-1% 0402 WALS L	5
R686,R808,R822,R824,R832, R833,R834	CHIP 100K OHM 50PPM +-1% 0402 YAGE L	7
Q505	NPN 40V HBN3904S6R SOT-36 CYSTEC K	1
R503,R521,R664,R669,R687, R758,R615,R616,R654,R655	CHIP 1K OHM 100PPM +-1% 0402 WALS L	10
Q500,Q508,Q509,Q510,Q511, Q512,Q513,Q514,Q515	SP 60 V MMDT4413 SC-88( DIODES K	9
L511	3.9NH 750MA 100M SMD MURATA LQG15HS L	1

R500,R583,R584,R645,R505, R507,R522,R527,R529,R533, R534,R536,R540,R541,R542, R544,R548,R682,R683,R684, R695,R746,R747,R748,R749, R750,R751,R752,R760,R761, R762,R764,R765,R795,R797, R798,R801,R810,R811,R812, R813,R814,R815,R816,R817, R818,R819,R820,R821,R825, R826,R827,R828,R829,R830, R831,R842,R868,R869,R870, R903,R909,R910,R990,R991, R913,R763,R603,R604,R608, R641,R642,R646,R656,R657	CHIP 0 OHM 200PPM +-5% 0402 WALS L	75
R501	CHIP 560K OHM 100PPM +-1% 0402 WALS L	1
R556,R557,R558,R559	CHIP 3.6K OHM 100PPM +-1% 0402 WALS L	4
R571,R572,R622,R623	CHIP 2.49K OHM 100PPM +-1% 0805 YAGE L	4
R562,R563	CHIP 22K OHM 100PPM +-1% 0402 WALS L	2
R520,R535	CHIP 390 OHM 100PPM +-1% 0402 WALS L	2
Y501	TEMP-CRYSTAL 12.288MH SMD SIWARD XTL571 K	1
C503,C504	CAP NPO 4700P 50V +-5% 0603 WALSIN L	2
R667,R668	CHIP 22K OHM 100PPM +-1% 0603 WALS L	2
U523	A/D PLV320ADC5140IRTW WQFN (24 TI J	1
R523,R525,R526,R528	CHIP 7.5K OHM 100PPM +-1% 0402 WALS L	4
C608,C609,C779	CAP X7R 470PF 50V +-5% 0402 WALSIN L	3
C516,C622,C623,C624,C625, C626,C628,C659,C663,C677, C707,C780	CAP NPO 100PF 50V +-5% 0402 WALSIN L	12
R509,R537,R581,R582,R705, R744,R745,R753,R754,R755, R756,R757,R766,R767,R768, R769,R770,R799,R800,R908, R530,R560,R589,R611,R612, R627,R648,R651,R531	CHIP 10K OHM 100PPM +-1% 0402 WALS L	29
U516	MCU AW9523BTQR QFN24 AWINIC L	1
C655,C667,C669,C670,C683, C706	CAP X7R .10UF 25V +-10% 0402 WALSIN L	6
C505,C530	CAP NPO 1000P 50V +-5% 0402 MURATA L	2
U519	REG TLV75533PDBVR SOT-23 TI W	1
Q525,Q516,Q517	NPN 40V MMDT3904 SC-88( PANJIT K	3
Q503,Q504,Q506,Q507	NMOS 60 V 2N7002DW-7-F SC-88( DIODES K	4
L517	1.3NH 1000MA 6000 0402 MURATA LQG15HN L	1

C651,C652,C759	CAP NPO 27PF 50V +-5% 0402 WALSIN L	3
U525	A/D D/A ADAU1452K 72-LEAD ADI (AN K	1
R876,R883,R884,R885,R887, R888,R889,R890,R891,R892	CHIP 47 OHM 100PPM +-1% 0402 WALS L	10
R672,R675,R676,R976	CHIP 3.9K OHM 100PPM +-1% 0402 WALS L	4
ZD501,ZD502,ZD503,ZD504	TVS 15V LXES15AAA1-1 SMD MURATA K	4
R543,R552	CHIP 100K OHM 200PPM +-5% 0402 WALS L	2
R568,R569,R574,R575,R585, R586,R587,R588	CHIP 47 OHM 100PPM +-1% 0805 WALS L	8
C661,C662	CAP NPO 56PF 50V +-5% 0402 MURATA L	2
C518,C723,C725,C747,C750, C753,C757	CAP X7R .01UF 50V +-10% 0402 SAMSUN L	7
C610,C644	CAP X5R 4.7UF 6.3V +-20% 0402 MURATA L	2
C519,C521,C534,C538,C552, C553,C574,C575,C586,C587, C588,C589,C593,C594	CAP .10UF 25V +-10% 0402X5R SAMSUNG L	14
C558,C559,C579,C580	E 100UF 6.3V +-20% 5X5.4M CK0J101M-K	4
R577,R580,R625,R626	CHIP 49.9K OHM 100PPM +-0.1% 0402 WALS L	4
C648,C664,C680,C688,C700, C704,C708,C739	CAP 10UF 10V +-20% 0603X5R SAMSUNG L	8
R712,R728,R613,R614,R652, R653	CHIP 100K OHM 100PPM +-1% 0402 WALS L	6
R504,R506,R508,R510,R594, R601,R632,R639	CHIP 6.2K OHM 100PPM +-1% 0402 WALS L	8
C774	CAP NPO 18PF 50V +-5% 0402 MURATA L	1
C612,C613	E 22UF 16V +-20% 4X5.4M CK1C220M- K	2
C650,C653	CAP 10UF 6.3V + -20% 0603X5R WALSIN L	2
R591,R629	CHIP 330 OHM 100PPM +-1% 0402 WALS L	2
C611,C621,C634,C635,C636, C637,C639,C640,C641,C642, C643,C645,C646,C647,C649, C656,C665,C714,C721,C730, C740,C741,C742,C746,C748, C751,C755,C756,C766,C770	CAP X5R .10UF 10V +-10% 0201 SAMSUN L	30
C638,C722,C727,C728,C729, C737,C738,C744	CAP X5R 10UF 6.3V +-20% 0402 SAMSUN L	8
C689,C703,C705,C500,C524, C526	CAP X7R .10UF 16V +-10% 0402 MURATA L	6
D502,D511,D512,D550,D551	SWITC 100V 150MA 1N4148WS TSC L	5
C767,C768,C769,C771,C772, C773,C549,C550,C571,C572	CAP NPO 22PF 50V +-5% 0402 WALSIN L	10
C511,C513,C514,C515	CAP NPO 680PF 50V +-5% 0402 WALSIN L	4
U501,U502,U503,U512,U513, U500,U505	OP OPA1678IDR SOIC-8PI TI K	7

R555,R916,R561,R564,R565, R566,R617,R618,R619,R620	CHIP 160 OHM 100PPM +-1% 0805 WALS L	10
R851,R590,R628	CHIP 3.3K OHM 100PPM +-1% 0402 WALS L	3
C718	CAP X5R 1.0UF 6.3V +-10% 0402 NORMAL L	1
C567,C605,C781,C782	CAP NPO 100PF 50V +-5% 0402 MURATA L	4
L514	3.3UH 1.35A 1M H 2.5X CENKER CKCS252 K	1
C627	CAP NPO 22PF 50V +-5% 0402 MURATA L	1
C501,C502,C523,C719	CAP X5R 1.0UF 25V +-10% 0402 SAMSUN L	4
R773,R774	CHIP 22 OHM 100PPM +-1% 0603 WALS L	2
R545,R863,R593,R602,R631, R640	CHIP 1M OHM 100PPM +-1% 0402 WALS L	6
R512,R524,R547,R551	CHIP 2K OHM 100PPM +-1% 0402 WALS L	4
R776,R780,R886	CHIP 2.2K OHM 100PPM +-1% 0402 WALS L	3
R823	CHIP 15K OHM 100PPM +-1% 0402 WALS L	1
R694,R706,R707,R713,R714, R720,R722,R723,R724,R725, R726,R727,R844,R845,R847, R848,R849,R850,R853,R855, R856,R857,R858,R871,R872, R873,R874,R879,R880,R881, R882	CHIP 10 OHM 100PPM +-1% 0402 WALS L	31
R899,R900,R658	CHIP 0 OHM 0 OHM 0 OHM 0805 WALSI L	3
L515,L520,	2NH ±0 900MA 100M 0402 MURATA LQG15HN L	2
R865	CHIP 4.32K OHM 100PPM +-1% 0402 WALS L	1
R515,R516,R517,R518,R859, R860,R877,R878	CHIP 470 OHM 100PPM +-1% 0402 WALS L	8
Q502	NMOS 60V L2N7002LT1G SOT23 LRC L	1
R771	CHIP 51K OHM 100PPM +-1% 0402 WALS L	1
LED502	LED R 631 0603 L-C191JRCT PARA LIG K	1
J502	CONNECTOR 16PIN P:1.27MM 90 JRCONN K	1
R592,R630	CHIP 43.2 OHM 100PPM +-1% 0402 WALS L	2
R595,R600,R633,R638	CHIP 13K OHM 100PPM +-1% 0402 WALS L	4
J503	SMD IPEX CONNECTOR 818000368 K	1
R609,R610,R649,R650	CHIP 120 OHM 100PPM +-0.1% 0402 WALS L	4

D513,D514,D522,D523,D524, D525,D526,D527,D528,D529, D530,D531,D532,D533,D534, D535,D536,D537,D538,D539, D540,D541,D542,D543,D544, D545,D503,D505,D508,D516	TVS 5.78~ RSB6.8SM SMD ROHM L	30
R912	CHIP 27K OHM 100PPM +-1% 0402 WALS L	1
C603	CAP X7R .33UF 50V +-10% 0805 WALSIN L	1
U515	MCU STM32F401RET6TR LQFP64 ST K	1
U504,U506	LOGIC CD4052BM96 SOIC TI W	2
C731,C734,C761,C763	CAP X7R 2200P 16V +-10% 0402 WALSIN L	4
U507	REG CJ78L09 SOT-89-3 JCET (J K	1
C749	CAP NPO 150PF 50V +-5% 0402 WALSIN L	1
U508	REG CJ79L09 SOT-89-3 JCET (J K	1
C657,C775	CAP 2.1PF 50V +-0.1PF 0402NPO MURATA L	2
L508	3.3UH 5.3A 100K 6045 SUNLEI SNR6045 L	1
PCB	UI BOARD 1.6 MM FR4 JBL PR 4L 94V- K	1
Q518	PNP 40V LMBT3906LT1G SOT23 LRC L	1
Y503	CRYSTAL 32MHZ 3225 HOSONI E3SB32 L	1
C506,C531	CAP NPO 10PF 50V +-5% 0402 DARFON L	2
C673,C674,C691,C696	E 47UF 6.3V +-20% 4*5MM CK0J470M- K	4
R532	CHIP 33K OHM 100PPM +-1% 0402 WALS L	1
C681,C692	E 220UF 25V +-20% D6.3*H VZT221M1E L	2
C629,C658	CAP NPO 1.3PF 50V +- .25PF 0402 MURATA L	2
R685	CHIP 150K OHM 50PPM +-1% 0402 YAGE L	1
C509,C517,C520,C522,C537, C539,C631,C633,C672,C685, C695,C709,C777,C632	CAP X7R .10UF 50V +-10% 0402 SAMSUN L	14
C510,C525,C529	CAP X7R 1.0UF 16V +-10% 0603 WALSIN L	3
C671,C675,C693,C694,C785	CAP NPO 470PF 50V +-5% 0402 WALSIN L	5
J510	CONNECTOR 26PIN P:2.0MM 180 CGE K	1
R772	CHIP 5.1 OHM 100PPM +-1% 0603 WALS L	1
R513,R796	CHIP 47K OHM 100PPM +-1% 0402 WALS L	2
R19	CHIP 430K OHM 100PPM +-1% 0402 WALS L	1
J507	SMT CONNECTOR 14PIN P:0.5MM 0.5A- WTX-1 K	1
R538,R539,R607,R647,R661, R662	CHIP 100 OHM 100PPM +-1% 0805 WALS L	6
SW501,SW502,SW504	RE1201XE1-H01-0681 7PIN DC5V K	3
SW503	RE1201XE1-H01-0676 7PIN DC5V K	1

P501,P500	XLR CONNECTORS 6P NCJ6FAV-0 K	2
J505	CONNECTOR 2X4PIN P:2.0MM 90 PHD-2X4AWD K	1
J501,J500,J504	XLR CONNECTORS 3P NC3MAAV W	3
C532,C533,C601,C602	E 100UF 63V +-20% 8*12MM KM.101M1J K	4
P503	EARPHONE JACK CK3.5-33E5-LF L	1
	JBL EON700 USB BOARD PCBA(DIP) K	1
	JBL EON700 USB BOARD PCBA(SMD) K	1
J2	SMD MIRCO USB JACK MUB BF SMT-099-GB K	1
	USB BOARD 1.6 MM FR4 JBL EO 2L 94V-K	1
J4	2X4P P:2.54MM 90° DIP K	1
J11	BOOMBOX BRACKET SPTÉ NATUR CLEAN K	1
	JBL PRX900 SMPS BOARD TSET PCBA(DIP) K	1
	PRX900 SMPS BOARD PCBA ASSY K	1
C259	E 100UF 80V +-20% 8X20MM RZW101M1K K	1
L2,L7	CKCMV2820-10MH\MIN-A5324 L	2
C273	PLS-DIP 0.33UF 250V +-10% 5 C242E334 K	1
F1	FUSE CERAMIC 250V 12A 5.5X2 21501 K	1
CX1,CX3,CX4	PLS-DIP 0.47UF 305V +-20% W B32922C3 K	3
CY1,CY2,CY5	PLS-DIP 0.001U 400V +-20% D CD45-E2G K	3
J5	CONNECTOR 2PIN 3.96MM DIP 180 K	1
L4,L5	TRANSF 390V 370V 8P CLICK PQ32-1271 K	2
J6	CONNECTOR 4P RED PITCH:3.96MM K	1
C11,C20,C21,C307,C308,C9	E 1000U 80V +-20% 16X41M KF102M080 K	6
K1	RELAY 12V 250V 10A DIP HF3FD\012 W	1
L1,L3	15UH 31A 100K DIP CODACA CPD2320 K	2
C50,C51	E 330UF 450V +-20% 30X40M HU331M450 K	2
L8	22UH 20.5A 100K DIP CODACA CPD2315 K	1
C268	E 47UF 25V +-20% 5*11(K KM470M025 K	1
C49,C54	PLS-DIP 1UF 630V +-10% W B32672P6 K	2
	SILICON GREASE SLD-746 K	3
J1	TEMP-CONNECTOR 4 PIN 3.96MM WHITE K	1
T2	TRANSF N/A N/A 10P CLICK BCK1901-1 K	1
T2	TRANSF N/A N/A 10P CLICK BCK1901-1 K	1
C24,C25	PLS-DIP 0.068U 1KV +-5% W B32642B K	2
	PRX900 SMPS BOARD PCBA ASSY(SMT) K	1
C66,C67	CAP NPO 47PF 50V +-5% 0402 WALSIN L	2
C19	CAP X7R .10UF 100V +-10% 1206 WALSIN L	1
R144,R39	CHIP 47 OHM 100PPM +-1% 0603 WALS L	2



Q21	PMOS -30V DMP3056L-7 SOT23 DIODES L	1
C138,C141,C142,C150,C154, C156,C159,C160,C162	CAP NPO 470PF 50V +-5% 0603 WALSIN L	9
U17,U18,U6	OP OPA1678IDR SOIC-8PI TI K	3
C89	CAP X7R 4700P 1KV +-10% 1206 WALSIN L	1
C278,C287,C38	CAP X7R .10UF 25V +-10% 0402 WALSIN L	3
C31,C63	CAP X7R .33UF 25V +-10% 0603 WALSIN L	2
Q18	NPN 40V MMBT2222A-7- SOT23 DIODES K	1
R194,R54,R60,R66,R95	CHIP 22K OHM 100PPM +-1% 0603 WALS L	5
R11,R119,R120,R124,R177,R 192,R200,R202,R247,R27,R2 76,R343,R347,R362,R375,R4 3,R45,R47,R50,R55,R57,R58, R80,R376,R51,R361	CHIP 10K OHM 100PPM +-1% 0603 WALS L	26
R137,R162,R163,R322	CHIP 22 OHM 100PPM +-1% 0805 WALS L	4
Q23	NPN 50V 2DC4672-13 SOT89 DIODES K	1
PG1,PG2	POGO PIN=1 PG-F1448-0105T K	2
R173	CHIP 470 OHM 100PPM +-1% 1206 WALS L	1
C101,C110,C114,C135,C168, C170,C171,C195,C197,C198, C299,C300,C61	CAP NPO 1000P 50V +-5% 0603 WALSIN L	13
C111,C80,C94,C96,C137,C14 3	E 47UF 25V +-20% 6.3*7. JV470M025 K	6
R29	CHIP 56 OHM 100PPM +-1% 0603 WALS L	1
C130,C174,C274,C35	CAP X7R .01UF 100V +-20% 0805 WALSIN L	4
C261	CAP X7R 2.2UF 100V +-10% 1206 SAMSUN L	1
ZD2	ZD 12V 200MW ±2% SMD TSC ( K	1
D41	TVS 58V SMAJ58CA SMD LITELFU K	1
D35,D59	600V 10A SFS1008G TSC K	2
R1	CHIP 10 OHM 200PPM +-5% 0805 WALS L	1
R211,R216,R220,R224	CHIP 560 OHM 100PPM +-1% 0603 WALS L	4
R41	CHIP 68K OHM 100PPM +-1% 0603 WALS L	1
C118,C119,C12,C124,C125,C 176,C177,C179,C18,C180,C1 81,C182,C183,C184,C186,C1 87,C188,C189,C207,C208,C2 09,C213,C214,C215	CAP 1.0UF 100V +-10% 0805X7S TDK L	24
R48,R63	CHIP 2K OHM 100PPM +-1% 0603 WALS L	2
R210,R215,R219,R223,R228, R233	CHIP 3.9K OHM 100PPM +-5% 0805 WALS L	6
R14,R15	CHIP 2.4K OHM 100PPM +-1% 0402 WALS L	2

R146,R148,R165,R186,R263, R301	CHIP 47K OHM 100PPM +-1% 0603 WALS L	6
D17,D27	DIODE 1000 1.0A US1M-13-F DIODE K	2
R145	CHIP 1.3 OHM 100PPM +-1% 1206 WALS L	1
R241,R271,R326	CHIP 8.2K OHM 100PPM +-1% 1206 WALS L	3
R167,R325,R37,R49	CHIP 1 OHM 100PPM +-1% 0603 WALS L	4
C13	CAP NPO 100PF 50V +-5% 0402 WALSIN L	1
U13,U3	REG TL431AQDBZ SOT23-3P TI K	2
U10	REG HF500GS-15-Z SOIC8-7B MPS (MO K	1
C314	CAP X5R 10UF 25V +-20% 0603 SAMSUN L	1
R242,R272,R358	CHIP 300 OHM 100PPM +-1% 0603 WALS L	3
RT1,RT4,RT9	NTC 10K OHM 1% 0402 NCP15XH103F03RC L	3
R131,R170	CHIP 220K OHM 100PPM +-1% 0603 WALS L	2
D3,D4,D6,D9	SWITC 400V 10A TPMR10G TSC K	4
R104,R19,R3,R71	CHIP 47 OHM 100PPM +-1% 0805 WALS L	4
	SMPS BOARD 2MM FR4 JBL PR 4 94V- K	1
C108,C173,C200,C306	CAP X5R 10UF 25V +-20% 0603 WALSIN L	4
D10,D11	ZD 2.4V 350MW ±0.05V SOD123 MD K	2
R196,R203,R204,R205,R327, R354	CHIP 120K OHM 100PPM +-5% 0805 WALS L	6
C46,C47,C48,C52	CAP X7R .01UF 630V +-10% 0805 WALSIN L	4
R364,R366,R249,R250,R279, R280	CHIP 68 OHM 100PPM +-1% 0603 WALS L	6
C136,C144,C145,C151	CAP NPO 2200P 50V +-5% 0603 WALSIN L	4
U12	REG CJ79L05 SOT-89-3 JCET (J K	1
Q1,Q10,Q15,Q3	NMOS 650V LSE65R180GT TO263( LONTEN K	4
R239,R243,R253,R269,R273, R283,R340,R359,R369	CHIP 4.7 OHM 100PPM +-1% 0603 WALS L	9
U24,U26	SP ACS711KEXLT-31AB-T QFN ALLEGRO K	2
Q4	SP 60 V MMDT4413 SC-88( DIODES K	1
C281,C282	CAP NPO 100PF 2KV +-5% 1206 WALSIN L	2
R156,R157	CHIP 1.5K OHM 100PPM +-1% 0603 WALS L	2
R140,R141,R142	CHIP 240K OHM 100PPM +-1% 1206 WALS L	3
C116,C120,C121,C122,C126, C127,C178,C185,C206,C210, C211,C212,C216,C217,C262	CAP X7R .10UF 100V +-10% 0603 MURATA L	15
R113,R152,R159,R171,R179, R199,R201,R212,R214,R230, R232,R64,R84	CHIP 100K OHM 100PPM +-1% 0603 WALS L	13

C255	CAP X5R 2.2UF 16V +-10% 0603 SAMSUN L	1
D20	SWITC 30V 0.2A BAT54-7-F DIODE K	1
	SCREW M3.0XL10 0.5PCED COATING K	1
U9	REG AS78L05RTR-G1 SOT-89 DIODES K	1
	NUT M3XOD6.3XL2.4 COLOR K	1
C284,C81	CAP Y5V .10UF 50V -20+80% 0603 WALSIN L	2
R24,R5	CHIP 1M OHM 100PPM +-1% 0402 WALS L	2
R229,R234	CHIP 2.4K OHM 100PPM +-1% 0603 WALS L	2
	HEATSINK L ALUMINUM NATUR COLOR K	1
R118,R79	CHIP 680 OHM 100PPM +-1% 0402 WALS L	2
R7,R12,R21	CHIP 0 OHM 0 OHM 0 OHM 1206 WALS L	3
R26	CHIP 75 OHM 100PPM +-1% 0603 WALS L	1
R395,R406	CHIP 0 OHM 0 OHM 0 OHM 0805 WALSI L	2
R371	CHIP 1.2K OHM 100PPM +-1% 0603 WALS L	1
R122	CHIP 1 OHM 100PPM +-1% 0805 WALS L	1
R193,R195,R197	CHIP 470K OHM 100PPM +-1% 0603 WALS L	3
R2,R257,R285,R287,R372,R5 3,R244,R274	CHIP 3.3K OHM 100PPM +-1% 0603 WALS L	8
R363,R248,R278	CHIP 12K OHM 100PPM +-1% 0603 WALS L	3
C22,C23	CAP X7R 220PF 500V +-10% 0805 WALSIN L	2
R414	CHIP 2.2 OHM 100PPM +-1% 1206 WALS L	1
R330,R331,R92,R93,R94,R99	CHIP 15 OHM 100PPM +-1% 0603 WALS L	6
R344,R345	CHIP 100K OHM 200PPM +-5% 0603 WALS L	2
R256,R286	CHIP 2.7K OHM 100PPM +-1% 0603 WALS L	2
L10	22UH 4A 100K SMD CODACA CSAB074 K	1
R106,R125,R25,R349,R365,R 86	CHIP 0 OHM 0 OHM 0 OHM 0603 WALS L	6
R213,R221,R231	CHIP 49.9 OHM 100PPM +-1% 0603 WALS L	3
R133,R387	CHIP 33K OHM 100PPM +-1% 0402 WALS L	2
C14	CAP NPO 15PF 500V +-5% 1206 WALSIN L	1
R103,R107,R149,R169,R332, R333,R334,R335,R88,R89,R9 0,R91	CHIP 47 OHM 100PPM +-1% 1206 WALS L	12
C27,C4	CAP NPO 100PF 250V +-5% 0805 WALSIN L	2

D15,D16,D23,D30,D33,D34,D36,D39,D40,D49,D50,D57,D58,D63,D64,D65,D66,D67,D7	SWITC 100V 150MA 1N4148WS TSC L	19
C103	CAP X7R .047U 50V +-10% 0402 WALSIN L	1
U11,U14,U2,U34	TEMP-PHOTO 5V EL817S1(C)(T DIP EVERLI K	4
C229,C252,C257,C258,C83,C90,C100,C133	CAP X7R .10UF 50V +-10% 0402 SAMSUN L	8
Q34	PNP 40V LM3906LT1G SOT23 LRC L	1
C113,C163,C165,C166,C167,C169,C190,C192,C193,C194,C199,C201,C298,C302,C303, C64,C65	CAP X7R 4.7UF 25V +-10% 0805 SAMSUN L	17
R4,R415	CHIP 4.7 OHM 100PPM +-1% 0805 WALS L	2
J2	CONNECTOR 26PIN P:2.0MM 180 CGE K	1
Q22,Q28,Q30,Q32,Q6,Q7,Q8,Q9	NPN 40V MMBT3904WT1G SC70 ( ON K	8
R378,R65	CHIP 75K OHM 100PPM +-1% 0603 WALS L	2
C3	CAP X7R .47UF 16V +-10% 0603 MURATA L	1
C280,C56,C75	CAP NPO 220PF 100V +-5% 0805 WALSIN L	3
C253,C84	CAP X5R 4.7UF 16V +-20% 0402 MURATA L	2
C157,C243,C5,C68,C88,C91,C93	CAP X7R 1.0UF 50V +-10% 0603 WALSIN L	7
Q25,Q33	NMOS VDS=3 MTB030N03N3 SOT23 CYSTEC K	2
R123,R258,R288,R374	CHIP 220 OHM 100PPM +-1% 0603 WALS L	4
R127,R52,R56,R85	CHIP 100 OHM 100PPM +-1% 0603 WALS L	4
L6	0.68UH 14A 100K 7.2x SGTE GPSR-AP L	1
C15	CAP X5R .22UF 25V +-10% 0402 WALSIN L	1
U5	DC DC CVT SY8201ABC SOT23-6 SILERGY K	1
Q11,Q12,Q13,Q17,Q2,Q26,Q27,Q29	PNP -40V MMBT4403LT1G SOT23 ON K	8
U1	SP HR1001AGS SOIC-16 MPS K	1
C286	CAP 10UF 10V +-20% 0603X5R SAMSUNG L	1
R174,R198	CHIP 1M OHM 100PPM +-1% 0603 WALS L	2
C30,C33	CAP X7R .033U 100V +-10% 0805 WALSIN L	2
R139,R70	CHIP 100K OHM 50PPM +-1% 0402 YAGE L	2
C242,C245,C79	CAP X7R 220PF 100V +-10% 0603 WALSIN L	3
U19,U21,U32	OP IRS2092STRPBF SOIC16N I.R. W	3
R151,R153,R154	CHIP 3.3M OHM 100PPM +-1% 1206 WALS L	3
R13	CHIP 16K OHM 100PPM +-1% 0402 WALS L	1
R350	CHIP 3.3K OHM 100PPM +-1% 0805 WALS L	1

R158,R175	CHIP 470 OHM 100PPM +-1% 0603 WALS L	2
C55,C59,C60	CAP X7R .10UF 500V +-10% 1210 KEMET L	3
C226,C99	CAP X7R 3300P 50V +-10% 0402 WALSIN L	2
C104,C105,C2,C69	CAP X7R 1000P 50V +-10% 0402 YAGEO L	4
R110,R111,R112,R96,R97,R98	CHIP 1.2M OHM 100PPM +-1% 1206 WALS L	6
R181,R190,R236,R267,R324, R392,R46	CHIP 33K OHM 100PPM +-1% 0603 WALS L	7
Q24	NPN 40V MMBT3904LT1G SOT-23 ON SEM L	1
C283	CAP X7R .10UF 50V +-10% 0402 YAGEO L	1
R105,R20,R72,R8	CHIP 33 OHM 100PPM +-1% 0805 WALS L	4
R17,R18,R22,R23	CHIP 39K OHM 100PPM +-1% 0805 WALS L	4
R416,R417,R67,R68,R69,R74, R75,R76	CHIP 820K OHM 100PPM +-1% 1206 WALS L	8
U33,U4	TEMP-OP LM358DR SO8 TI L	2
R187,R188,R264,R265,R314, R318	CHIP 20 OHM 100PPM +-1% 1206 WALS L	6
R172	CHIP 9.1K OHM 100PPM +-1% 0603 WALS L	1
R336,R408	CHIP 10 OHM 100PPM +-1% 0402 WALS L	2
L9	10UH 1.6A 100K SMD HOTLAN MCW-042 K	1
R246,R252,R275,R282,R368	CHIP 8.2K OHM 100PPM +-1% 0603 WALS L	5
R155	CHIP 100 OHM 100PPM +-1% 0805 WALS L	1
D32	SWITC 70V 215MA BAV99LT1G ON SE K	1
R73	CHIP 22.1K OHM 100PPM +-1% 0402 WALS L	1
C231	CAP X7R .01UF 50V +-10% 0402 SAMSUN L	1
C8	CAP NPO 330PF 50V +-5% 0402 WALSIN L	1
R150,R346	CHIP 2.2K OHM 100PPM +-1% 0603 WALS L	2
C285	CAP NPO 22PF 50V +-5% 0402 WALSIN L	1
R10,R164,R35,R357,R36,R37 7,R379,R391,R40,R59,R61,R62, R360	CHIP 1K OHM 100PPM +-1% 0603 WALS L	13
C70	CAP NPO 22PF 50V +-5% 0402 MURATA L	1
C26	CAP NPO 220PF 50V +-5% 0603 MURATA L	1
C71	CAP X7R .01UF 50V +-10% 0402 WALSIN L	1
U22	SP UCC28064ADR SOIC16 TI W	1
R384,R409,R410,R411	CHIP 47 OHM 100PPM +-1% 0402 WALS L	4

C107,C115,C139,C147,C152, C260,C264,C309,C310,C32,C 34,C36,C37,C39,C40,C41,C42 ,C43,C44,C45,C85,C95,C148, C153	CAP X7R .10UF 50V +-10% 0603 WALSIN L	24
D37	ZD 12V 400MW 2% SOD-32 PAN J K	1
R337,R339,R390,R394,R397, R398,R399,R400,R401,R402, R403,R404,R407,R338,R28,R 83	CHIP 0 OHM 200PPM +-5% 0402 WALS L	16
Q5	NMOS 600V BSS127S-7 SOT23 DIODES K	1
R109,R136,R138,R16	CHIP 10K OHM 100PPM +-1% 0402 WALS L	4
C131,C175,C275,C76	CAP NPO 1000P 100V +-5% 0805 WALSIN L	4
C164,C191,C297	CAP NPO 22PF 100V +-5% 0805 WALSIN L	3
R209,R217,R218,R225,R227, R235	CHIP 6.8K OHM 100PPM +-1% 0603 WALS L	6
C112	CAP X7R .47UF 50V +-10% 0805 WALSIN L	1
C134,C263	CAP X7R .01UF 50V +-5% 0603 WALSIN L	2
R44	CHIP 4.7K OHM 100PPM +-1% 0603 WALS L	1
R32,R33,R34	CHIP 2.2M OHM 100PPM +-1% 1206 WALS L	3
R87	CHIP 162K OHM 100PPM +-1% 0402 WALS L	1
R222,R226	CHIP 10 OHM 200PPM +-1% 0603 WALS L	2
R178,R180	CHIP 330K OHM 100PPM +-1% 0603 WALS L	2
R116,R388	CHIP 47K OHM 100PPM +-1% 0402 WALS L	2
C78	CAP NPO 680PF 50V +-5% 0402 WALSIN L	1
D2	TVS 5.78~ RSB6.8SM SMD ROHM L	1
R420	CHIP 510K OHM 100PPM +-1% 0603 WALS L	1
R189,R266,R303	CHIP 34K OHM 100PPM +-1% 0603 WALS L	3
R114,R115,R30,R31,R6,R9	CHIP 220 OHM 100PPM +-1% 1206 WALS L	6
D18,D19,D22,D45,D46,D60	DIODE 200V 1.0A ES1D-13-F DIODE K	6
R132	CHIP 56K OHM 100PPM +-1% 0402 WALS L	1
R100	CHIP 300K OHM 100PPM +-1% 0603 WALS L	1
D1	DIODE 1000 0.8A RS1ML TSC K	1
R385	CHIP 1.2M OHM 100PPM +-1% 0402 WALS L	1
R245,R277,R355	CHIP 49.9K OHM 100PPM +-1% 1206 WALS L	3
D12,D13,D14	ZD 24V 500MW +0.6-1.2 SOD123 BLUE K	3

D8,ZD4	ZD 15V 200MW +0.6-1.2 SOD-32 BLUE K	2
Q1,Q10,Q15,Q3	NMOS 650V LSE65R125HT TO263(LONTEN K	4
U15,U16,U27,U31,U7,U8	NMOS 150V HGN195N15S SMD HUNTEC K	6
C230,C232,C233,C234,C241,C248,C249,C250,C251,C256,C235,C236,C237,C238	CAP X5R .33UF 10V +-10% 0402 WALSIN L	14
C109,C17,C172,C196,C265,C301,C305,C6,C7,C74,C86,C97	CAP X7R 4.7UF 6.3V +-10% 0603 SAMSUN L	12
C155,C161	E 10UF 16V +-20% 4*5.5MM MV100M016 K	2
R101,R102,R182,R183,R259,R260	CHIP 4.7K OHM 100PPM +-1% 1206 WALS L	6
C28	CAP NPO 100PF 50V +-5% 0603 WALSIN L	1
C140,C149,C158	CAP NPO 1500P 50V +-5% 0603 WALSIN L	3
R289,R42	CHIP 47K OHM 100PPM +-1% 0805 WALS L	2
R255	CHIP 680 OHM 100PPM +-1% 0603 WALS L	1
R168	CHIP 150K OHM 100PPM +-1% 0402 WALS L	1
D21,D25,D26,D28,D29,D38,D47,D48,D5,D61,D62	200V 1A ES1DL JSCJ K	11
C304,C73,C98	CAP X7R 4.7UF 25V +-10% 0603 WALSIN L	3
C29	CAP NPO 3300P 50V +-5% 0603 WALSIN L	1
C16	CAP X7R .01UF 50V +-10% 0402 MURATA L	1
C53,C77	CAP X7R .01UF 16V +-10% 0402 WALSIN L	2
R237	CHIP 12K OHM 50PPM +-1% 0402 WALS L	1
R129	CHIP 133K OHM 100PPM +-1% 0402 YAGE L	1
C117,C128,C272	CAP X7R .01UF 100V +-10% 0805 WALSIN L	3
R81,R82	0.01 OHM 50PPM +-1% 1206 YAGE K	2
RT3	NTC THERMISTOR 10 OHM MF72-10D20 6A K	1
T1	TRANSF ±60V 390V 20 CLICK BCK4901-5 K	1
BD1	800V 25A KBJ2508 MD ( K	1
C244,C87	E 470UF 25V +-20% 8MM*16 GF471M025 K	2
C92	E 220UF 25V +-20% 8*12MM KM.221M1E K	1
CY6	PLS-DIP 470PF 440V +-10% D CD45-B2G K	1
L11	20±30% 5.0A 1KHZ 17MM GANTON GTCN138 K	1
C123,C129	TEMP-PLS-DIP 1UF 100V +-5% 7 C242A105 K	2
RT2	MOV 300V B72214S0301K DIP EPCOS K	1
	PRX900 CONDUCTIVE FOAM K	4
	CABLE 3P VWA396010-0150 150MM K	1

	CABLE 4P*2 VH-4Y-46 3.96MM 150MM\400MM K	1
	CABLE 8P PHDR-8Y-PHS-01 120MM+30MM*3 P K	1
	ANT BT 356MM 50 OHM 2.4 INPAQ K	1
	AC SOCKET TU-301-AP-AEB-JJ1(D) 250V W	1
	SPACER SUPPORT NYLON 66 94V0 NATUR K	1
	PRX900 THERMAL PAD-2 K	1
	PRX900 THERMAL PAD-4 TOP K	1
	710 KNOB VOLUME ABS PA-75 94HB BLACK K	3
	PRX900 THERMAL PAD- 6 K	1
	LCD EVA K	1
	HEATSINK 7 ALUMINUM NATUR DEGRE K	1
	900 IO PANEL AL1050 BLACK POWDER K	1
	PRX900 HEXAGON BOLT A K	1
	HEATSINK 1 ALUMINUM NATUR DEGRE K	1
	PRX900 EVA LENS CHANNEL K	1
	PRX900 EVA LENS 1 K	1
	HEATSINK 3 ALUMINUM NATUR DEGRE K	1
	SPONGE5 :YU356(HF-1) ADHESIVE DS11 K	1
	SCREW M3.0XL10 0.5P ZINC+CED COAT K	2
	HEATSINK 5 ALUMINUM NATUR DEGRE K	1
	PRX900 PC SHEET K	1
	LCD HOLDER PC 94HB TRANS K	1
	PRX900 THERMAL PAD-1 K	1
	PRX900 THERMAL PAD-4 BOTTOM K	3
	AMP PLUG NYLON 66 94V0 NATUR K	1
	BUTTON POWER ABS+PC 94HB PANTO K	1
	PRX900 THERMAL PAD- 5 TOP K	1
	CABLE SADDLE AB-20C NYLON 66 K	1
	EVA 2 FOR POWER BUTTON E-4308 K	1
	GREEN GLUE HAOZHENG:HD-200G L	0
	PRX900 GASKET BUTTON-2 K	1
	SCREW M4XL16.5 0.7P_NYLOK_CED COA K	3
	PRX900 GASKET LED-2 K	1
	PRX900 EVA SEAL LED PCB K	4
	GLUE SOL2209 BLACK L	0
	CABLE 1P VWG100000-0070 UL1015#18 85MM K	1
	700 KNOB MASTER ABS PA-75 94HB BLACK K	1
	HEATSINK 6 ALUMINUM NATUR DEGRE K	1
	PSU BRACKET ALUMINUM NATUR DEGRE K	1



	900 SHIELDING CO AL1050 NATUR DEGREA K	1
	PRX900 THERMAL PAD-3 K	1
	HEATSINK 2 ALUMINUM NATUR DEGREA K	1
	PRX900 THERMAL PAD- 5 BOTTOM K	1
	HEATSINK 4 ALUMINUM NATUR DEGREA K	1
	NUT M4XOD8.0XH4.1 0.7P STEEL NI ELECTR K	5
	PRX900 THERMAL PAD- 7 K	1
	LCD COVER PC 94HB TRANS K	1
	PRX900 HEXAGON BOLT B K	1
	PRX900 RUBBER SHEET K	1
	PRX900 GASKET BUTTON-1 K	1
	SCREW T3*10MM 1.06P ZN+NI+HT BLA K	10
	BUTTON BACK ABS 94HB PANTO K	1
	PRX900 GASKET LED K	1
	PRX900 EVA LENS 2 K	1
	SCREW M4XL10 NYLOK K	3
	900 LENS CHANNEL PC-110 94HB TRANS K	1
	TUBE PVC 5 10 - K	3
	LIMIT LENS PC-110 94HB TRANS K	1
	SCREW M3.0XL9 0.5P BLUE ZINC+NYL K	25
	PHB-4Y-PH-02 820MM 4PIN 2.0MM K	1
	PHB-2Y-PH-01 370MM 2PIN 2.0MM K	1
	PHB-2Y-PH-02 420MM 2PIN 2.0MM K	1
	LCD DISPLAY G02403AD01C5(GD3261B) K	1
	PRX900 PACKING ASSY K	1
	PRX900 EPS K	1
	G-CARTON PAD STAMPING PAPER L	0
	PLYWOOD PALLET E1 L	0
	PRX900 CARTON BOX K	1
	G-PP BAND YELLOW 11G/M L	0
	WRAP TAPE 0.02MMX450MMX340M L	0
	CORNER PAD YARN TUBE PAPER L5XW2XT0.5 L	0
	G-OPP TAPE W60MMXL60YD 100RL/BOX L	0
	EON618 PE BAG K	1
	EON700&EON718S CARTON LABEL K	1
	G4 BLANK LABEL FASSON-AW5209 L89XW54 K	1
	BLANK LABEL ALL MODELS SHARE L75XW10 L	1
	EON700&EON718S SERIAL LABEL K	1
	G4 BLANK LABEL FASSON-AW5209 L43XW10 K	1
	JBL PRX900 ACCESSORY ASSY K	1
	JBL PRX900 LED BOARD PCBA TEST K	1
	JBL PRX900 LED BOARD PCBA(DIP) K	1
	JBL PRX900 LED BOARD PCBA(SMD) K	1
	LED PCB 1.2 MM FR4 PRX900 2L 94V- K	1

LED1,LED2,LED3	LED 618 1.6X1. J6C0606RGBC3 JINGJU K	3
J1	CONN 4P P2 M\180 PH-4A-CS K	1
	HARMAN PRX-ONE NTC BOARD PCBA (SMT) K	2
PCB	ARRAY\NTC 1.2 MM FR4 PRXONE 2L 94V- K	1
CN8	CONNECTOR 2P P:2.0MM 90° SMT K	1
RT8	CHIP RES NTC 3% 0603 1/10W 470K OHM K	1