

8" Two-Way Full-Range Main System/Floor Monitor with Bluetooth

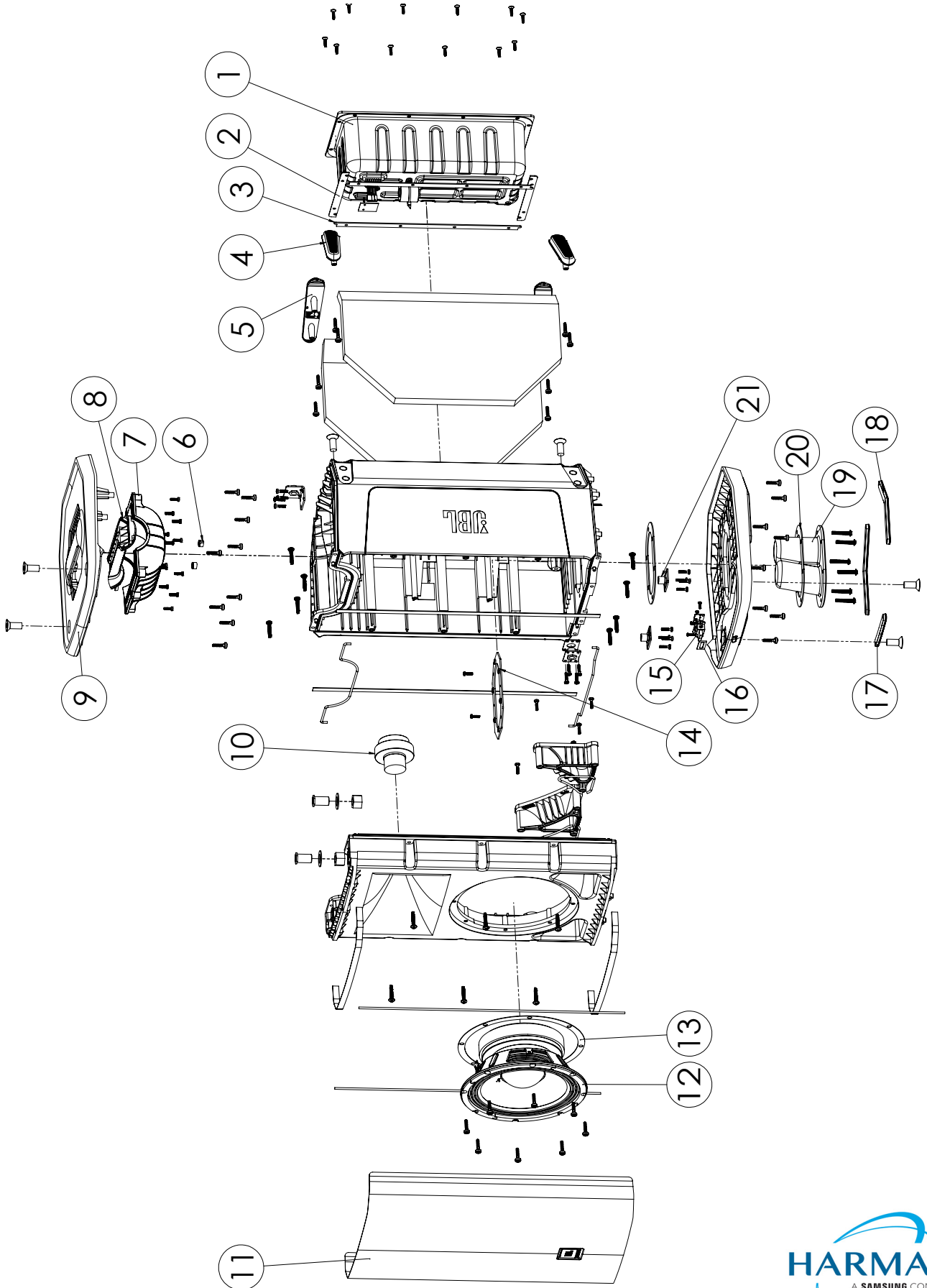


Power Cables	
P/N	Region
425-00000-00	N. America
425-00000-01	Europe
5027842	China
5028427	Australia
5134942-00	British
5137386-00	Japan

Speaker Spare Parts List				
Ref ID	P/N	Description	Qty	SKU
1	5135053-00	PRX900 AMP MODULE, FULL RANGE	1	AU CN EKD IN
	5137453-00	PRX900 AMP MODULE, FULL RANGE for TJ	1	NA EK
2	5135641-00	HDW,GASKET,EVA_S,AMP900FRV	2	
3	5135640-00	HDW,GASKET,EVA_L,AMP900FR	2	
4	5136008-00	HDW,FT,SIDE FOOT TOP,PRX908	2	
5	5136009-00	HDW,FT,SIDE FOOT BOTTOM,PRX908	2	
6	5136359-00	HDW,PLUG,TOP HANDL,PRX908	2	
7	5136019-00	ENCL,LID,TOP HANDLE COVER,PRX908	1	
8	5136020-00	HDW,HDL,TOP HANDLE,PRX908	1	
9	5135964-00	ENCL,CHAS,TOP COVER,PRX908	1	
10	5020337X	2408H-2 UNIT ASSEMBLY (CUSTOMER SERVICE)	1	NA EK
	5020337D	2408-2 UNIT ASSEMBLY (DANDONG)		AU CN EKD IN
11	5138561-00	SPKRSYS, GRL, ASY, w/Logo, PRX908	1	
12	5133908-00X	AUD,LS,ASY,908G WOOFER FOR CS	1	NA EK
	5139543-00	AUD,LS,ASY,908G WOOFER (DANDONG, for CS)		AU CN EKD IN
13	5136067-00	GASKET,8IN WOOFER	1	
14	5135630-00	HDW,BRKT,DUAL POLE CUP	1	
15	5135609-00	HDW,LTCONT,LIGHT GUIDE,PRX900	1	
16	5130426-00	HDW,SEAL,EVA_LIGHT GUIDE, EON700	1	
17	5136196-00	HDW,FT,BOTTOM FOOT FRONT,PRX908	1	
18	5136197-00	HDW,FT,BOTTOM FOOT SIDE,PRX908	2	
19	351256-001	CUP, DUAL POLE, VRX/JRX	1	
20	352957-001	GASKET, DUAL POLE CUP, VRX/JRX	2	
21	5136046-00	HDW,BRKT,SUSP,BOTTOM,M10,PRX908	2	
	PENDING	908G CONE KIT		

PRX908

8" Two-Way Full-Range Main System/Floor Monitor with Bluetooth



8" Two-Way Full-Range Main System/Floor Monitor with Bluetooth

Amplifier Module Spare Parts List			
Ref ID	PN	Description	Qty
1	5138418-00	ENCL,PNL,IO,BACK,PRX900	1
2	5138420-00	HDW,SHLD,AL1050,AMP,PRX900	1
3	5136026-00	HDW,KNOB,MASTER,EON700	1
4	5136027-00	HDW,KNOB,VOLUME,EON700	3
5	5134175-00	OPTO,DSPL,LCD,EON ONE MK2	1
6	5138423-00	HDW,SWCAP,BTN,PWR,PRX900	1
7	5138424-00	HDW,SWCAP,BTN,BACK,PRX900	1
8	5138425-00	HDW,BRKT,PSU,ALUMINUM,PRX900	1
9	5138475-00	ANT,BT,356MM,50OHM.PRX900	1
10	5138478-00	PCB,ASY,SMPS,TST,PRX900	1
11	5138479-00	PCB,ASY,DSP,UI,TST,PRX900	1

