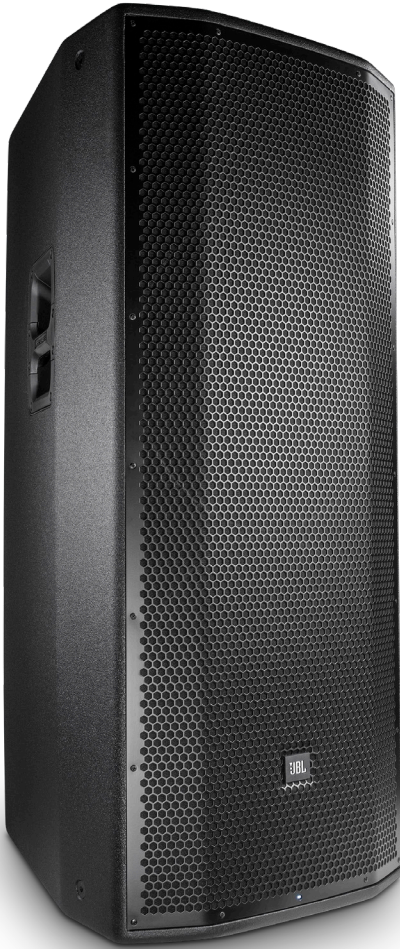
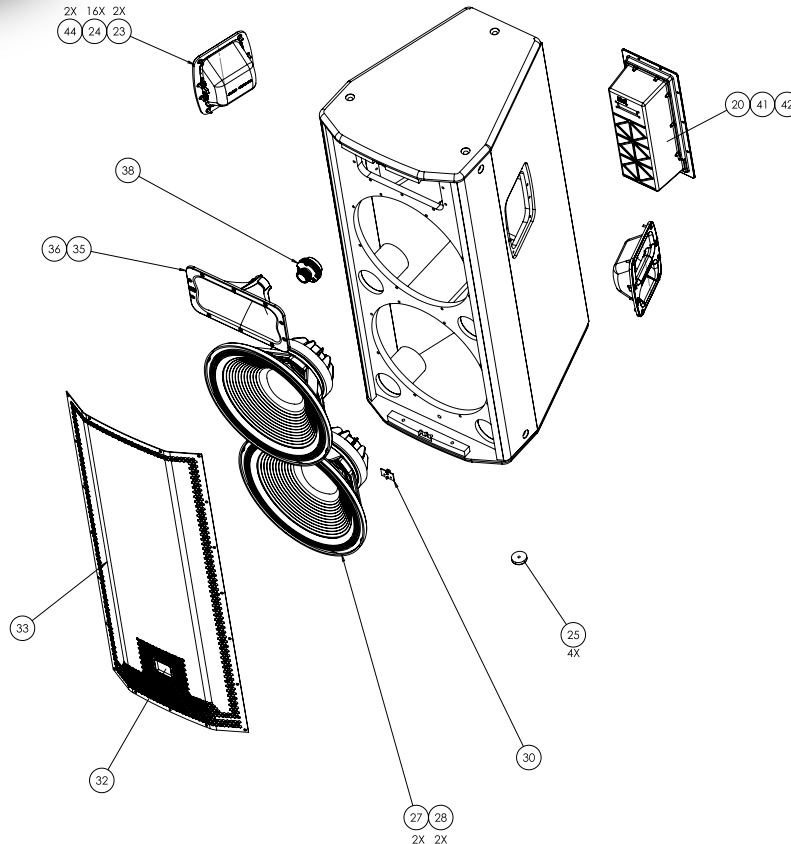


Dual 15" Two-Way Full-Range Main System with Wi-Fi



| Speaker Spare Parts List | | | |
|--------------------------|--------------|--|-----|
| Ref ID | P/N | Description | Qty |
| 20 | 5094102-00X | PRX825W AMPLIFIER 5072345 PROGRAMMED | 1 |
| 23 | 5032124 | HANDLE ASSY, PRX700 | 2 |
| 24 | 351256-001 | CUP, DUAL POLE, VRX/JRX | 1 |
| 25 | 353445-001 | FOOT, SRX | 4 |
| 27 | 5021909X | M/I, 275G FOR CUSTOMER SERVICE | 2 |
| | 5021909D* | M/I, 275G (CHINA) | |
| 28 | 360-70002-01 | GASKET, REAR 15" | 2 |
| 30 | 5070590 | LED PCB, PRX800 | 1 |
| 32 | 5056661 | LOGO SRX800, EON615 | 1 |
| 33 | 5064268 | GRILLE, PRX825 | 1 |
| 35 | 338800-001 | HORN, JRX | 1 |
| 36 | 351577-001 | GASKET, 6.5 X 12 WAVEGUIDE AE | 1 |
| 38 | 5020337X | 2408H-2 UNIT ASSEMBLY (CUSTOMER SERVICE) | 1 |
| | 5020337D* | 2408H-2 UNIT ASSEMBLY (CHINA) | |
| 41 | 5036521 | NETWORK ASSY, PRX725 | 1 |
| 42 | 5033758 | HARNESS ASSY, PRX725/ PRX735 | 1 |
| 44 | 445327-001 | GASKET, HANDLE VTX-V25 | 1 |
| 70 | 5074270 | ANTENNA, PRX800 | 1 |
| | C4R275 | CONE KIT 275 | |

*China only



Dual 15" Two-Way Full-Range Main System with Wi-Fi

Amp Module Spare Parts List

| Ref ID | P/N | Description | Qty |
|--------|------------|---|-----|
| 2 | 5032731 | ISOLATING SHEET, PRX700 | 1 |
| 3 | 5032725 | GAP PAD 1, PRX700 | 2 |
| 4 | 5032727 | GAP PAD 2, PRX700 | 1 |
| 5 | 5032729 | GAP PAD 3, PRX700 | 1 |
| 6 | 5042333 | PSU / AMPLIFIER BOARD ASSEMBLY, PRX700 (A2710515B01A) | 1 |
| 7 | 5032723 | 26PIN RIBBON CABLE, PRX700 | 1 |
| 8 | 5075604 | CBL,WA,RF,PAS,200mm,50ohm,RP-SMA,MHF | 1 |
| 9 | 5038780 | GASKET, PCB PASS THROUGH | 1 |
| 10 | 5032751 | PASS THRU PCB ASSEMBLY- 2 WAY, PRX700 | 1 |
| 13 | 5068733 | MECHASY,PRX 812W/815W,REAR PNL | 1 |
| | 445045-001 | KNOB, MIXER EON206P | 2 |
| | 5032747 | AC INLET SOCKET, PRX700 | 1 |
| | 5047651 | HDW,SWCAP,VERT,RND,BLACK,20MM HT,2.4MM SQ MT | 6 |
| | 5047671 | HDW,LTPP,SINGLE SMT LED,DOME,26MM HT | 11 |
| | 5131511-00 | PCB,ASY,TST,Input_Full_AV1_PRX825W | 1 |
| | 141850-1 | SW, 1P1T PB 250V 50MA SM VRT | 6 |
| | 5039565 | CON,XLR,M,3P,PLASTIC,TH,VERT | 1 |
| | 5066142 | CON,DUAL,RCA,VERT,24MM,WHT/RED,TH | 1 |
| | 5073007 | CON,XLR,VERT,AuCoAg,FEM,COMBO,DISASY | 2 |
| | 5068781 | THRMMGT,FAN,50X50X15,24V,11.6 CFM | 1 |
| | 5071362-02 | PCB,ASY,PRX_8xx_LINE_FILTER,AV1 | 1 |
| 17 | 5032126 | AMP GASKET, PRX700 | 2 |

Power Cords

| P/N | Region |
|--------------|--------|
| 425-00000-00 | USA |
| 425-00000-01 | Europe |
| 5028427 | AU |
| 5027842 | CH |

