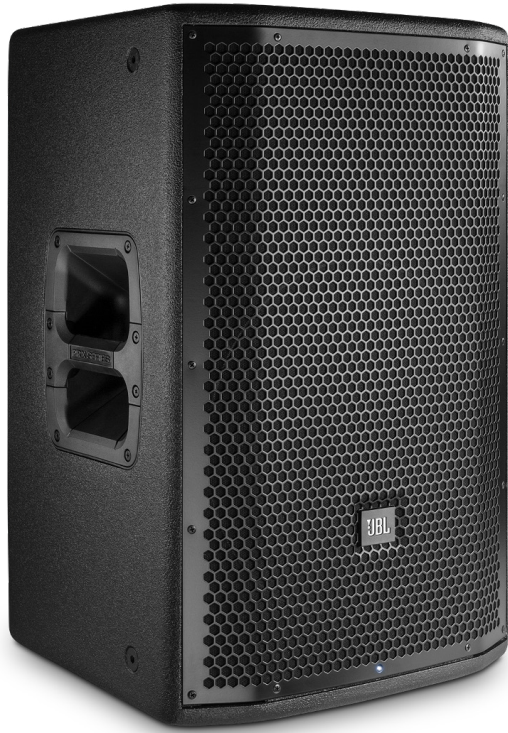
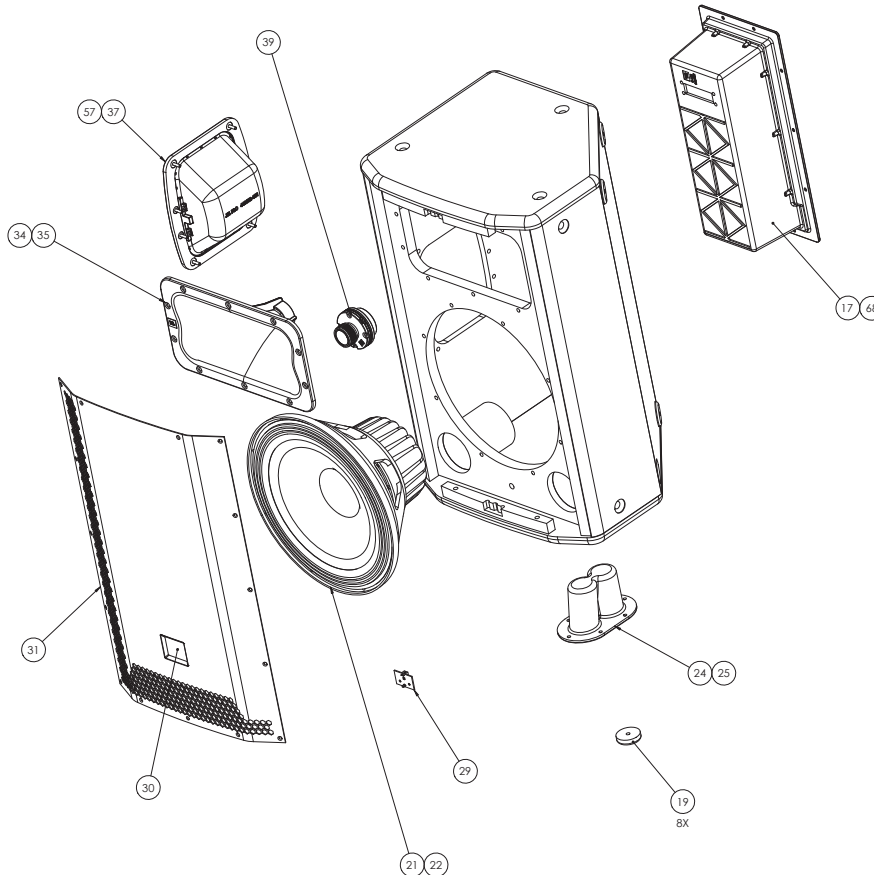


12" Two-Way Full-Range Main System/Floor Monitor with Wi-Fi



Speaker Spare Parts List			
Ref ID	P/N	Description	Qty
17	5033752	HARNES ASSY, PRX712	1
19	353445-001	FOOT, SRX	8
21	5021910X	M/I, 272G (FOR CUSTOMER SERVICE)	1
	5021910D*	M/I, 272G (CHINA)	
22	339391-001	GASKET, 12" WOOFER, AE	1
24	351256-001	CUP, DUAL POLE, VRX/JRX	1
25	352957-001	GASKET, DUAL POLE CUP, VRX/JRX	1
29	5070590	LED PCB, PRX800	1
30	5056661	LOGO SRX800, EON615	1
31	5062483	Grille PRX812	1
34	338800-001	HORN, JRX	1
35	351577-001	GASKET, 6.5 X 12 WAVEGUIDE AE	1
37	5032124	HANDLE ASSY, PRX700	1
39	5020337X	2408H-2 UNIT ASSEMBLY (CUSTOMER SERVICE)	1
	5020337D*	2408H-2 UNIT ASSEMBLY (CHINA)	
57	445327-001	GASKET, HANDLE VTX-V25	1
68	5094105-00X	PRX812W AMPLIFIER 5069052 PROGRAMMED	1
75	5074270	ANTENNA, PRX800	1
-	C4R272	CONE KIT 272G	

*China only



12" Two-Way Full-Range Main System/Floor Monitor with Wi-Fi

Amp Module Spare Parts List

Ref ID	P/N	Description	Qty
2	5032731	ISOLATING SHEET, PRX700	1
3	5032725	GAP PAD 1, PRX700	2
4	5032727	GAP PAD 2, PRX700	1
5	5032729	GAP PAD 3, PRX700	1
6	5042333	PSU / AMPLIFIER BOARD ASSEMBLY, PRX700 (A2710515B01A)	1
7	5032723	26PIN RIBBON CABLE, PRX700	1
8	5075604	CBL,WA,RF,PAS,200mm,50ohm,RP-SMA,MHF	1
9	5038780	GASKET, PCB PASS THROUGH	1
10	5032751	PASS THRU PCB ASSEMBLY- 2 WAY, PRX700	1
13	5068733	MECHASY,PRX 812W/815W,REAR PNL	1
-	445045-001	KNOB, MIXER EON206P	2
-	5032747	AC INLET SOCKET, PRX700	1
-	5047651	HDW,SWCAP,VERT,RND,BLACK,20MM HT,2.4MM SQ MT	6
-	5047671	HDW,LTPP,SINGLE SMT LED,DOME,26MM HT	11
-	5131510-00	PCB,ASY,TST,Input_Full_AV1_PRX812W	1
-	141850-1	SW, 1P1T PB 250V 50MA SM VRT	6
-	5039565	CON,XLR,M,3P,PLASTIC,TH,VERT	1
-	5066142	CON,DUAL,RCA,VERT,24MM,WHT/RED,TH	1
-	5073007	CON,XLR,VERT,AuCoAg,FEM,COMBO,DISASY	2
-	5068781	THRMMGT,FAN,50X50X15,24V,11.6 CFM	1
-	5071362-02	PCB,ASY,PRX_8xx_LINE_FILTER,AV1	1
17	5032126	AMP GASKET, PRX700	2

Power Cords

P/N	Region
425-00000-00	USA
425-00000-01	Europe
5028427	AU
5027842	CH

