

Technical Manual

JBL MR938



SPECIFICATIONS

ACOUSTIC & ELECTRICAL SPECIFICATIONS:

- Nominal Impedance: 8 ohm
- Power Capacity: Continuous Pink Noise: 250W
Peak Pink Noise: 1000W
- Frequency Range: 38 Hz to 18 kHz (-10dB)
- Sensitivity: 100 dB SPL*
- Crossover Frequencies: 600 Hz, 2 kHz

SYSTEM COMPONENTS:

- Cabinet: CMR938
- Grille: (330614-001)
- Low Frequency Transducer: 460mm (18 in.) Cone Transducer 2042H (311693-001X)
- DC Resistance: 3.9 ohm ±10% Aluminum Wire
- Mid Frequency Transducer: 250mm (10 in.) Cone Transducer MI-10-1 (63241-07)
- DC Resistance: 5.6 ohm ±10% Aluminum Wire

*1 Watt (2.83 V RMS) @ 1 Meter

SYSTEM COMPONENTS: (cont'd)

- High Frequency Transducer: 25mm (1 in.) Pure Titanium Compression Driver 2418H
- DC Resistance: 3.2 ohm ±8% Aluminum Wire
- Crossover Network: (330598-001)

AURAL SWEEP TEST SPECIFICATIONS:

- A. System Aural Sweep Test: 7.0V Input, 20 Hz to 20 kHz
- B. L.F. Aural Sweep Test: 6.0V Input, 20 Hz to 1.2 kHz
- C. M.F. Aural Sweep Test: 8.0V Input, 20 Hz to 1.2 kHz
- D. H.F. Aural Sweep Test: 2.83V Input, 550 Hz to 20 kHz

PHYSICAL SPECIFICATIONS:

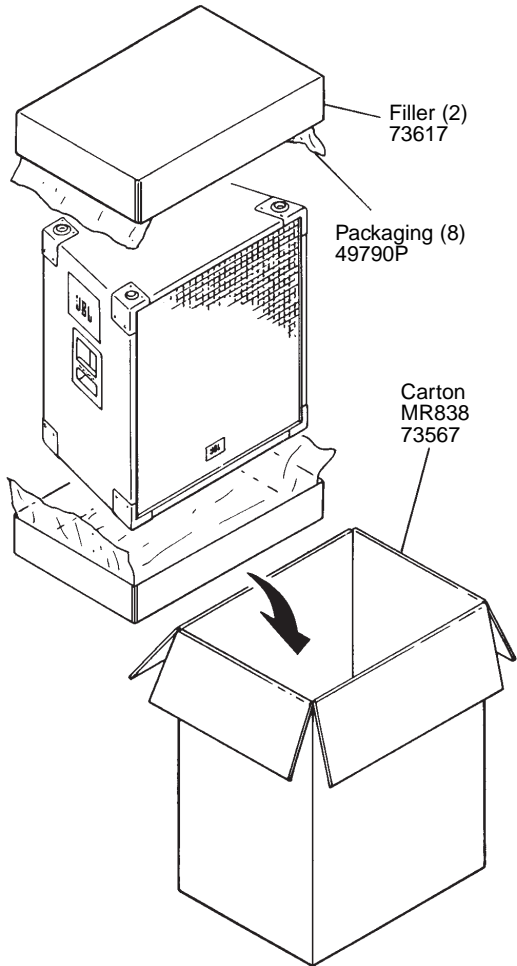
- Enclosure Dimensions: 845 mm x 714mm x 457mm D (33.25 x 28.12 x 18.0 in. D)
- Shipping Weight: 105 lbs. (47.6 kg.)

WARRANTY INFORMATION:

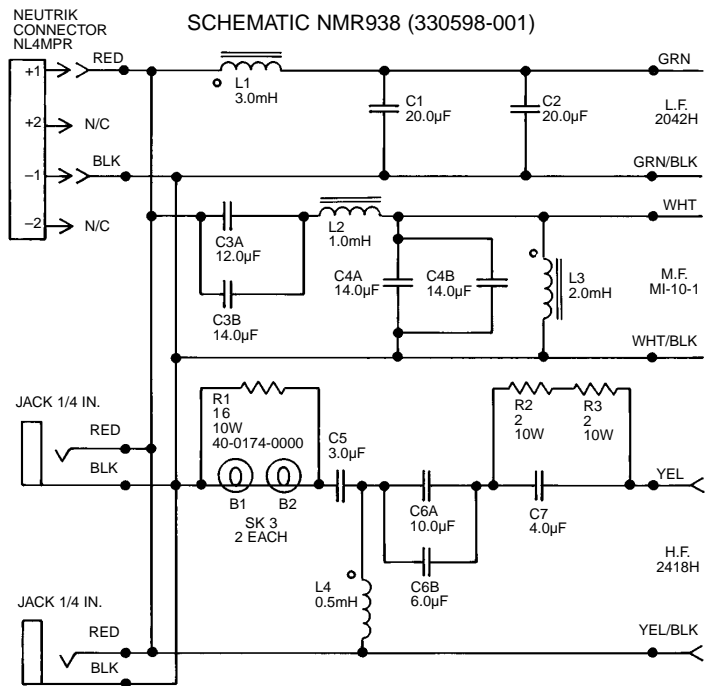
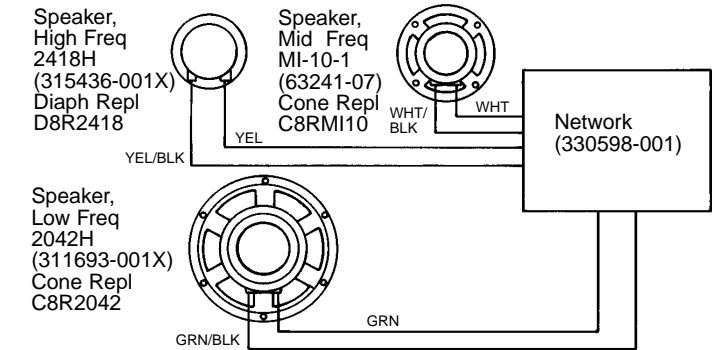
- Refer to Warranty Statement packed with each product.

PACKAGE

Warranty 59660
Specification Sheet 980-00016-00
Under Pad



WIRING DIAGRAM



NOTE: INDIVIDUAL PARTS FOR THE ABOVE CROSSOVER ARE NOT AVAILABLE. A COMPLETE REPLACEMENT ASSEMBLY SHOULD BE ORDERED.

JBL MR938 REV H

JBL MR938

COMPONENT EXPLODED VIEW

