

All-in-one, battery-powered column-speaker with
a 5-channel mixer and built in DSP.



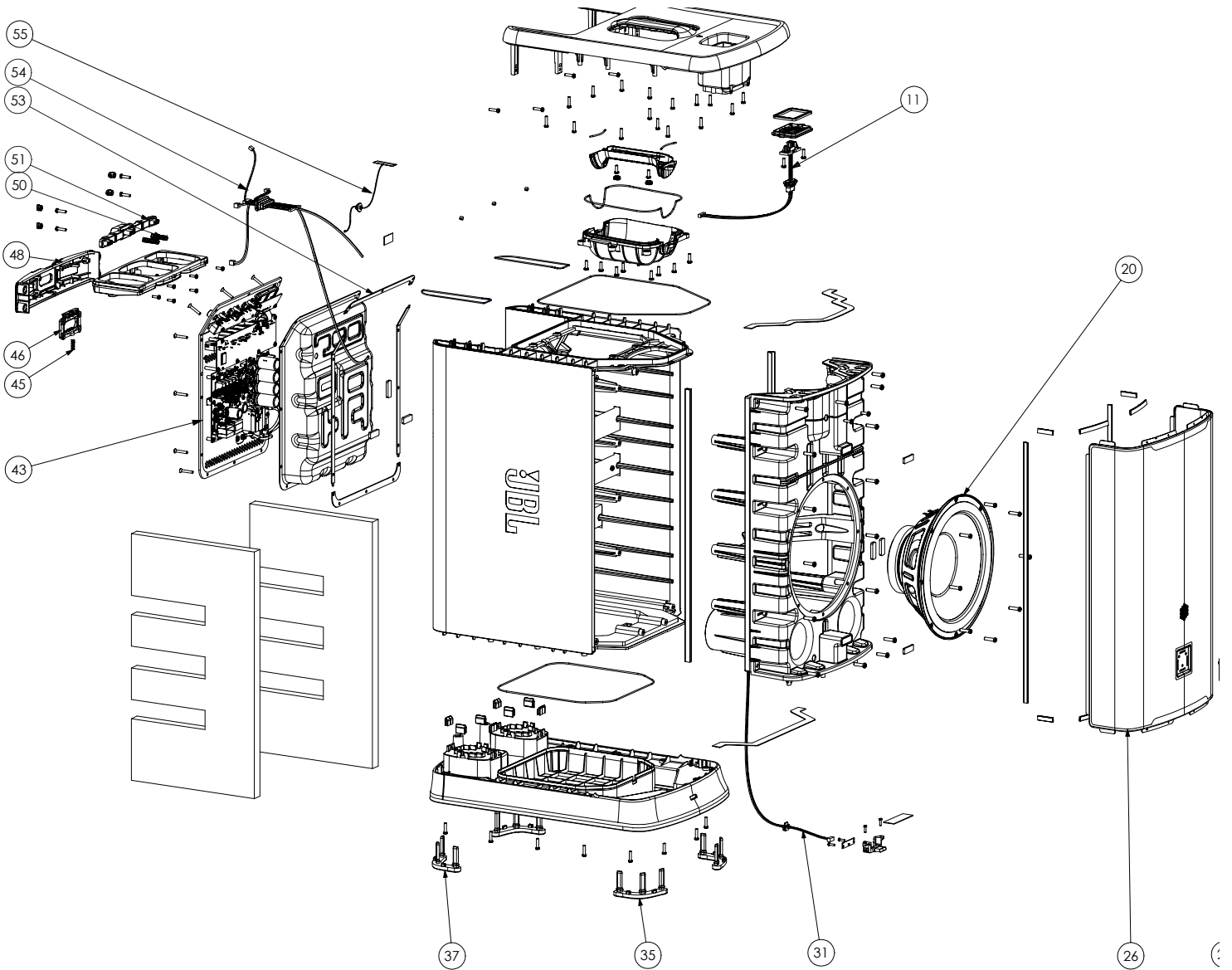
Spare Parts List (Main Assembly)			
Ref ID	P/N	Description	Qty
20	5134168-00	AUD,LS,WOOFER,10IN,BT	1
25	5134132-00	SPKRSYS,GRL,SPCC,WIT LOGO,EON ONE MK2	1
26			
35	5134137-00	HDW,FT,B,RBR	2
37	5134138-00	HDW,FT,A,RBR	2
43	5134171-00	MDL,ELEC,TST,AMP,115V,EON ONE MK2	1
	5139043-00	MDL,ELEC,TST,AMP,230V,EON ONE MK2	
45	5134141-00	HDW,ASY,REPAIR KIT FOR LATCH	1
46			
48			
50			
51			
53			
55	5134174-00	ANT,BT,50 OHM,250MM	1
	5138342-00	MECHASY,SPKRSYS,EXTN TWR,NO BTRY,EON MK2	1
*	JBL-EONONE-BATT	JBL EON ONE MK2 SPARE BATTERY	1

* Not a spare part, sold as an accessory

Spare Parts List (Repair Kit for Cables)				
Model	Ref ID	P/N	Description	Qty
Main Assembly	11	5134167-00	CBL,ASY,REPAIR KIT FOR ALL CABLES	1
	31			1
	54			1
Amplifier Module	19			1
	29			1
	31			1
Array Assembly	14			1
Extension ASSY without Battery	6			1
Extension ASSY with Battery	8			1

EON ONE MK2

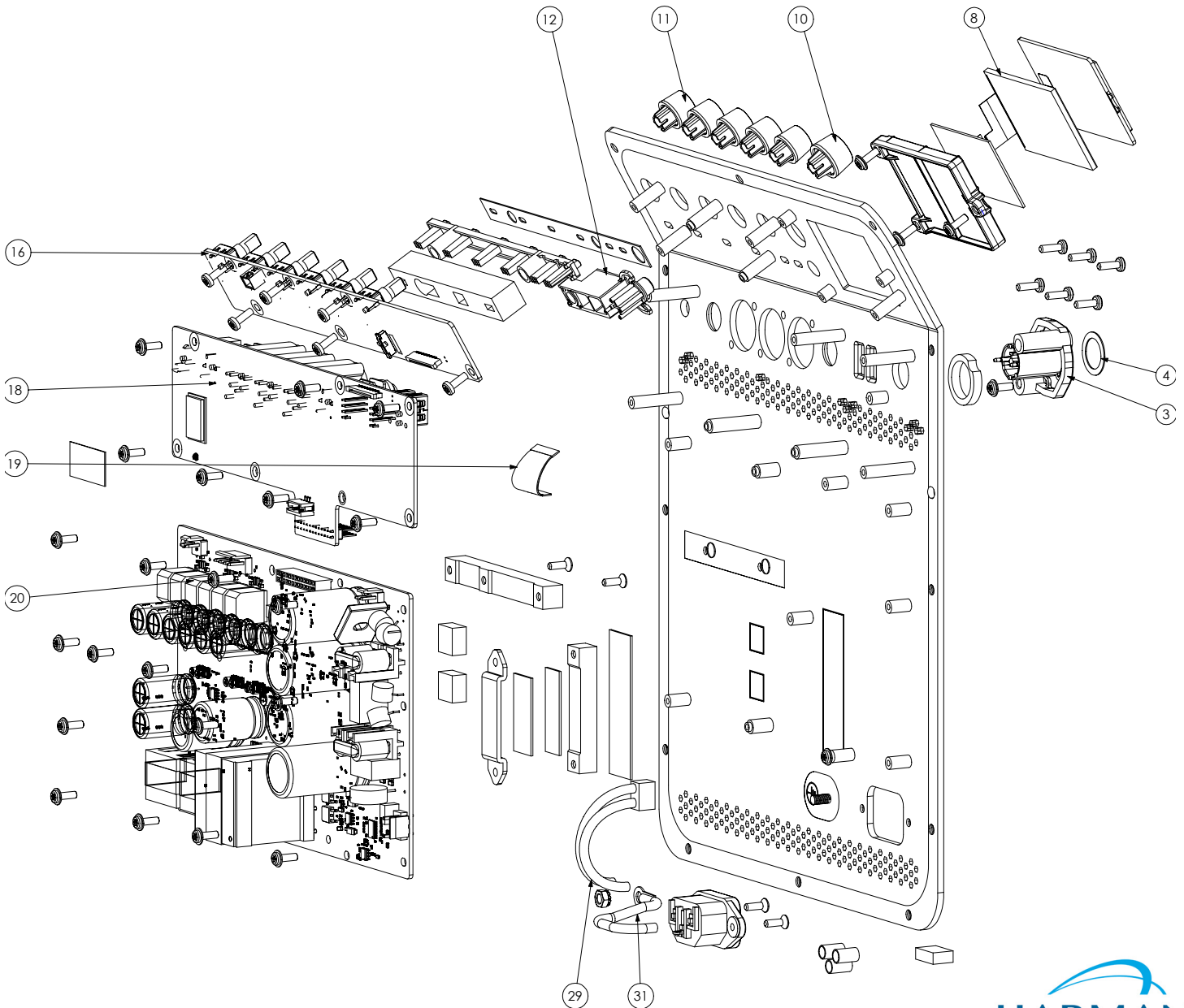
All-in-one, battery-powered column-speaker with
a 5-channel mixer and built in DSP.



All-in-one, battery-powered column-speaker with
a 5-channel mixer and built in DSP.

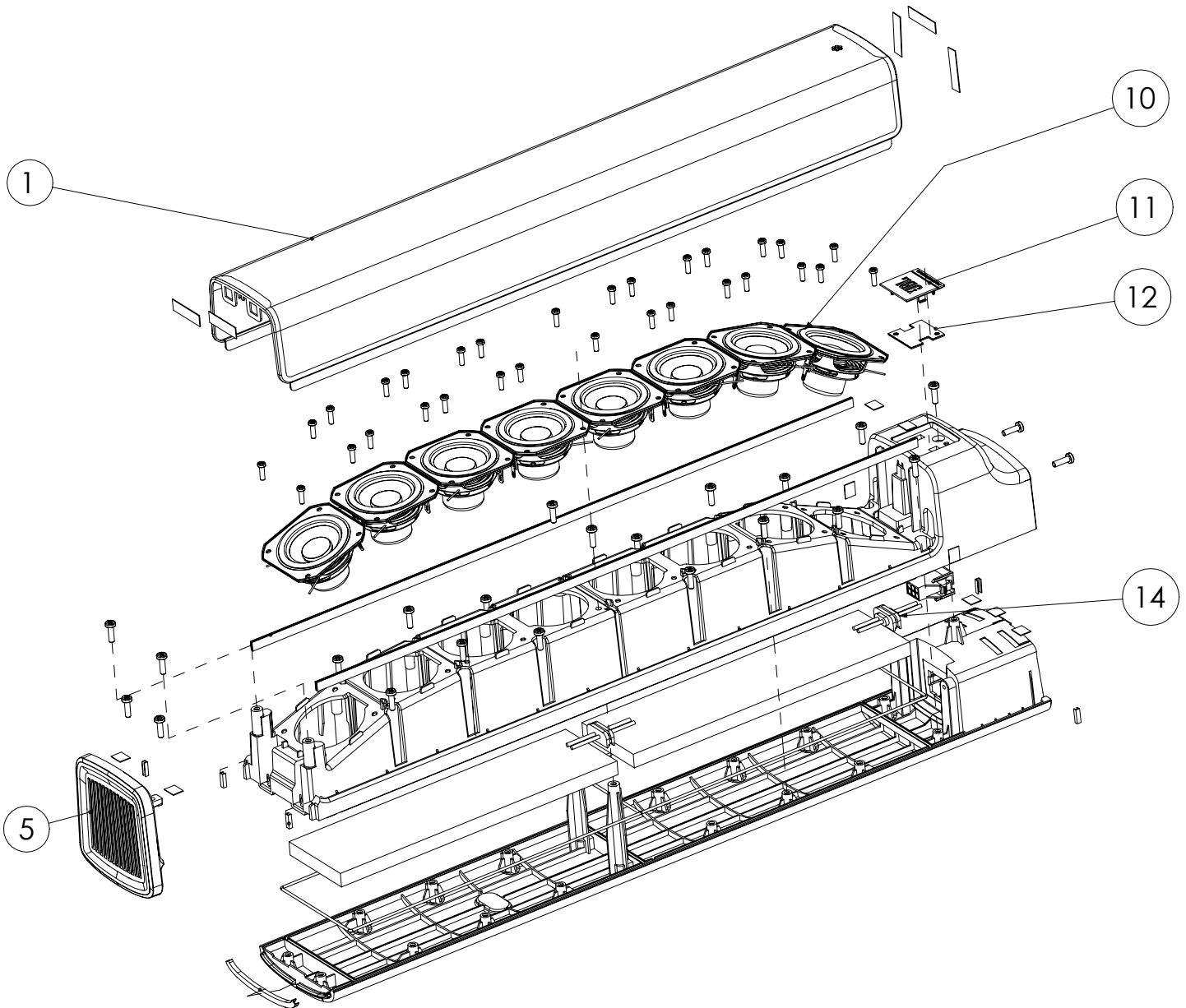
Spare Parts List (Amplifier Module)

Ref ID	P/N	Description	Qty
3	5134150-00	HDW,KNOB,POWER,EON ONE MK2	1
4			
8	5134175-00	OPTO,DSPL,LCD,EON ONE MK2	1
10	5132215-00	HDW,KNOB,Master Knob	1
11	5134152-00	HDW,KNOB,FUNCTION,EON ONE MK2	5
12	5134153-00	HDW,KNOB,RESET,EON ONE MK2	1
16	5134176-00	PCB,ASY,TST,UI CONTROL,EON ONE MK2	1
18	5134177-00	PCB,ASY,TST,IO CONTROL,EON ONE MK2	1
20	5139465-00	PCB,ASY,TST,POWER,EON ONE MK2,110V	1
	5134179-00	PCB,ASY,TST,POWER,EON ONE MK2,220V	



All-in-one, battery-powered column-speaker with
a 5-channel mixer and built in DSP.

Spare Parts List (Array Assembly)			
Ref ID	P/N	Description	Qty
1	5134158-00	SPKRSYS,GRL,ARRAY,EON ONE MK2	1
5	5134160-00	ENCL,LID,ARRAY TOP CVR,ABS	1
10	5134182-00	AUD,LS,TWEETER,2IN,4OHM	8
11	5134164-00	HDW,ASY,NPL,ARRAY JBL LOGO WITH EVA	1
12			1



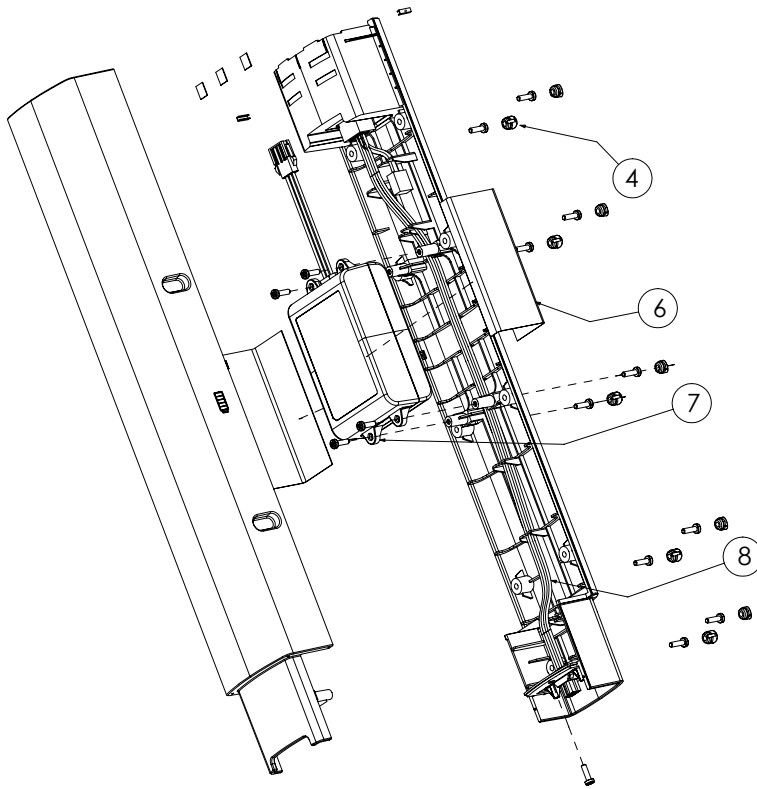
EON ONE MK2

All-in-one, battery-powered column-speaker with
a 5-channel mixer and built in DSP.

Spare Parts List (Extension Assembly without Battery)			
Ref ID	P/N	Description	Qty
4	5137774-00	HDW,PLUG,RBR,OD7.7XH8.7MM	10

Spare Parts List (Extension Assembly with Battery)			
Ref ID	P/N	Description	Qty
4	5137774-00	HDW,PLUG,RBR,OD7.7XH8.7MM	10
6	5134166-00	PSU,BTRY,C129W-MH1,37V,3200MAH,WITH EVA	2
7			1

Extension Assembly with Battery



Extension Assembly without Battery

