

Technical Manual

JBL EONSUB-G2

SPECIFICATIONS



ACOUSTIC & ELECTRICAL SPECIFICATIONS:

- Power Capacity: 250 Watts @ Low Frequency Driver Impedance. 2
- Frequency Range: 40 Hz – 200 kHz (± 10dB)
- Sensitivity: 93 dB SPL, 1 Watt @ 1 Meter
- Crossover Frequency: 150 Hz (±3 dB)

SYSTEM COMPONENTS:

- Low Frequency Transducer: Integral Frame with one 15" (380 mm) Driver, Dual Neodymium Magnet, 2" Differential-Drive Voice Coil
- DC Resistance: 1.4 ohm ±10%
- Low Pass Filter: 125 Hz, Active, 2 Pole
- Enclosure Alignment: 6th Order
- Input Type: Balanced Differential
- Input Sensitivity: Line: +4 dBu (Nominal)
Speaker: 20 Volts

SYSTEM COMPONENTS: (CONT'D)

- Input Impedance: Line: 16 k
Speaker: 143 k
- Max Input Level: Line: +28 dB
Speaker: 120 VRMS

AURAL SWEEP TEST SPECIFICATIONS:

- A. System Aural Sweep Test: 200mv Input RMS, Pot at 1/2
- B. L.F. Aural Sweep Test: 4.0V Input, 20 Hz to 250 kHz

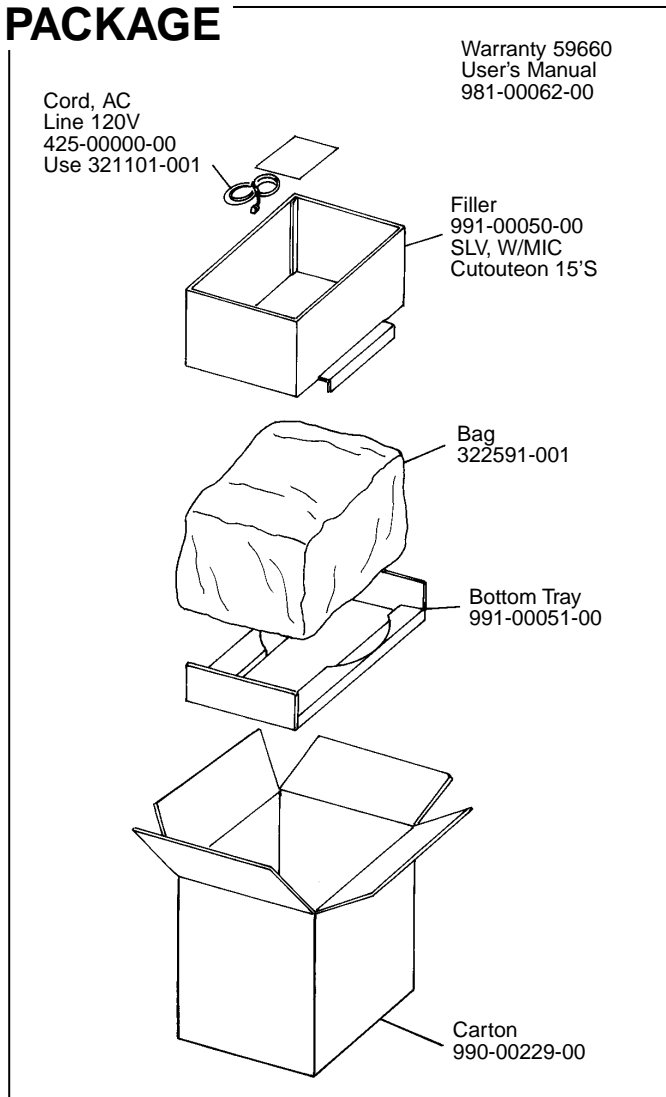
PHYSICAL SPECIFICATIONS:

- Enclosure Dimensions: 686mm x 430mm x 444mm D (27.0 x 17.0 x 17.5 in. D)
- Shipping Weight: 54.4 lbs. (24.6 kg.)

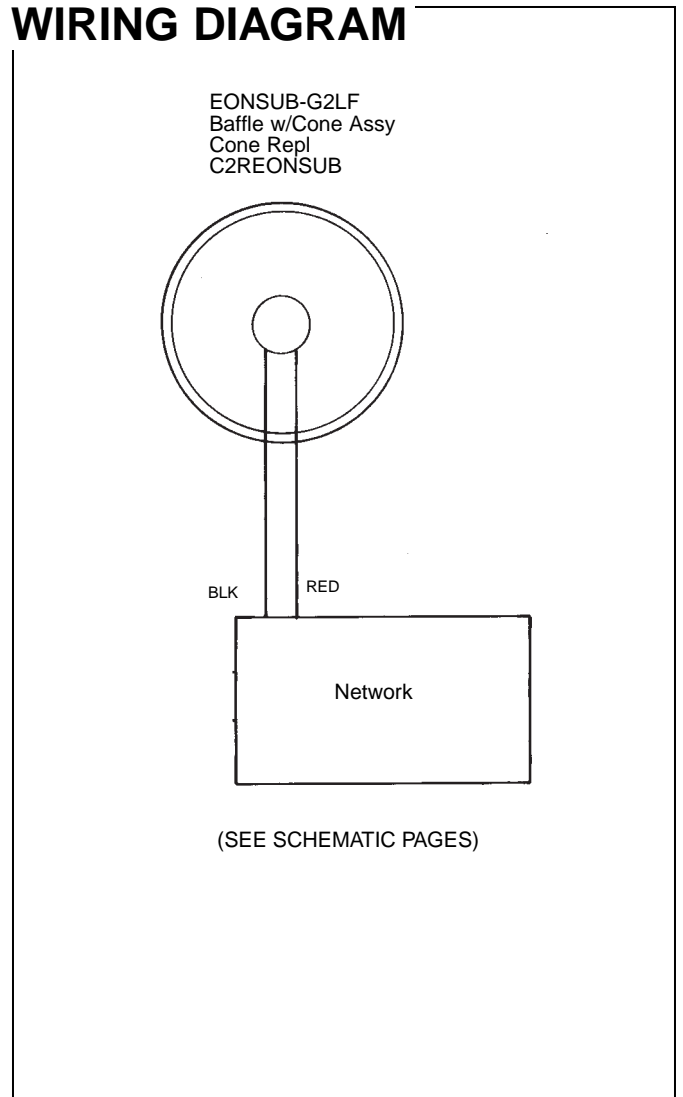
WARRANTY INFORMATION:

- Refer to Warranty Statement packed with each product.

PACKAGE

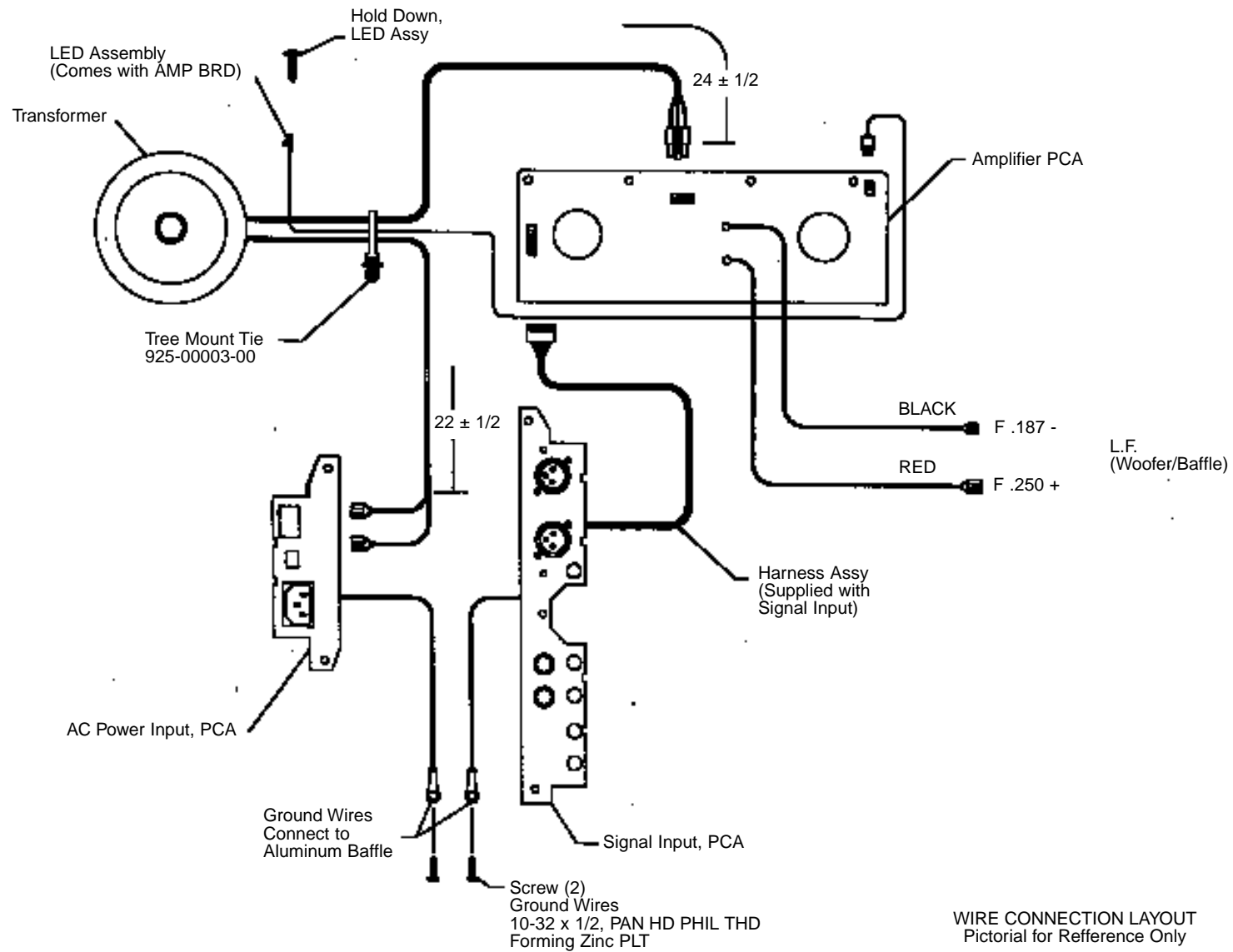


WIRING DIAGRAM



JBL EONSUB-G2 REV N

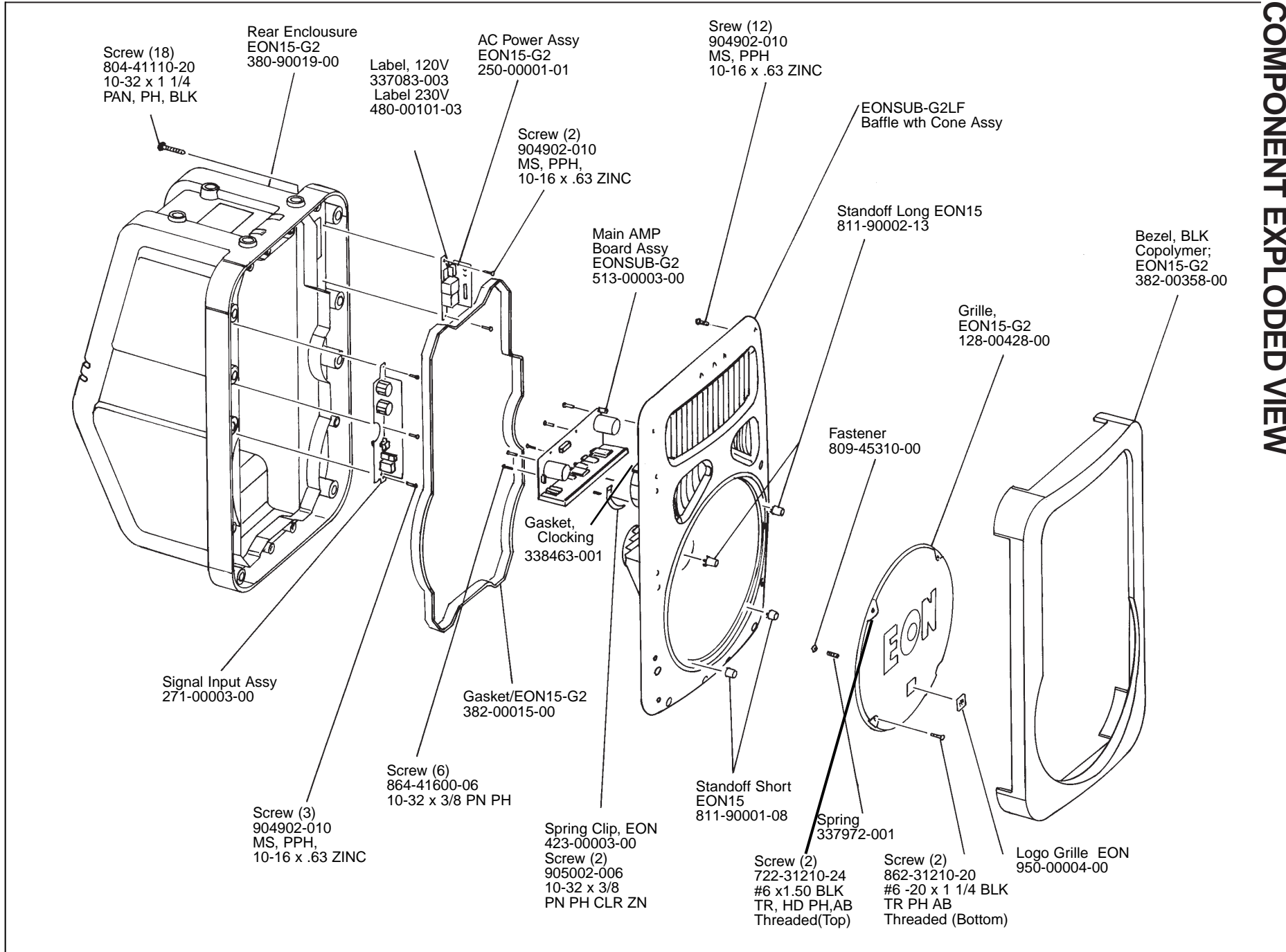
JBL EONSUB-G2



JBL EONSUB-G2

COMPONENT EXPLODED VIEW

JBL EONSUB-G2



JBL EONSUB-G2

COMPONENT EXPLODED VIEW

JBL EONSUB-G2

