

# Technical Manual



# JBL C67HC/T-WH

## SPECIFICATIONS

### ACOUSTIC & ELECTRICAL SPECIFICATIONS:

- Rated Impedance: 8 Ohms
- Power Capacity: 150W Continuous Program Power  
75 W Continuous Pink Noise  
(with 300W peaks)
- Frequency Response: 75 Hz - 17 kHz (-10 dB)
- Frequency Range: 110 Hz - 16 kHz (± 3 dB)
- Rated Maximum SPL: 112 dB continuous pink noise, 118 dB peak @1 meter
- Nominal Sensitivity: 93 dB
- Crossover Frequency: 1.7 kHz

### SYSTEM COMPONENTS:

- Cabinet: (Enclosure) Not for Sale
- Grille: 445004-001, 445004-002 (WH)
- Low Frequency Driver: 165 mm (6.5 in) polypropylene coated paper with pure butyl rubber surround, 25 mm (1 in) copper voice coil, vented fiberglass resin voice coil-former.
- DC Resistance: 6 ohm ± 10%
- High Frequency Driver: 25 mm (1 in) textile soft-dome, neodymium magnet assembly, ferro-fluid cooling, aluminum voice coil-former

### SYSTEM COMPONENTS: (CONT'D)

- DC Resistance: 4.8 ohm ± 10%
- Crossover Network Assembly: 445020-001

### AURAL SWEEP TEST SPECIFICATIONS:

- A. System Aural Sweep Test: 5V Input, 60 Hz - 20 kHz
- B. L.F. Aural Sweep Test: 8V Input, 60 Hz - 20 kHz
- C. HF Aural Sweep Test: 3V Input, 500 Hz - 20 kHz

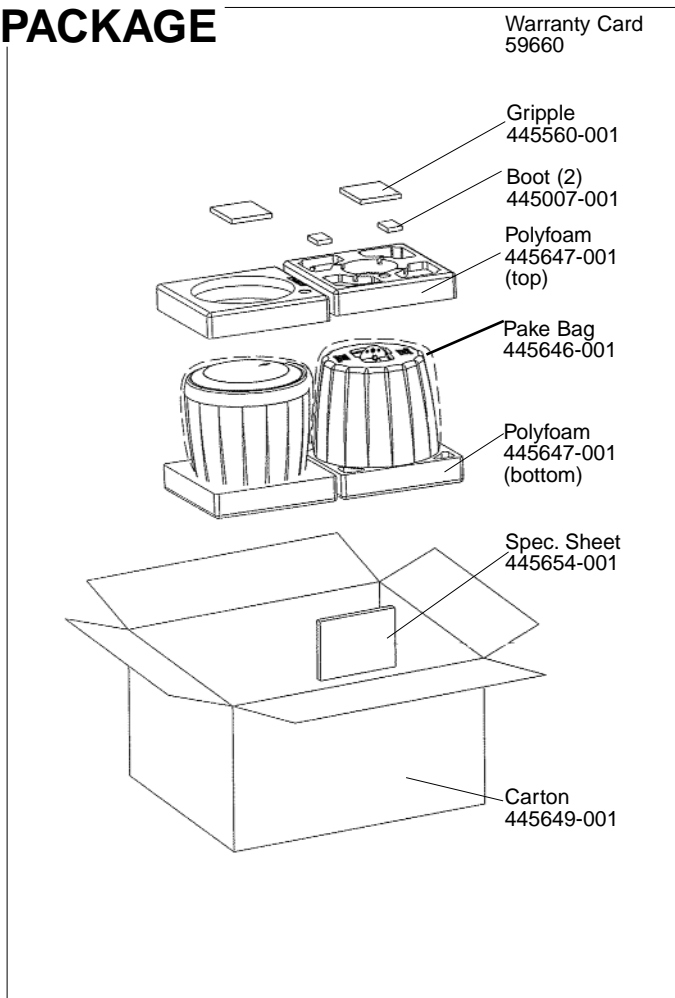
### PHYSICAL SPECIFICATIONS:

- Enclosure Dimensions: 333 mm (13.1 in) diameter x 344 mm (13.6 in) height to top of cabinet, 369 mm (14.5) to top of suspension bracket
- NET WEIGHT: 13 lb (5.9 kg)

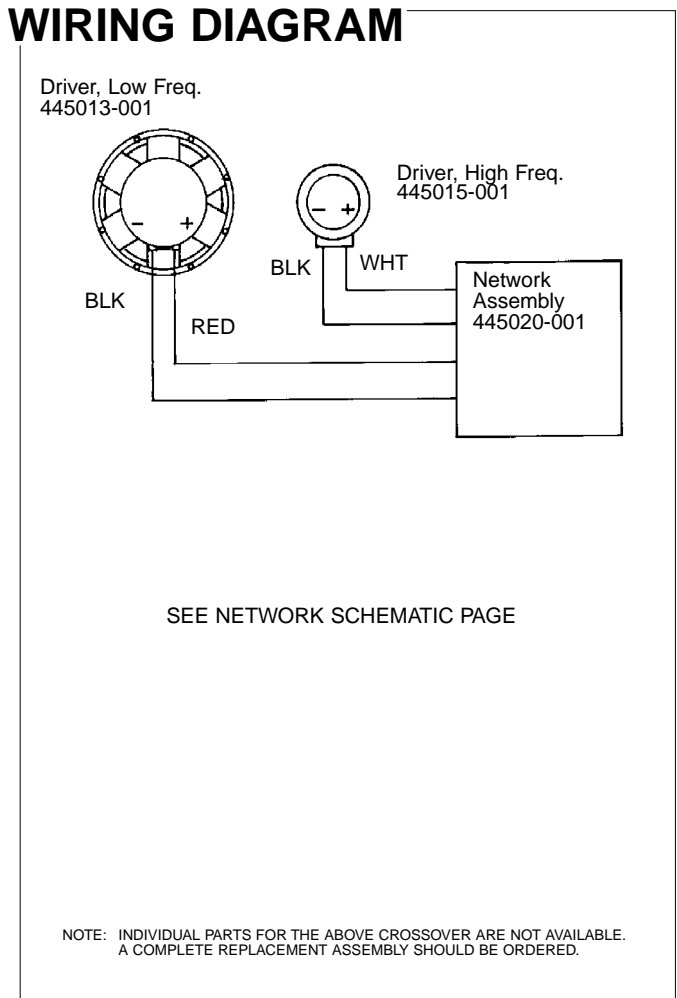
### WARRANTY INFORMATION:

- Refer to Warranty Statement packed with each product.
- Transformer Taps: 70V: 60W, 30W, 15W & 7.5W  
100V: 60W, 30W, 15W

## PACKAGE



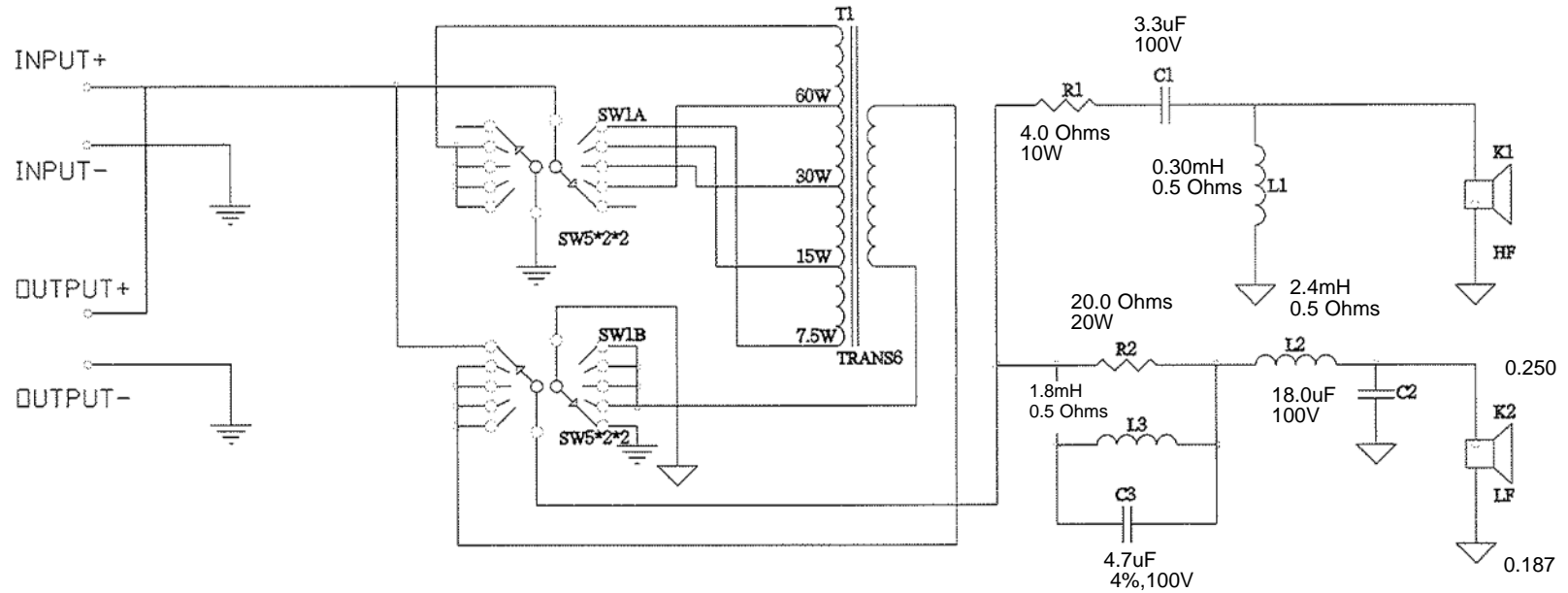
## WIRING DIAGRAM



JBL C67HC/T-WH REV A

# JBL C67HC/T-WH

SCHEMATIC (445020-001)

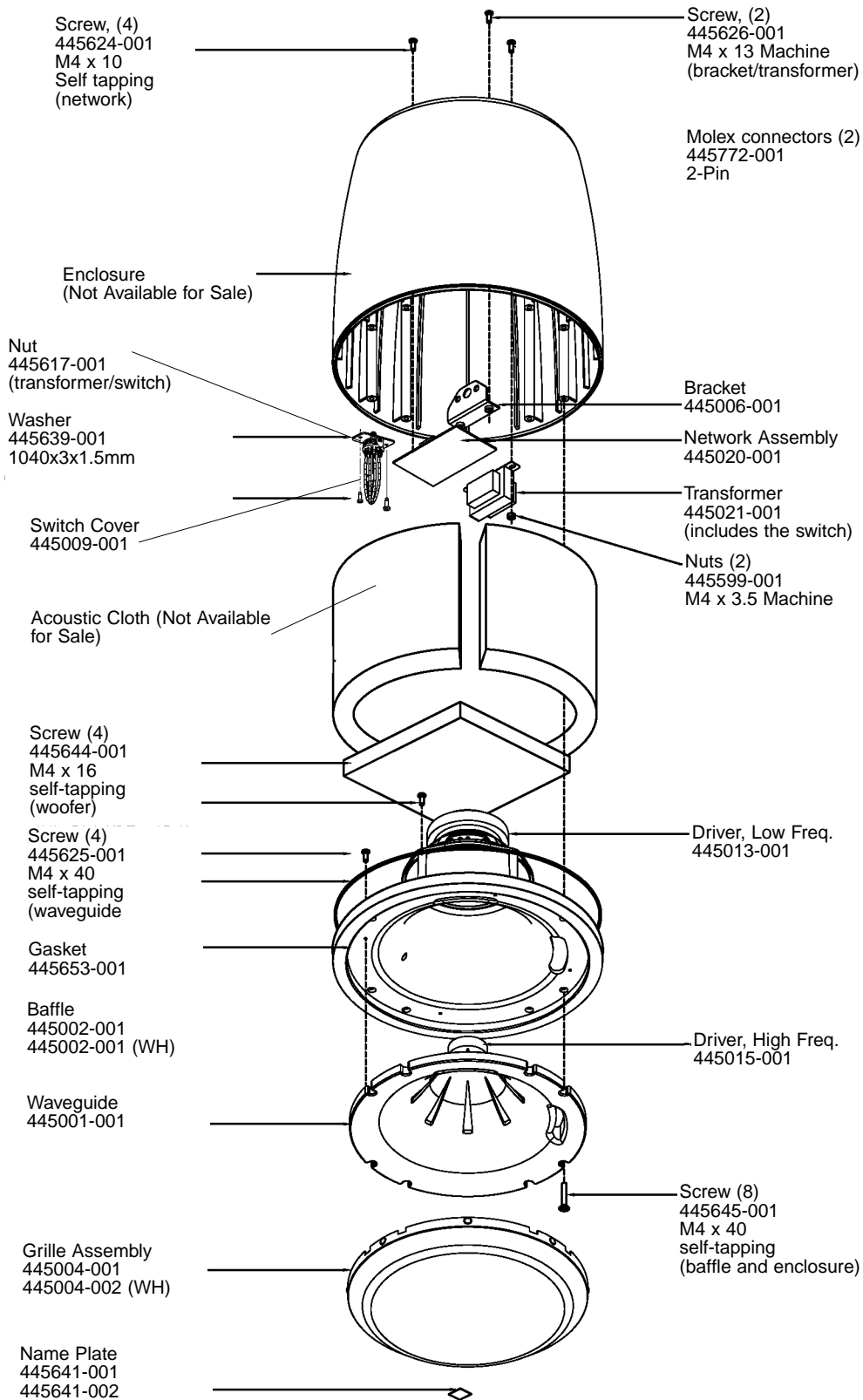


Individual Parts for the above crossover are not available.  
A complete replacement assembly should be ordered.

JBL C67HC/T-WH

# JBL C67HC/T-WH

## COMPONENT EXPLODED VIEW



JBL C67HC/T-WH