

# Technical Manual



# JBL4642A/GS

## SPECIFICATIONS

### ACOUSTIC & ELECTRICAL SPECIFICATIONS:

- Nominal Impedance: 4 ohm
- Power Capacity: Continuous Pink Noise: 1200W  
Continuous Program: 2400W  
Peak Power: 4800W
- Frequency Range: Lower Frequency Limits (No EQ)  
22 Hz: -10 dB  
35 Hz: -3 dB  
Lower Frequency Limits (With EQ)  
20 Hz: -10 dB  
22 Hz: -3 dB
- Sensitivity: 50 Hz - 500 Hz: 101 dB, 1W @ 1m  
40 Hz - 100 Hz: 100 dB, 1W @ 1m
- Crossover Frequencies: High-Pass 20 Hz, 12 dB/Octave or Greater  
Low-Pass 80 Hz - 150 Hz, 12 dB/Octave or Greater

### SYSTEM COMPONENTS:

- Cabinet: C4642A
- Low Frequency Transducer: 460mm (18 in.) Cone Transducer (2241HPL) (2)
- DC Resistance: 5 ohm ±10% Aluminum Wire
- Terminal Assy: 396-00008-00 (2)

### AURAL SWEEP TEST SPECIFICATIONS:

- A. System Aural Sweep Test: 10.0V Input, 20 Hz to 1.2 kHz
- B. L.F. Aural Sweep Test: 10.0V Input, 20 Hz to 1.2 kHz

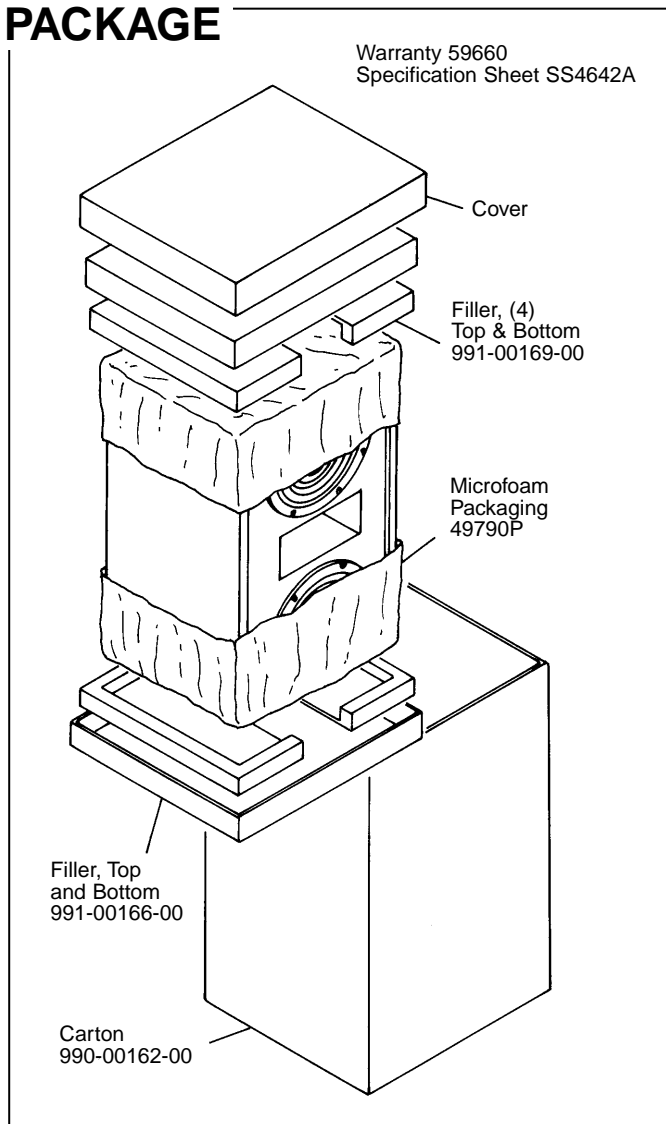
### PHYSICAL SPECIFICATIONS:

- Enclosure Dimensions: 762mm x 1219mm x 610mm D (30.0 x 48.0 x 24.0 in. D)
- Shipping Weight: 240lbs. (109 kg.)

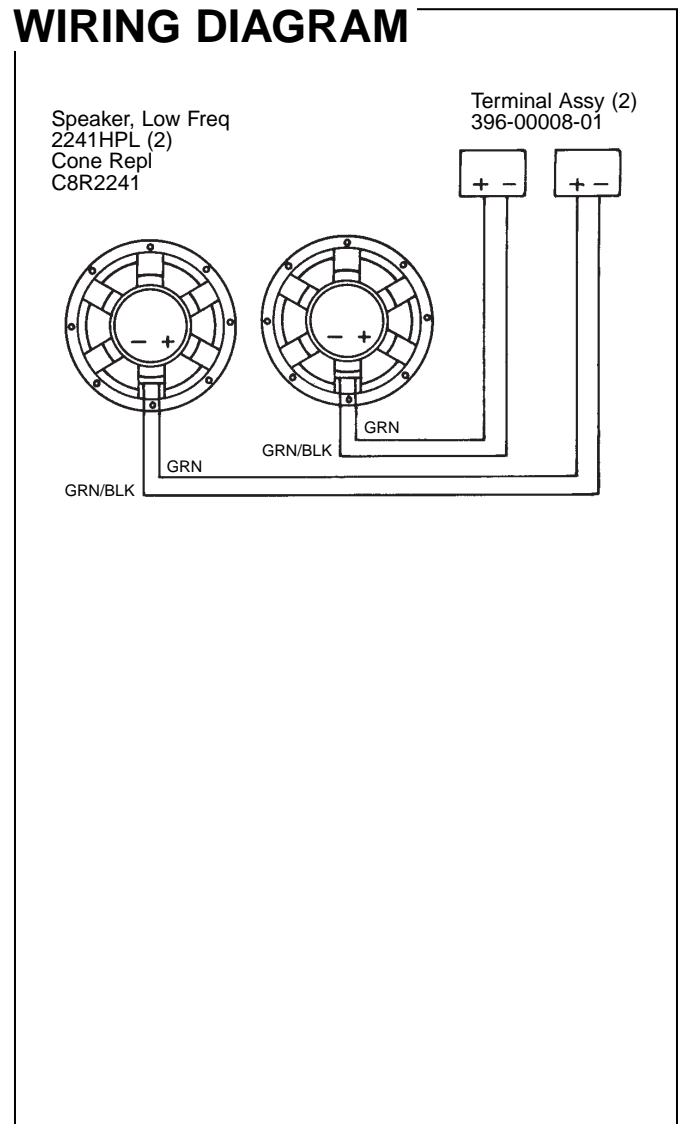
### WARRANTY INFORMATION:

- Refer to Warranty Statement packed with each product.

## PACKAGE

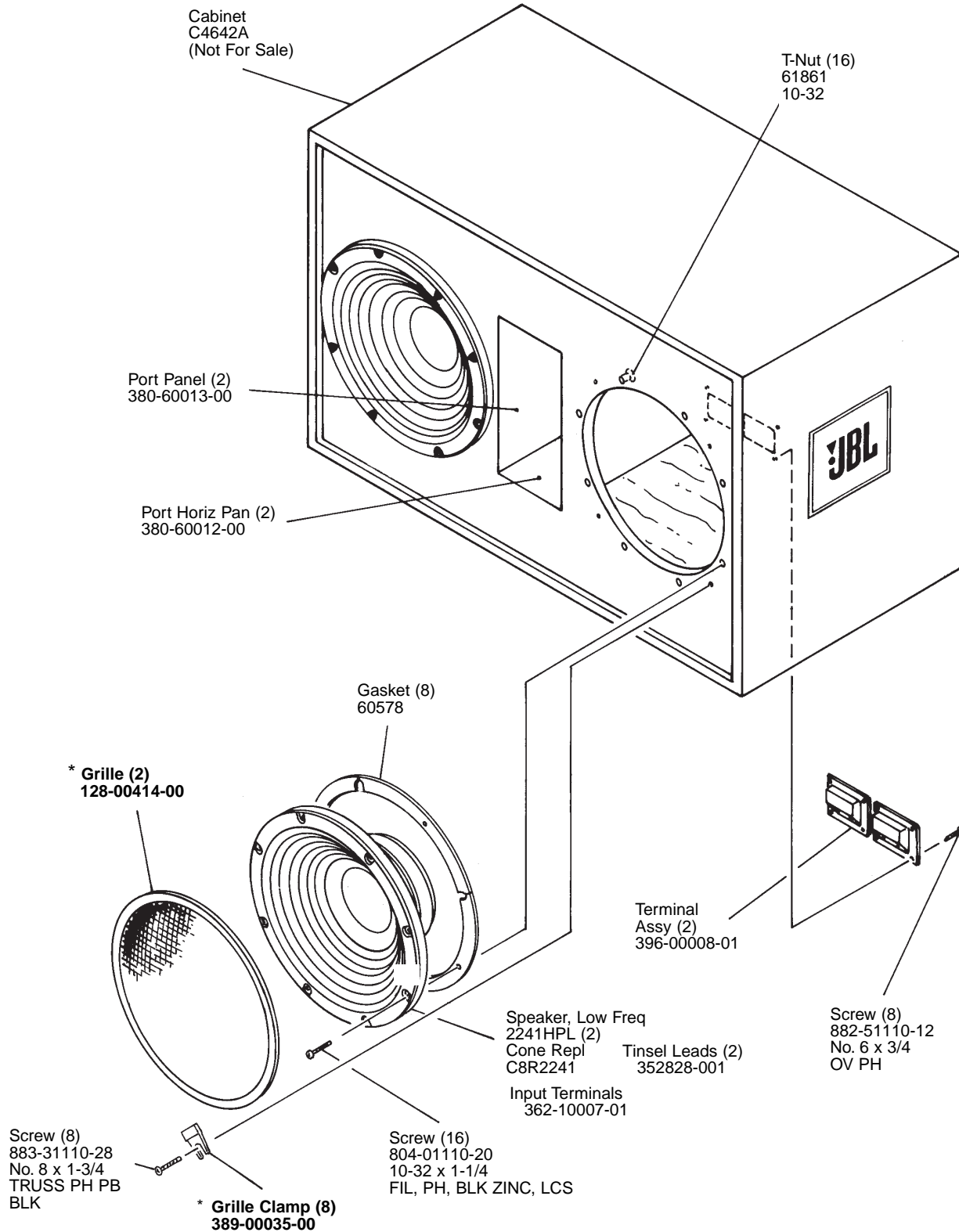


## WIRING DIAGRAM



# JBL 4642A/GS

## COMPONENT EXPLODED VIEW



\* NOTE:  
Grille Available on 4642A-GS Only

JBL4642A/GS