

Technical Manual

JBL3310

SPECIFICATIONS



ACOUSTIC & ELECTRICAL SPECIFICATIONS:

- Nominal Impedance: 8 ohm
- Power Capacity: 75W Continuous IEC Noise
- Frequency Range: 40 Hz to 20 kHz (-10dB)
- Sensitivity: 89 dB SPL*
- Crossover Frequency: 2.2 kHz

SYSTEM COMPONENTS:

- Cabinet: C3310
- Grille: G3310 (128-00020-00)
- Low Frequency Transducer: 200mm (8 in.) Cone Transducer (508G)
- DC Resistance: 5.9 ohm \pm 5% Copper Wire
- High Frequency Transducer: 25mm (1 in.) Pure Titanium Dome Transducer (027Ti)
- DC Resistance: 4 ohm \pm 10% Copper Wire

SYSTEM COMPONENTS: (cont'd)

- Crossover Network: (331153-001)

AURAL SWEEP TEST SPECIFICATIONS:

- A. System Aural Sweep Test: 7.0V Input, 40 Hz to 20 kHz
- B. L.F. Aural Sweep Test: 4.0V Input, 20 Hz to 1.2 kHz
- C. H.F. Aural Sweep Test: 2.0V Input, 2.0 kHz TO 20 kHz

PHYSICAL SPECIFICATIONS:

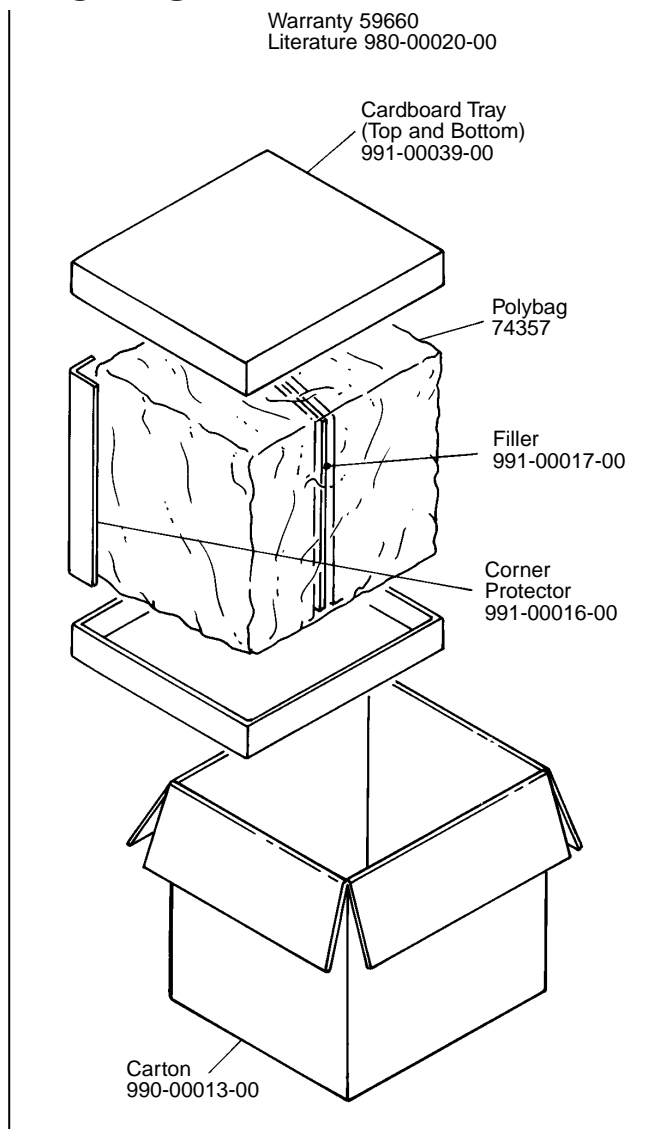
- Enclosure Dimensions: 445mm x 483mm x 275mm D (17.5 x 19.0 x 10.84 in. D)
- Shipping Weight: 66 lbs. (30 kg.) in Pairs

WARRANTY INFORMATION:

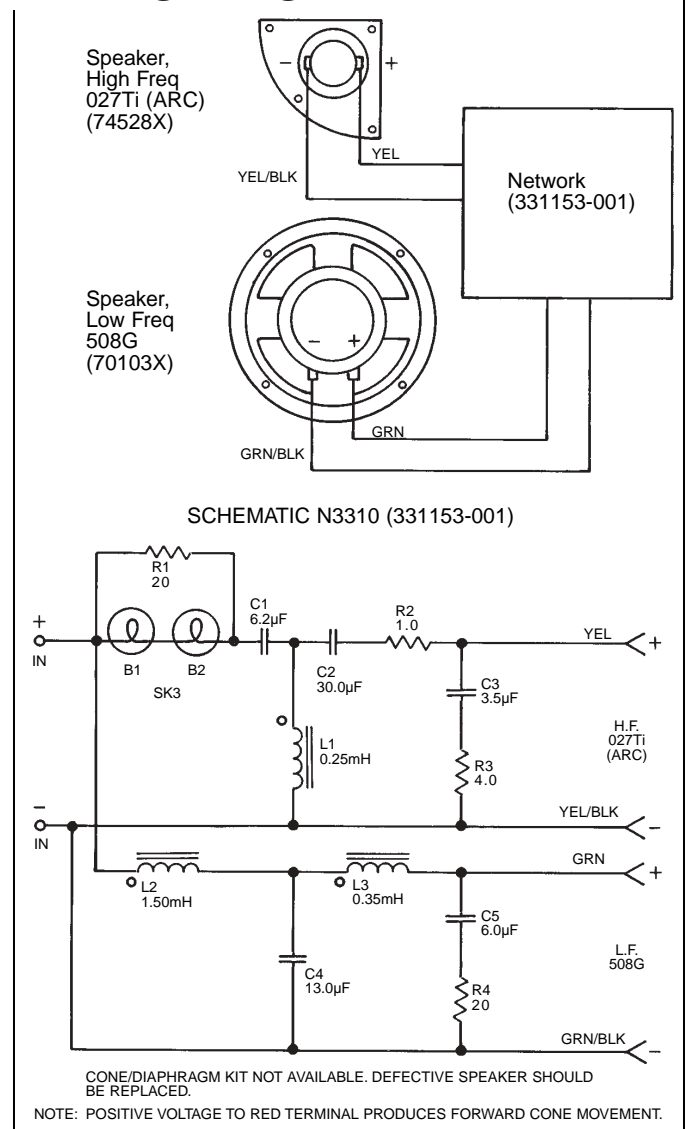
- Refer to Warranty Statement packed with each product.

*1 Watt (2.83 V RMS) @ 1 Meter

PACKAGE



WIRING DIAGRAM



JBL3310 REV E

JBL3310

COMPONENT EXPLODED VIEW

