

Technical Manual

JBL 2242H/HPL



SPECIFICATIONS

ACOUSTIC & ELECTRICAL SPECIFICATIONS:

- Nominal Impedance: 8 ohm
- Power Capacity: 800W
- Frequency Range: 25 Hz – 1.6 kHz
- Sensitivity: 99 dB SPL*
- Crossover Frequency: N/A

SYSTEM COMPONENTS:

- Cabinet: N/A
- Grille: N/A
- Low Frequency Transducer: 460mm (18 in.) Cone Transducer (2242H/HPL)
- DC Resistance: 4.7 ohm ±10% Aluminum Wire

AURAL SWEEP TEST SPECIFICATIONS:

- L.F. Aural Sweep Test: 10.0V Input, 20 Hz – 1.2 kHz

PHYSICAL SPECIFICATIONS:

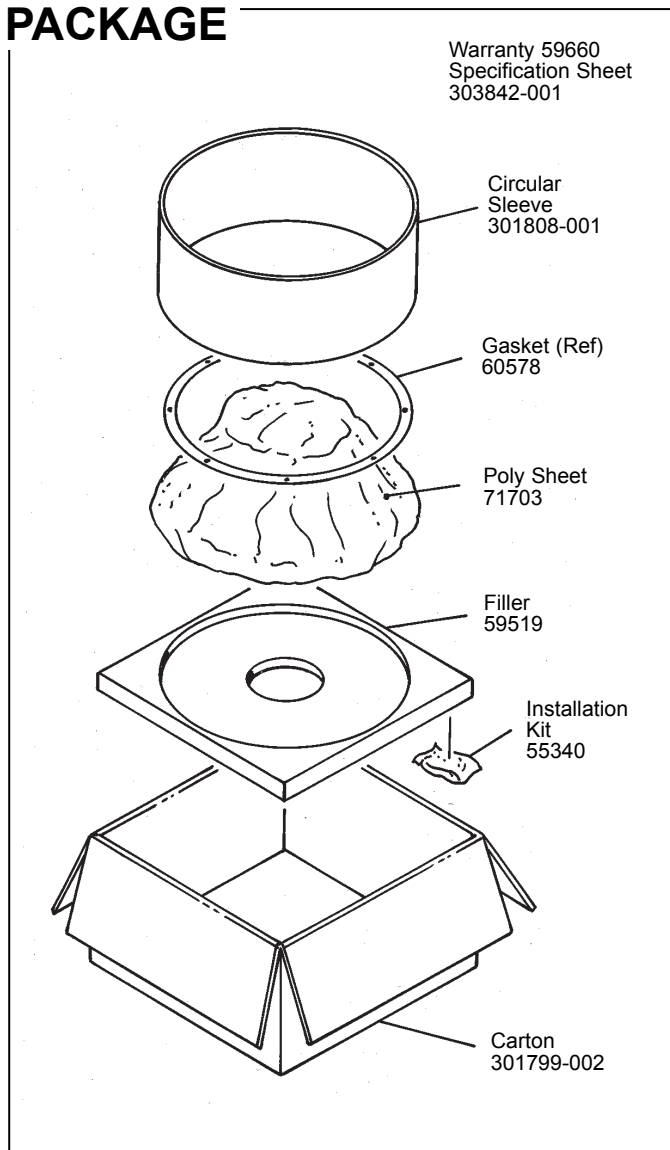
- Enclosure Dimensions: 464mm DIA x 210mm D (18.25 DIA x 8.25 in. D)
- Shipping Weight: 33 lbs. (15 kg.)

WARRANTY INFORMATION:

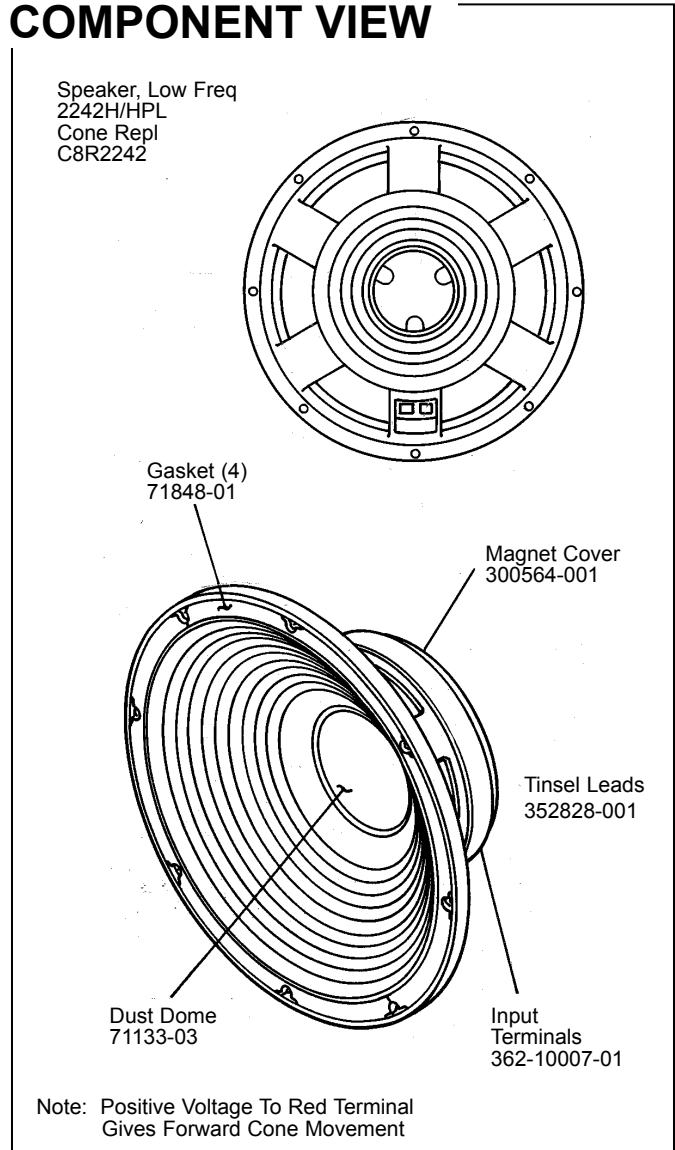
- Refer to Warranty Statement packed with each product.

*1 Watt (2.83 V RMS) @ 1 Meter

PACKAGE



COMPONENT VIEW

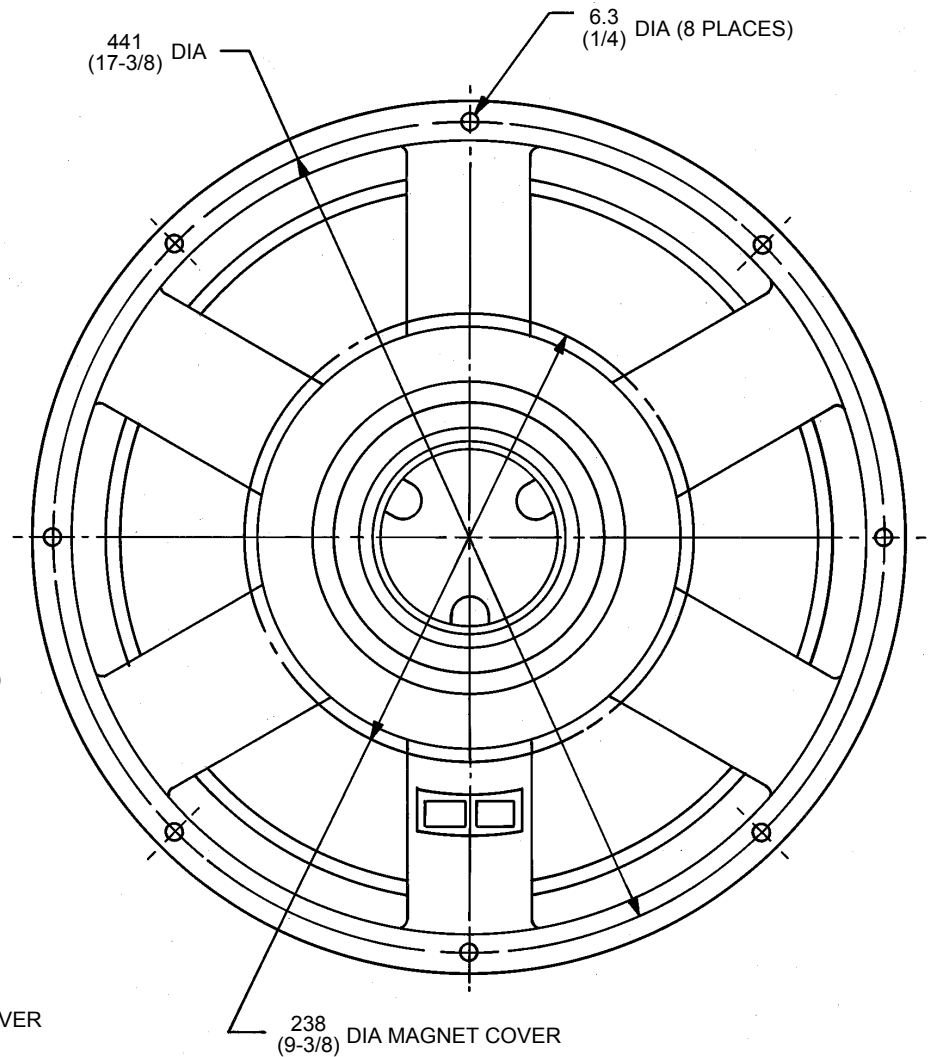
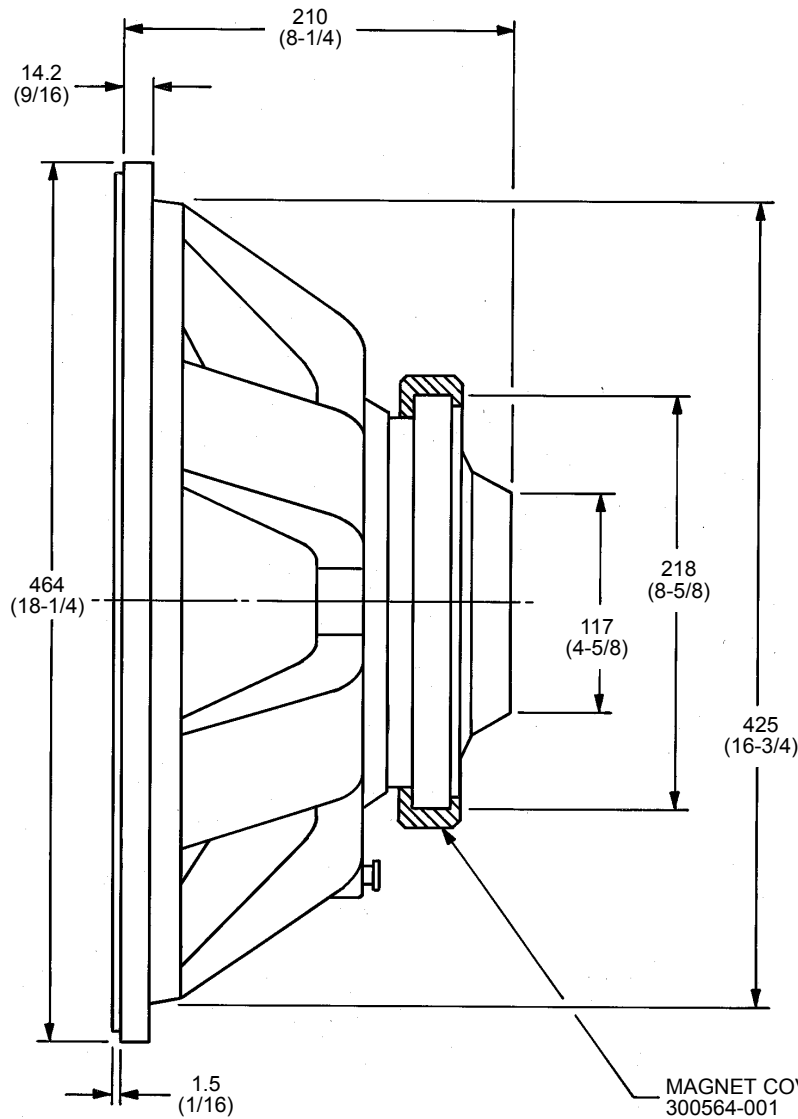


JBL 2242H/HPL REV C

JBL2242H/HPL

MECHANICAL DRAWING

THESE DRAWINGS AND SPECIFICATIONS ARE THE PROPERTY OF JBL INCORPORATED. THEY ARE ISSUED IN STRICT CONFIDENCE AND SHALL NOT BE REPRODUCED, COPIED, OR USED AS THE BASIS FOR MANUFACTURE OR SALE OF APPARATUS WITHOUT WRITTEN PERMISSION.



ALL DIMENSIONS ARE REF ONLY
NOTE: DIMENSIONS IN () ARE IN INCHES

JBL2242H/HPL