

Compact Desktop Reference Monitors with Bluetooth®



Master Monitor Spare Parts List - COMMON

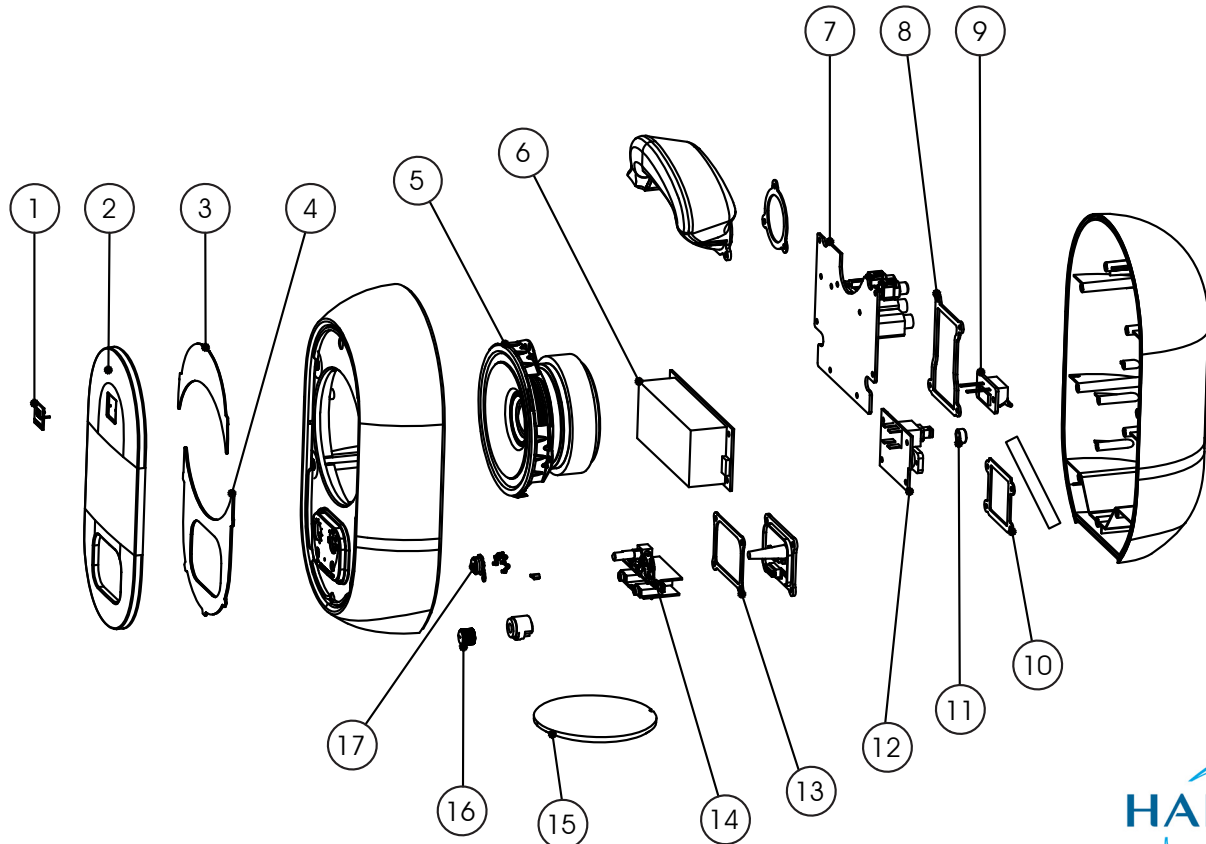
Ref ID	P/N	Description	Qty
1	5125223-00	HDW,LOGO,JBL PRO,J104SET-BT	1
5	5125218-00	XDCRELEC,XDCR,4 INCH COAXIAL,J104SET-BT	1
6	5123241-00	PCB,ASY,PSU,J104SET-BT	1
7	5123219-00	PCB,ASY,MAIN,J104SET-BT	1
8	5125283-00	HDW,GSKT,AMP,J104SET-BT	1
9	5125417-00	CON,TERMBLK,2PIN,BLK/RED,P13,Ni	1
10	5125284-00	HDW,GSKT,PSU,J104SET-BT	1
12	5123240-00	PCB,ASY,POWER I/O,J104SET-BT	1
13	5125285-00	HDW,GSKT,IO,J104SET-BT	1
	5125419-00	ANT,FPC,2.4/2.5GHz,2.24dBi,50R,BLK	1

Master Monitor Spare Parts List - BLACK

Ref ID	P/N	Description	Qty
2	5125267-00	SPKRSYS,GRL,MASTER,J104SET-BT	1
3	5125273-00	LBL,PRNT,FRNT,BAF,TOP,J104SET-BT	1
4	5125274-00	LBL,PRNT,FRNT,BAF,BOT,MASTER,J104SET-BT	1
11	5125270-00	HDW,SWCAP,PBTN,PWR,J104SET-BT	1
14	5123239-00	PCB,ASY,I/O,J104SET-BT	1
15	5125272-00	HDW,FT,RBR,J104SET-BT	1
16	5125271-00	HDW,SWCAP,KNOB,J104SET-BT	1
17	5127445-00	HDW,SWCAP,PBTN,SOURCE,J104SET-BT	1

Master Monitor Spare Parts List - WHITE

Ref ID	P/N	Description	Qty
2	5126817-00	SPKRSYS,GRL,MASTER,J104SET-BT-W	1
3	5126818-00	LBL,PRNT,FRNT,BAF,TOP,J104SET-BT-W	1
4	5126819-00	LBL,PRNT,FRNT,BAF,BOT,MASTER,J104SET-BT-W	1
11	5126820-00	HDW,SWCAP,PBTN,PWR,J104SET-BT-W	1
14	5135933-00	PCB,ASY,I/O,J104SET-BT-W,WH	1
15	5126821-00	HDW,FT,RBR,J104SET-BT-W	1
16	5126822-00	HDW,SWCAP,KNOB,J104SET-BT-W	1
17	5127446-00	HDW,SWCAP,PBTN,SOURCE,J104SET-BT-W	1



Compact Desktop Reference Monitors with Bluetooth®

Extension Monitor Spare Parts List - COMMON			
Ref ID	P/N	Description	Qty
1	5125223-00	HDW,LOGO,JBL PRO,J104SET-BT	1
5	5125218-00	XDCRELEC,XDCR,4 INCH COAXIAL,J104SET-BT	1
6	5125417-00	CON,TERMBLK,2PIN,BLK/RED,P13,NI	1

Extension Monitor Spare Parts List - WHITE			
Ref ID	P/N	Description	Qty
2	5126824-00	SPKRSYS,GRL,PASSIVE,J104SET-BT-W	1
3	5126818-00	LBL,PRNT,FRNT,BAF,TOP,J104SET-BT-W	1
4	5126825-00	LBL,PRNT,FRNT,BA,BOT,EXT,J104SET-BTW	1
7	5126821-00	HDW,FT,RBR,J104SET-BT-W	1

Power Cords	
Region	P/N
AU	5127568-00
EU	5127570-00
US	5127571-00
UK	5127572-00
KR	5127573-00
JP	5127574-00
CN	5127578-00

Extension Monitor Spare Parts List - BLACK			
Ref ID	P/N	Description	Qty
2	5125221-00	SPKRSYS,GRL,PASSIVE,J104SET-BT	1
3	5125273-00	LBL,PRNT,FRNT,BAF,TOP,J104SET-BT	1
4	5125266-00	LBL,PRNT,FRNT,BAF,BOT,EXT,J104SET-BT	1
7	5125272-00	HDW,FT,RBR,J104SET-BT	1

