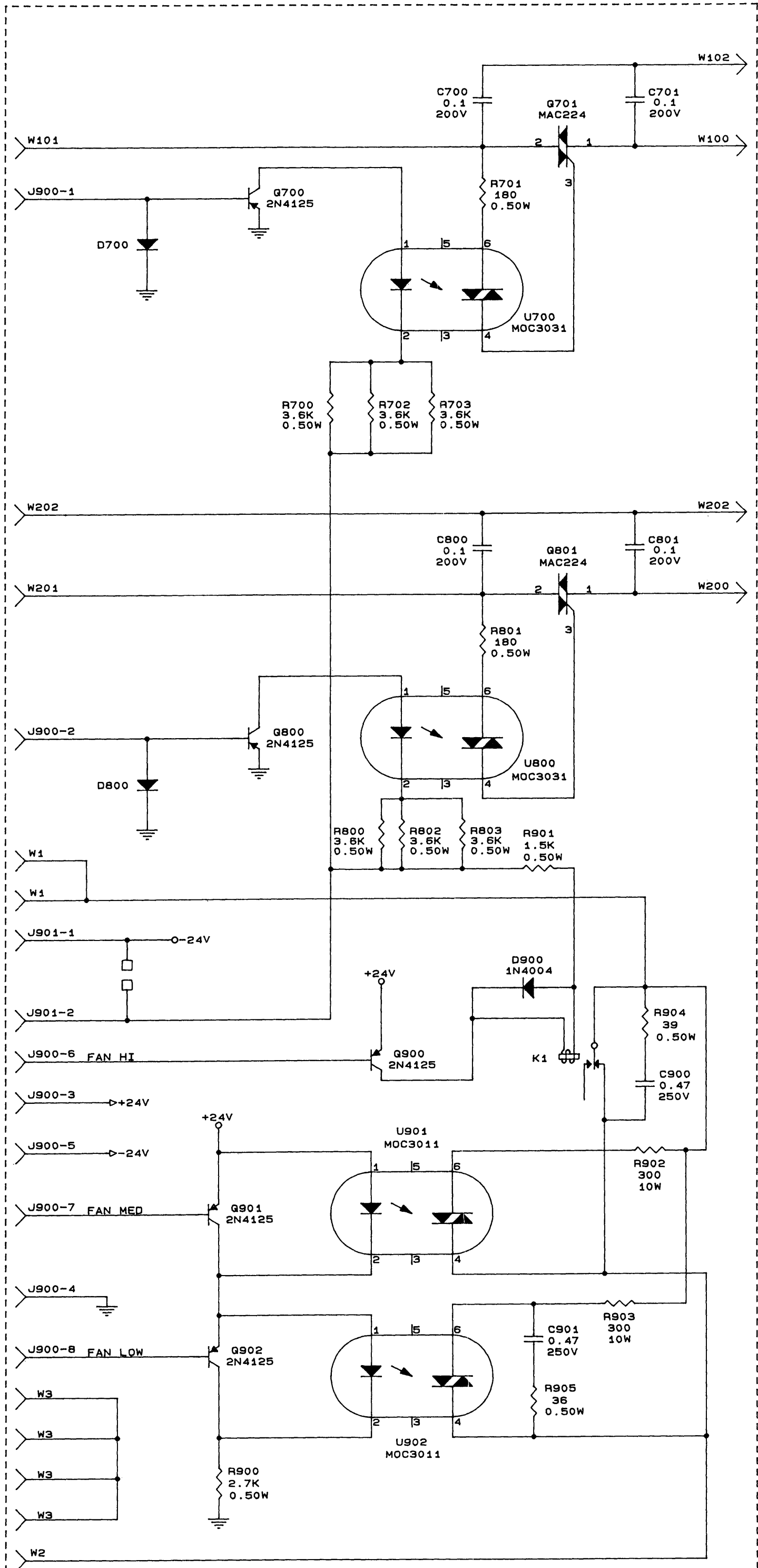
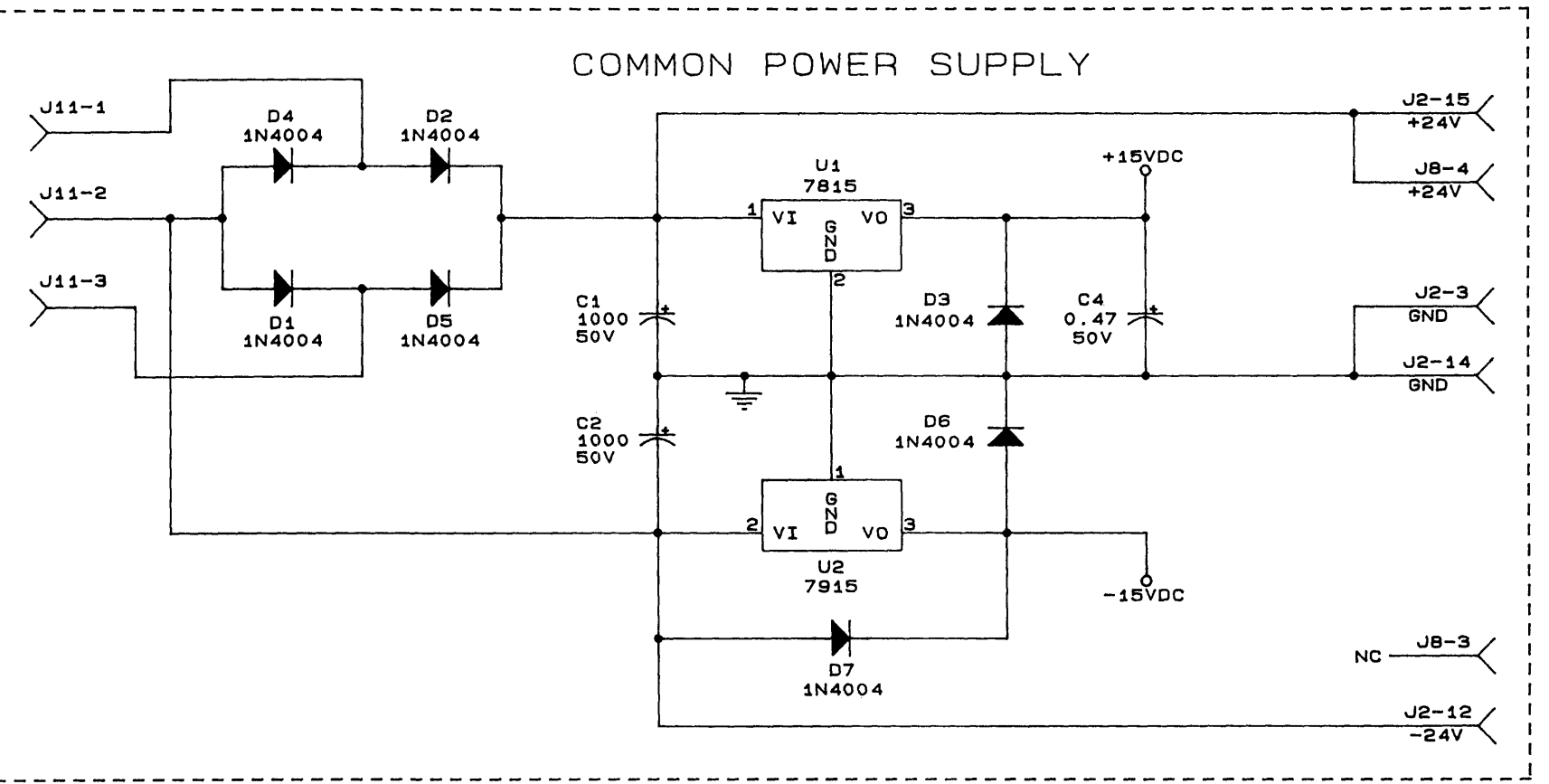
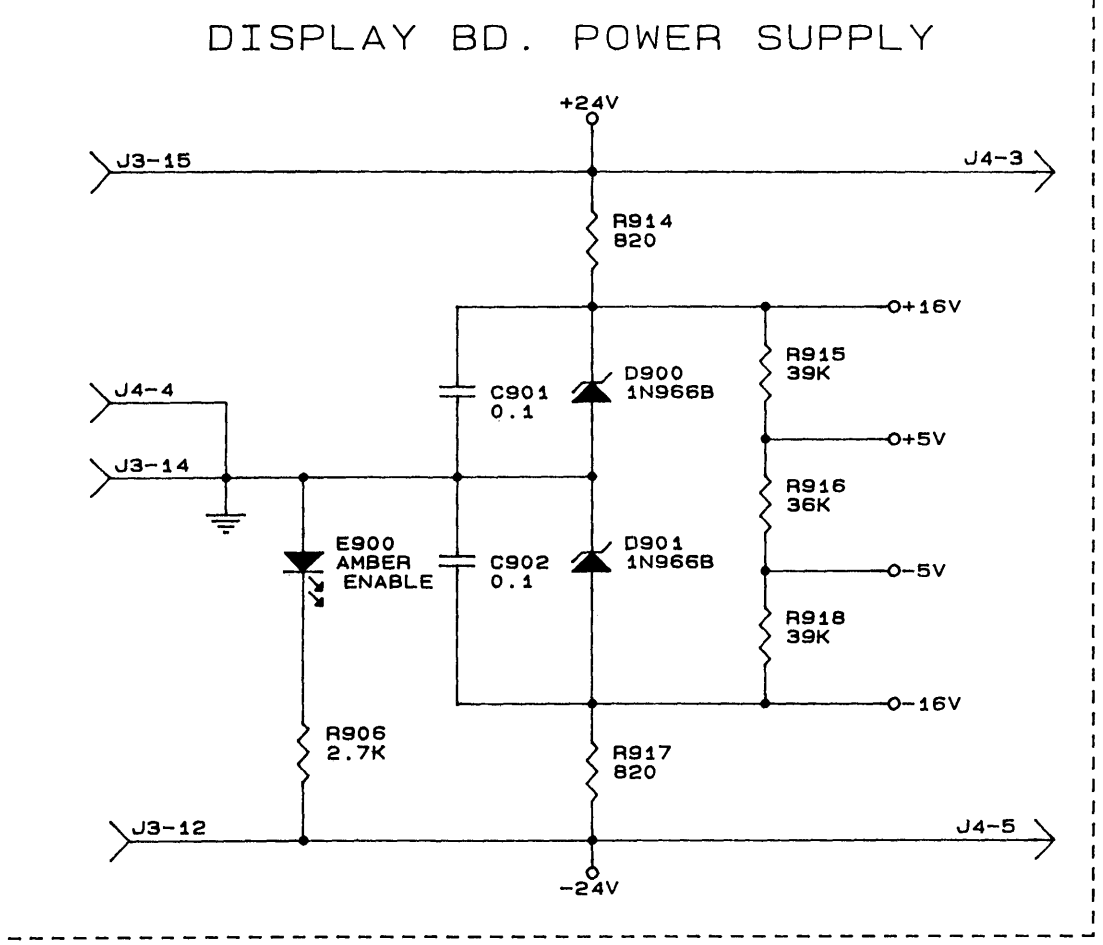
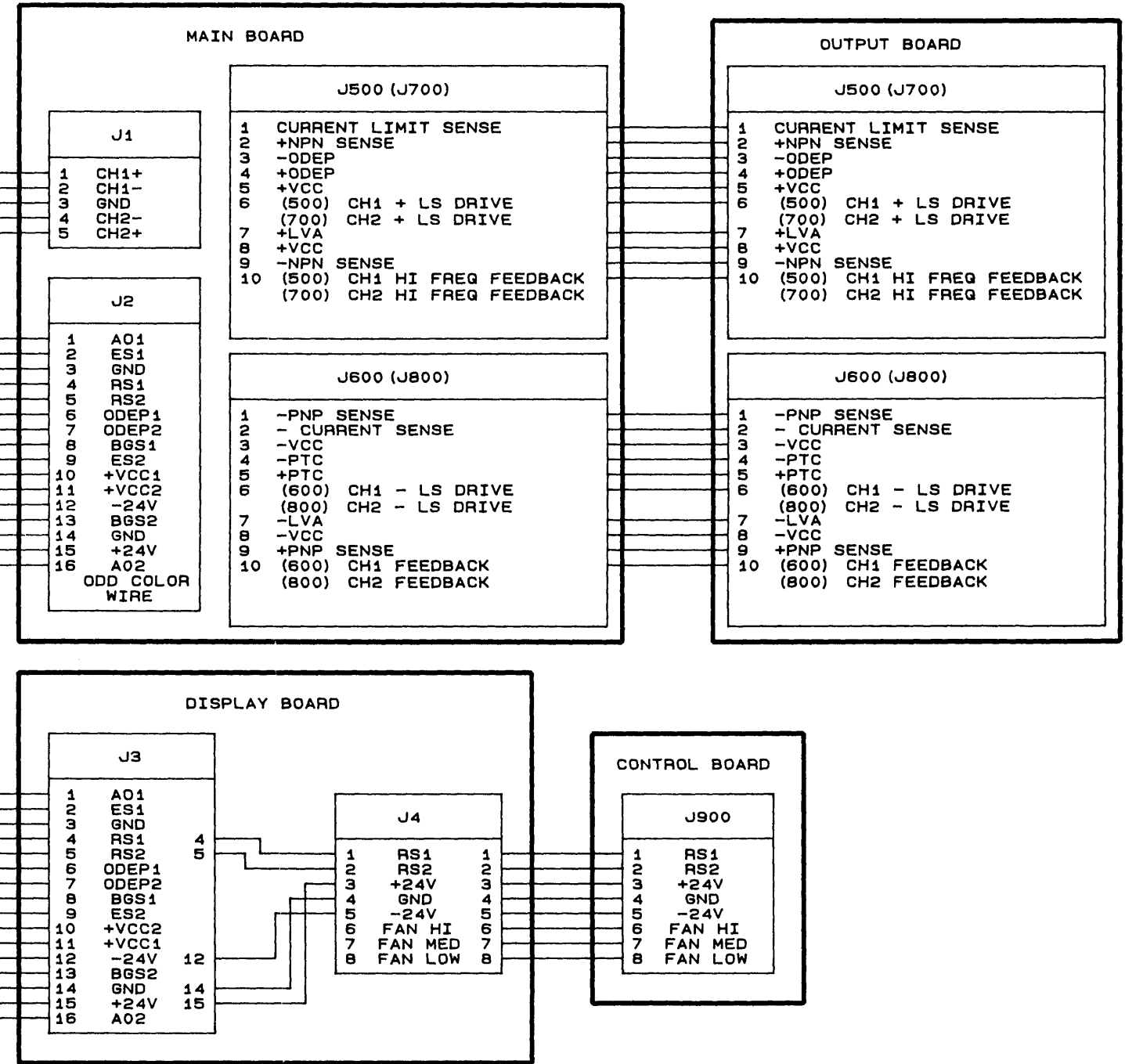
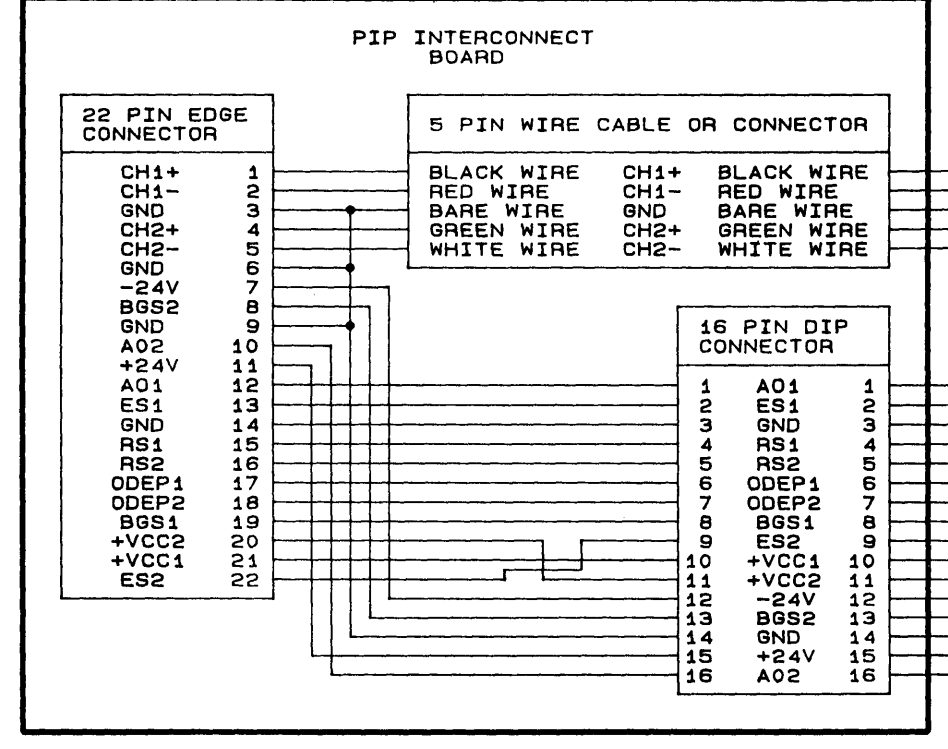
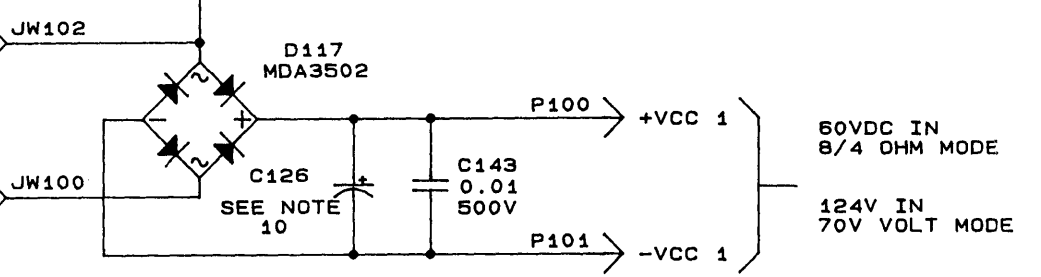


POWER CONTROL BOARD



SEE PAGE THREE FOR APPROPRIATE INPUT WIRING



CHANNEL 1

| LAST USED | OBSOLETE |
|-----------|---|
| C157 | C102, 121, 125, 127, 128, 131, 132, 142 |
| C343 | C300, 310-342 |
| D132 | D100-107, 116, 118, 119 |
| D312 | D300 |
| L302 | |
| N102 | N100 |
| PTC301 | |
| Q124 | Q04, 111, 114 |
| Q319 | Q300, 302, 304, 306, 308, 311, 313, 315 |
| R199 | R169, 172, 178 |
| R340 | R303, 305, 306, 308, 315, 317, 318, 320 |
| | R331-334 |
| R921 | |
| S100 | |
| U104 | |

COMMON

| LAST USED | OBSOLETE |
|-----------|--------------------|
| CB1 | |
| C7 | C1-6 |
| C701 | |
| C801 | |
| C901 | |
| D700 | |
| D800 | |
| D900 | |
| K1 | |
| M1 | |
| Q701 | |
| Q801 | |
| Q902 | |
| R18 | R2, 3, 5, 6, 11-15 |
| R701 | |
| R801 | |
| R905 | |
| S4 | S2 |
| U700 | |
| U800 | |
| U902 | U900 |

INACTIVE
For Reference Use Only

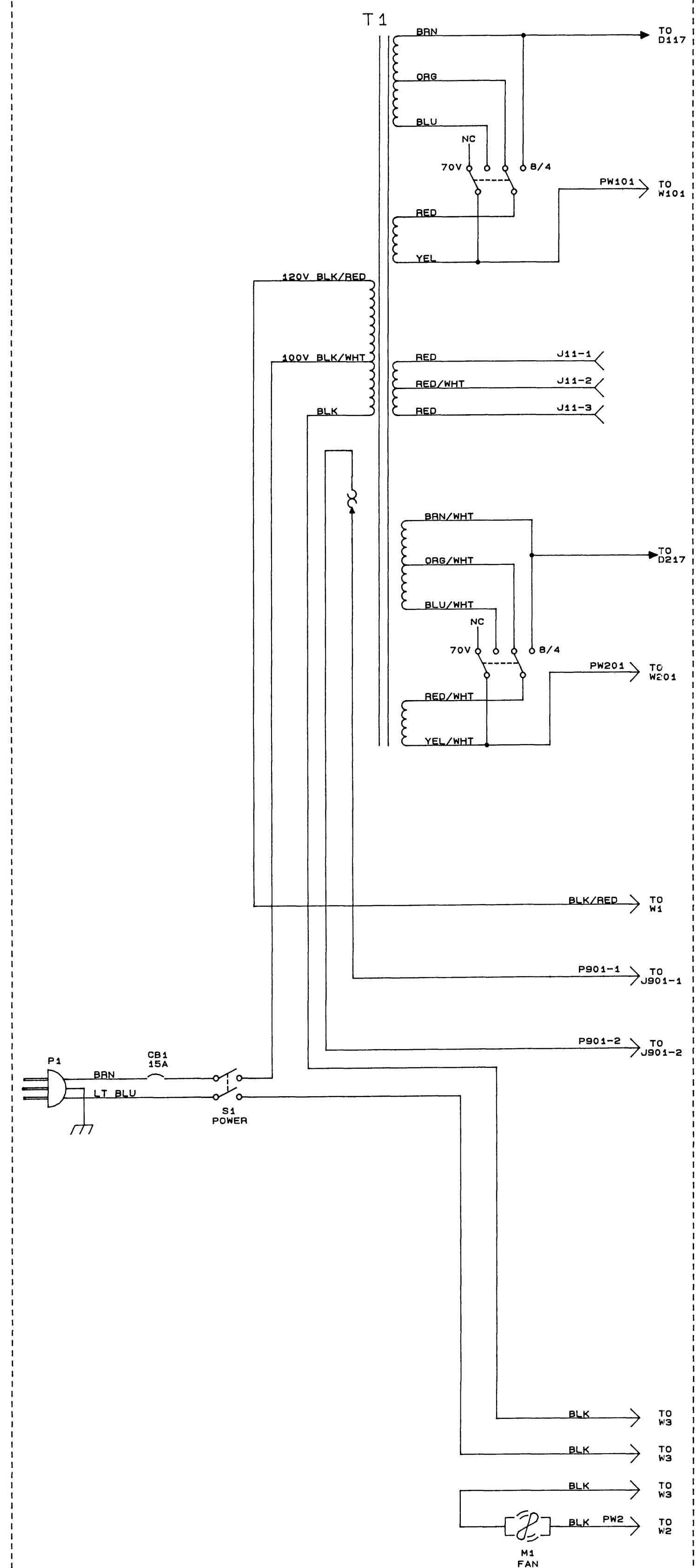
CROWN INTERNATIONAL, INC.
1718 WEST MISHAMAKA ROAD ELKHART, IN. 46517 PHONE (219) 294-8000

SCHMATIC; CT-400

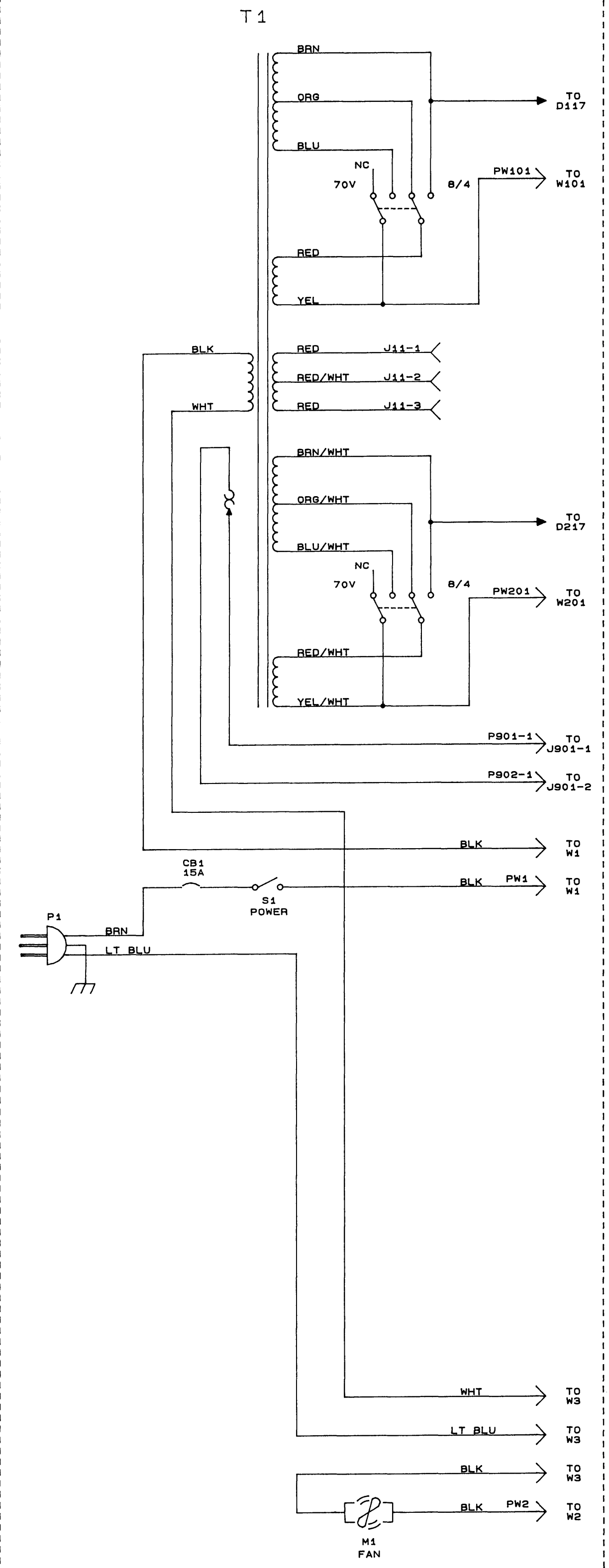
| | | | |
|---------------|-------|---------------|--------------------------|
| PRINTS TO | SCALE | APPROVED BY : | DO NOT SCALE PRINT |
| G | NONE | ME | SUPERSEDES J0631-2 REV.B |
| DRAWN | EE | TS | E.C.N. |
| CHECKED | PE | TS | C.P.N. |
| PROJ # | D323 | 01/20/94 | SH #2 OF 3 |
| NEXT ASSEMBLY | | | J0631-2 |

| E.C.N. | ZONE | REV | DESCRIPTION | DATE | BY | APPROVALS |
|--------|------------|-----|---|----------|-----|-----------|
| | C5, C10 D7 | A | CORRECT CIRCUIT BREAKER VALUES | 02/01/94 | LCD | TS |
| | | B | REVISED CONTROL BD. "G" DOC. NUMBER. | 05/02/94 | TLM | TS |
| | | C | INTERNATIONAL WAS EXPORT 120V 60HZ WAS NORTH AMERICA R145, 155, 245, 255 WERE 2, 2M | 12/29/94 | LCD | TS |

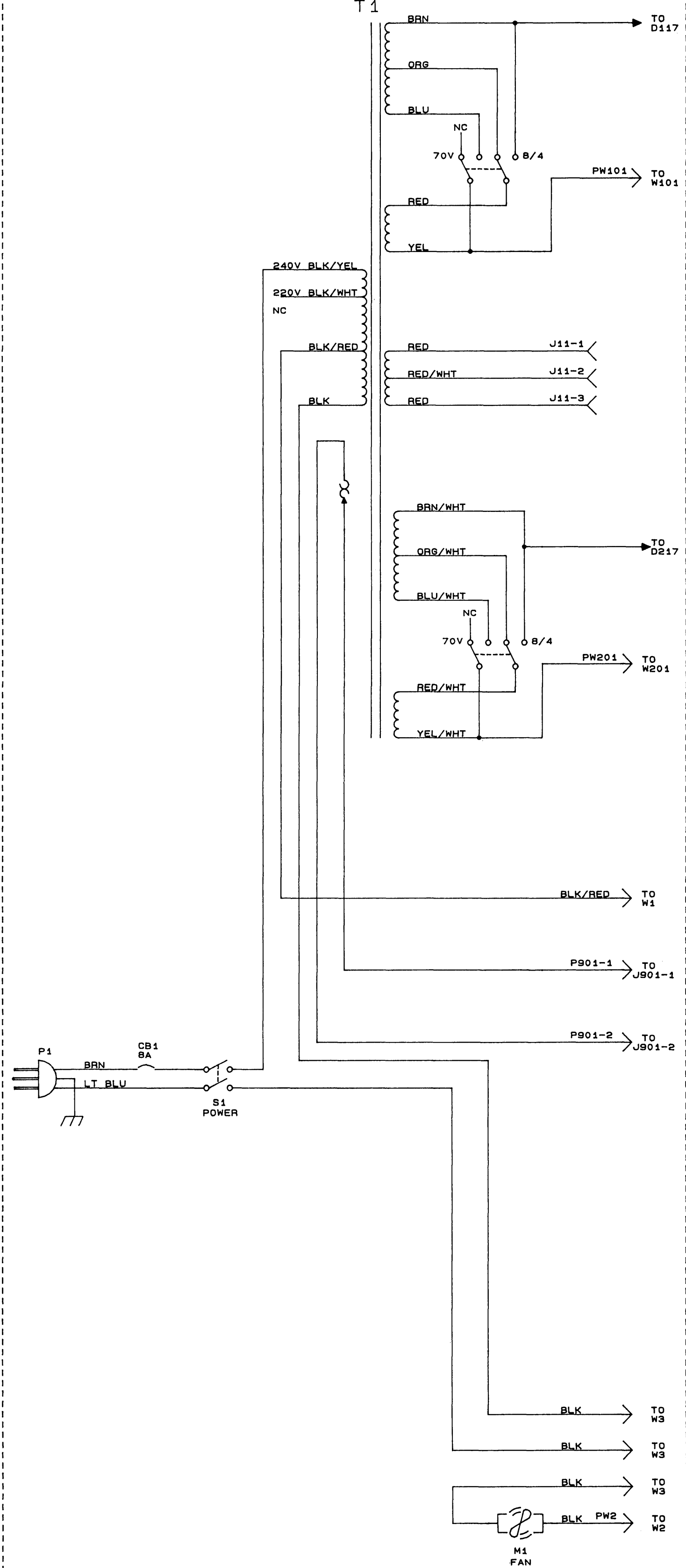
INTERNATIONAL 100V WIRING SHOWN



120V 60HZ



INTERNATIONAL 240V WIRING SHOWN



- NOTES:
- ALL RESISTORS ARE IN OHMS, 1/4W, 5% UNLESS OTHERWISE SPECIFIED.
 - ALL CAPACITORS ARE IN MICROFARADS UNLESS OTHERWISE SPECIFIED.
 - CHANNEL 1 SHOWN. FOR CHANNEL 2 ADD 100 TO REFERENCE DESIGNATORS. (EXAMPLE: CHANNEL 1 R101 WOULD BE CHANNEL 2 R201.) CONNECTOR AND IC PIN NUMBERS FOR CHANNEL 2 ARE SHOWN IN PARENTHESIS WHEN THEY DIFFER FROM CHANNEL 1.
 - ALL DIODES ARE 1N4148 UNLESS OTHERWISE SPECIFIED.
 - ON J500 AND J700 THE STRIPED WIRE GOES TO PIN 10 OF THE BOARD AND THE PIN NUMBERS MOLDED ON THE CABLE SOCKET ARE REVERSED FROM THE PIN NUMBERS ON THE BOARD AND THE SCHEMATIC.
 - STANDARD UNIT HAS R10 OPEN. INSTALL JUMPER IN R10 TO DISABLE CHANNEL 2 SIGNAL INDICATOR LIGHT IN PARALLEL MONO MODE.
 - POWER SUPPLY VOLTAGES SHOWN UNDER NO LOAD CONDITION.
 - CHANNEL 2 PRE-DRIVER BASES LOOP THROUGH STEREO-MONO SWITCH S4, SECTIONS E AND F.
 - THIS SCHEMATIC REVISION APPLIES TO:
 - 120V 60HZ
 - CONTROL BOARD P10405-2 / Q43242-9 REV. A
 - MAIN BOARD D8369-7 / Q43298-7 REV. C
 - DISPLAY BOARD D7083-5 / Q42706-4
 - OUTPUT BOARD P10396-3 / Q43188-4
 - C126 AND C226 ARE:
 - 120V 60HZ INTERNATIONAL
 - 6300MF 200VDC 6300MF 135VDC

INACTIVE
For Reference Use Only

CROWN INTERNATIONAL, INC.
1718 WEST MISHAMAKA ROAD ELKHART, IN. 46517 PHONE (219) 294-8000

SCHEMATIC; CT-400

| | | | | | | |
|-----------|---|---------------|------|----------|---------------|---------------------------|
| PRINTS TO | 6 | DRAWN | LCD | 01/18/94 | APPROVED BY : | DO NOT SCALE PRINT |
| | | CHECKED | | | ME | SUPERSEDES J0631-2 REV. B |
| | | SCALE | NONE | | EE | E.C.N. |
| | | PROJ # | D323 | PE | TS | 01/20/94 |
| | | NEXT ASSEMBLY | | | | C.P.N. SH #3 OF 3 |
| | | | | | | J0631-2 |